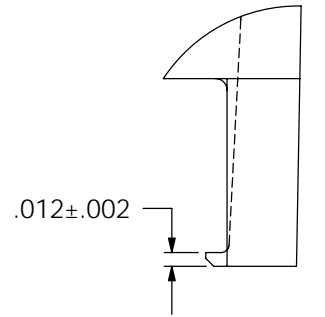
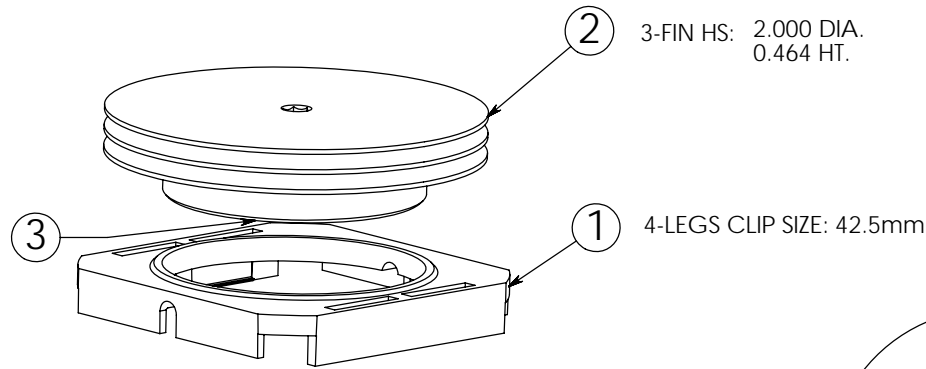
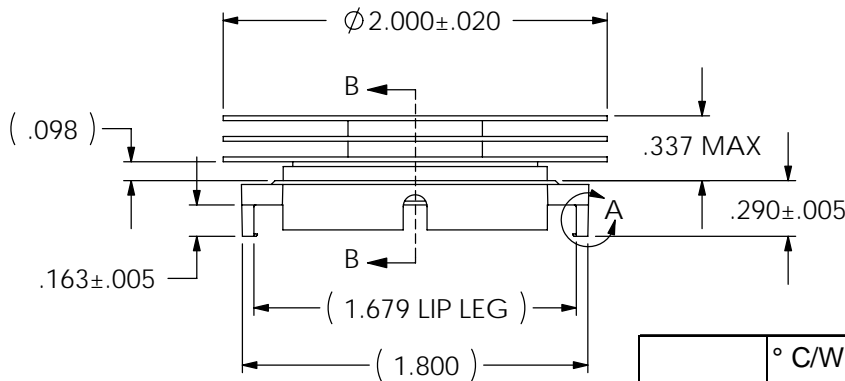


REVISION(S)

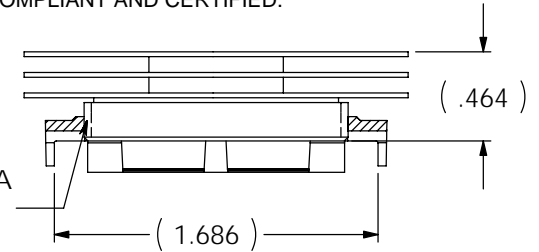
LTR	DESCRIPTION	INIT	APP'D
O	ECN: 0S60-0249-04	E.T 10/11/04	B.P 10/13/04
A	ECR-06-021171	E.T 9/6/06	V.K 9/6/06



DETAIL A
SCALE = 6X



1 3/8 - 27 UNS - 2A
THREAD



SECTION B-B

Power	° C/W @ Ambient	° C/W @ 200 LFM	° C/W @ 400 LFM	° C/W @ 600 LFM
5 Watts	8.78	4.22	2.75	2.18
10 Watts	8.07	4.43	2.61	2.06
15 Watts	7.62	4.26	2.60	2.03

CUSTOMER DRAWING

SPECIFICATIONS ARE SUBJECT TO CHANGE WITHOUT NOTICE

ITEM	DESCRIPTION	QTY
1	MOUNTING CLIP	1
2	HEAT SINK	1
3	INTERFACE	1

tyco / Electronics Attleboro Falls Massachusetts 02763

UNLESS OTHERWISE SPECIFIED TOLERANCES ARE:

DRAWN BY:	E.TAO	DATE:	10/11/04
ENGINEER:	B.PETROCELLI	DATE:	10/13/04
FILENAME:	PROJECT:	SYSTEM:	

MATERIAL: SEE NOTE
FINISH: SEE NOTE

CONFIDENTIAL PROPERTY OF TYCO ELECTRONICS. NOT TO BE DISCLOSED TO OTHERS. REPRODUCED OR USED FOR ANY PURPOSES EXCEPT AS AUTHORIZED IN WRITING BY AN AUTHORIZED OFFICIAL OF TYCO. MUST BE RETURNED TO TYCO ON DEMAND, ON COMPLETION OF ORDERS OR OTHER PURPOSES FOR WHICH LENT.

TITLE: **42.5mm HEATSINK ASSEMBLY (HTS572-U)**

DIMENSIONS ARE IN: INCHES	SCALE: 1:1	PART NO: 4-1542003-4	SHEET: 1 OF 1
THIRD ANGLE PROJECTION	SIZE: A	DWG. NO. C-4-1542003-4	REV: A