
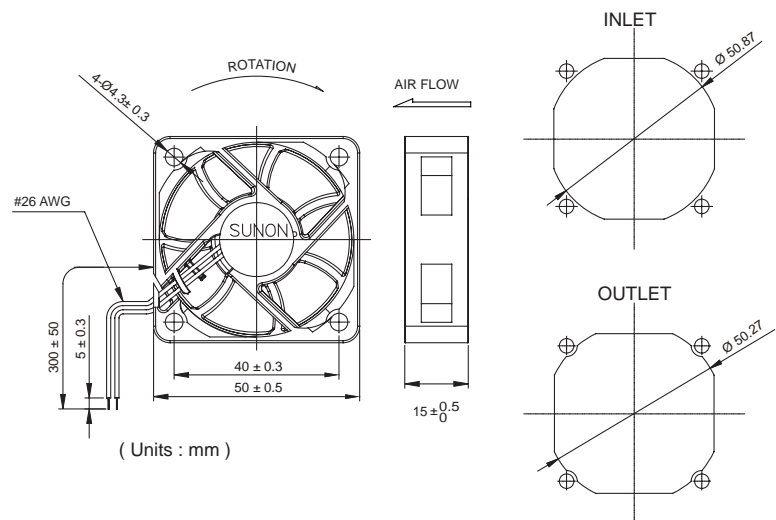
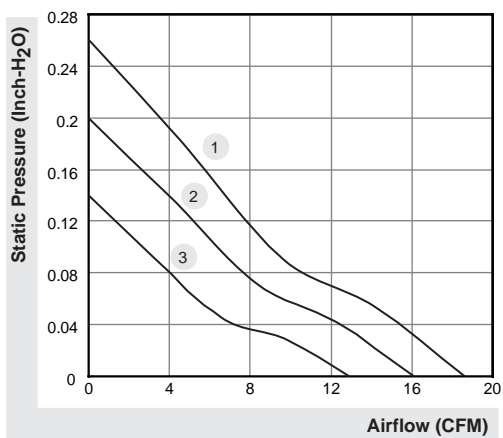


50x50x15 mm

12.9~18.6 CFM



	Bearing	Rating Voltage (VDC)	Power Current (mA)	Power Consumption (WATTS)	Speed (RPM)	Air Flow (CFM)	Static Pressure (Inch-H ₂ O)	Noise (dBA)	Weight (g)	Curve
	● VAPO									
ME50151V1-000U-A99	●	12	145	1.74	7000	18.6	0.26	40.1	27.6	1
ME50151V2-000U-A99	●	12	125	1.50	6100	16.1	0.20	36.0	27.6	2
ME50151V3-000U-A99	●	12	65	0.78	4900	12.9	0.14	30.1	27.6	3
ME50152V1-000U-A99	●	24	95	2.28	7000	18.6	0.26	40.1	27.6	1
ME50152V2-000U-A99	●	24	80	1.92	6100	16.1	0.20	36.0	27.6	2



*All model could be customized. Please contact with Sunon Sales.

*Specifications are subject to change without notice. Please Visit SUNON web site at <http://www.sunon.com> for update information.