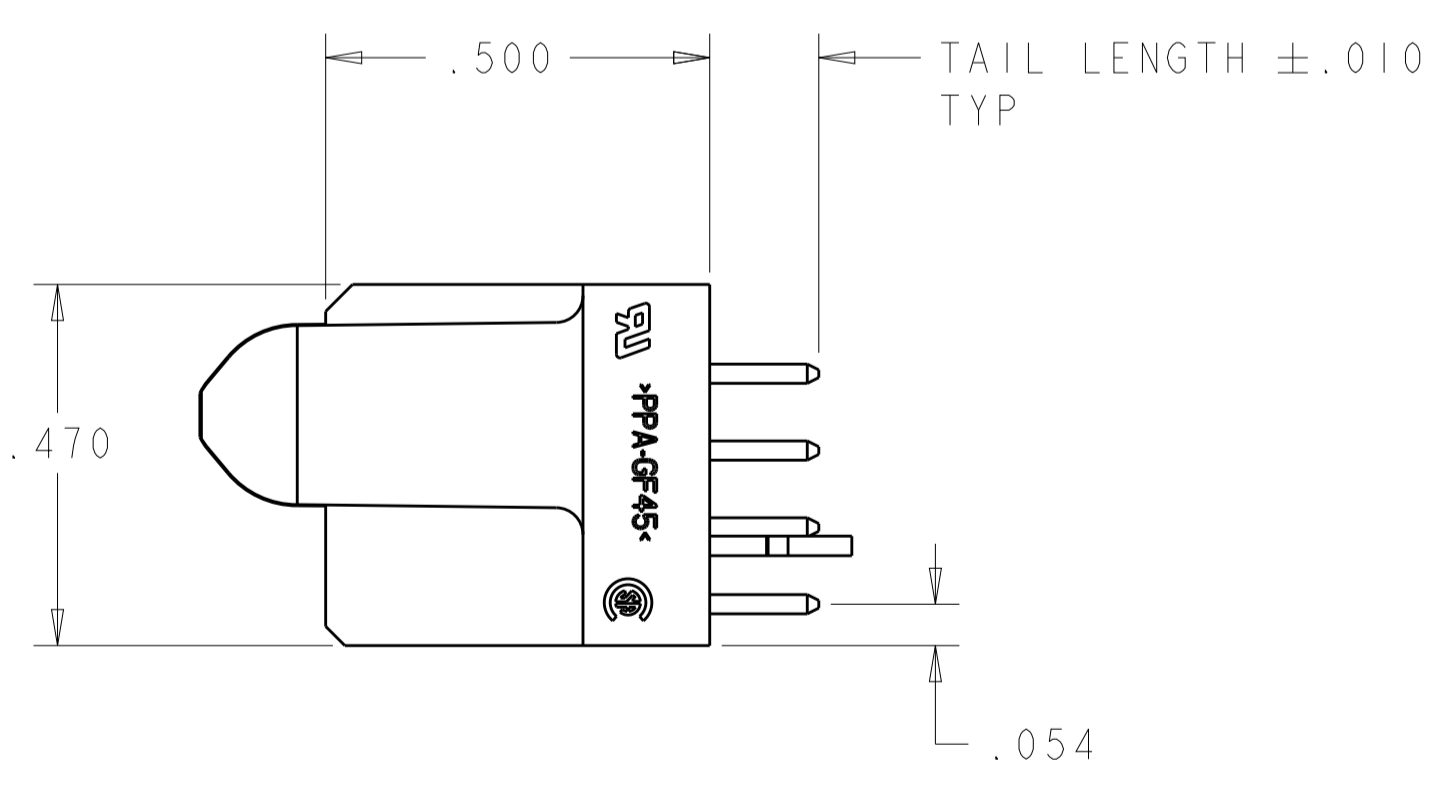
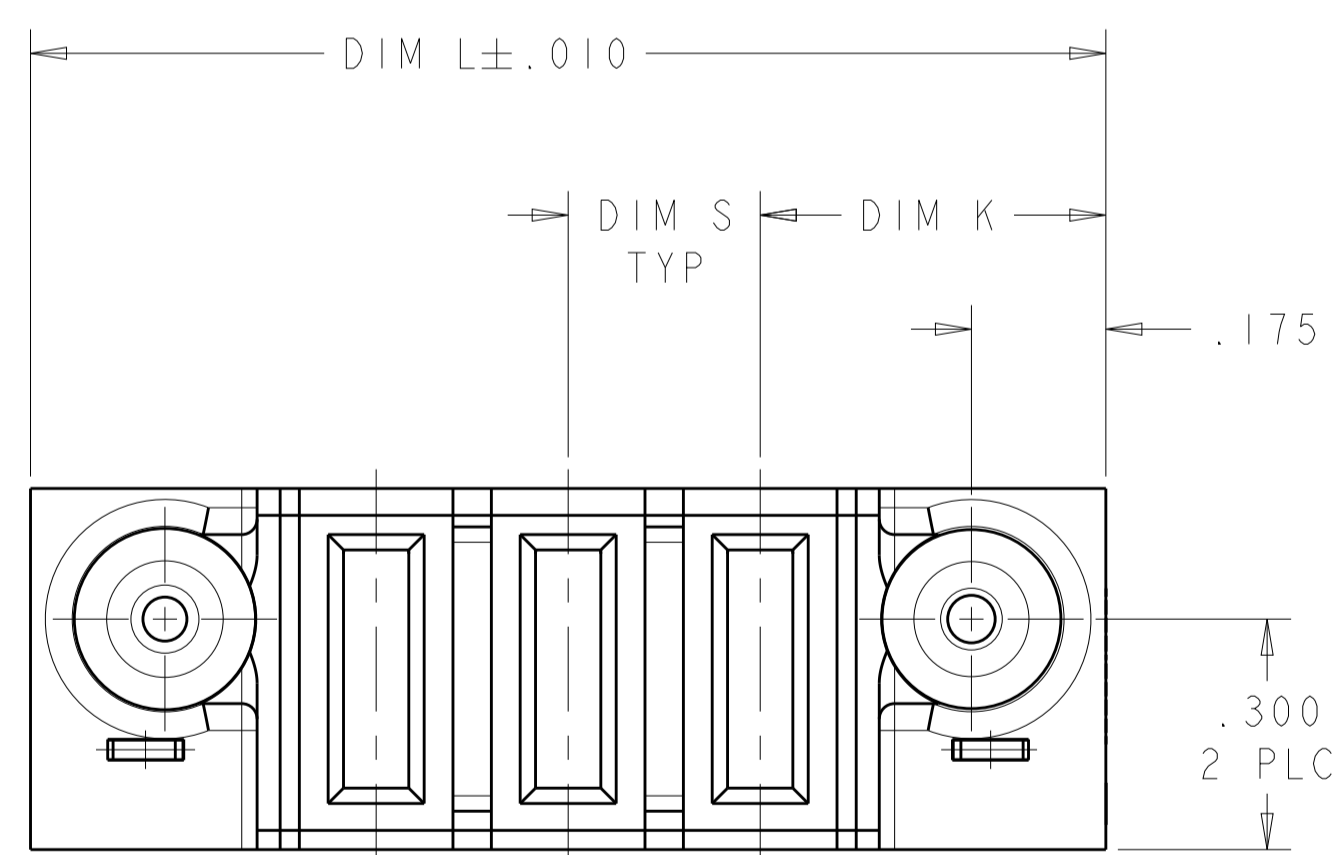
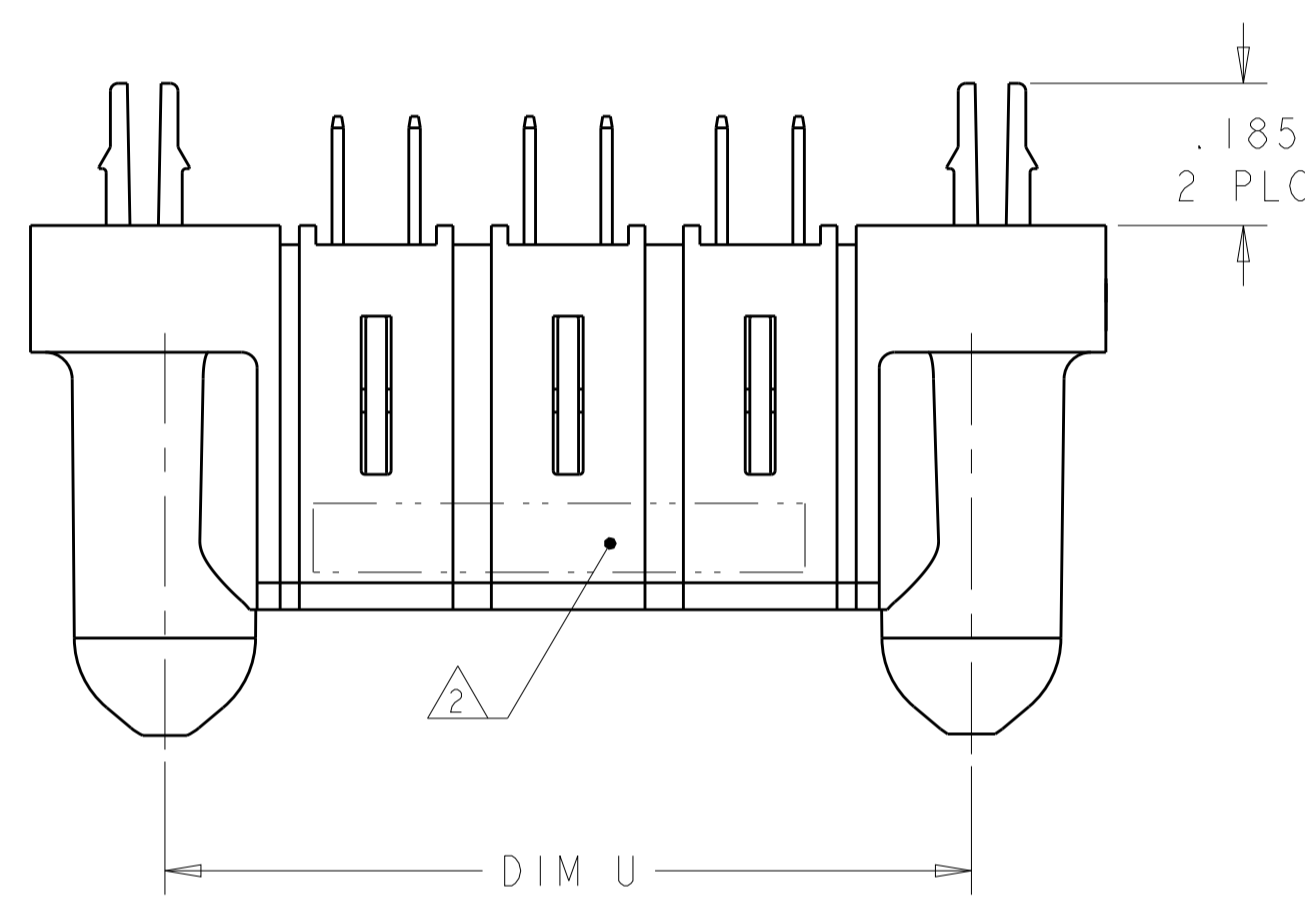
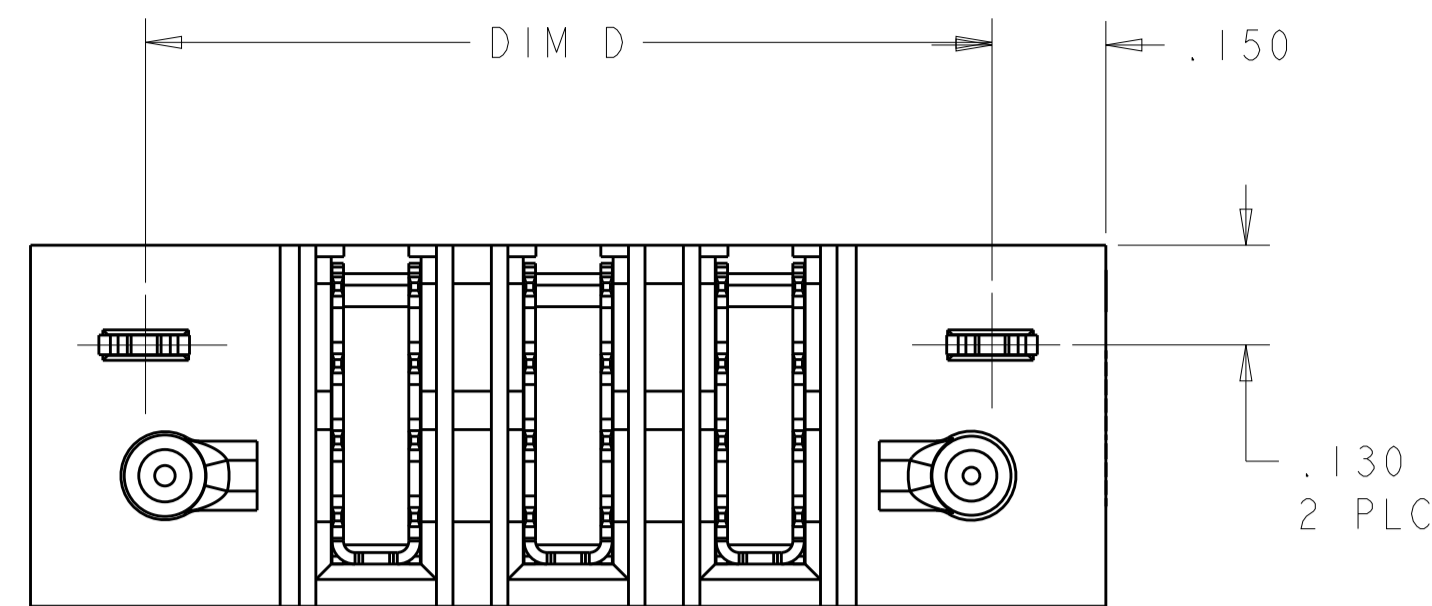


LOC	DIST	REVISIONS			
P	LTN	DESCRIPTION	DATE	DMN	APVD
A2		ADD NEW PART -4	28NOV2012	AY	SZ



- ⚠ AMP, PART NUMBER, AND DATE CODE TO BE MARKED IN AREA SHOWN PARTS UNDER 2.00 LONG MAY BE MARKED ON BOTH SIDES
- ⚠ MATERIAL: HOUSING - GLASS FILLED HIGH TEMP THERMO PLASTIC, UL94 V-0 POWER CONTACT - HIGH CONDUCTIVITY COPPER ALLOY
- ⚠ CONTACT PLATING: NOBLE METAL PLATING ON CONTACT FUNCTIONAL AREA OF POWER AND SIGNAL CONTACTS
- ⚠ MECHANICAL CONNECTOR KEEP OUT ZONE
- ⚠ DATUM AND BASIC DIMENSIONS ESTABLISHED BY CUSTOMER
- ⚠ PCB: ALL HOLE DIAMETERS ARE FINISHED HOLE SIZES
- ⚠ PCB: .0453 +/- .0010 DRILLED HOLES PLATED WITH .000300 MIN Sn OVER .000100-.000300 PLATING TO ACHIEVE A .040 HOLE

DIM U	DIM S	DIM D	DIM L	DIM K	DESCRIPTION	PART NUMBER
2.050	.250	2.100	2.400	.450	7P	6450143-4
1.800	.250	1.850	2.150	.450	6P	6450143-3
1.300	.250	1.350	1.650	.450	4P	6450143-2
1.050	.250	1.100	1.400	.450	3P	6450143-1

THIS DRAWING IS A CONTROLLED DOCUMENT. DWN: R.GRZYBOWSKI 15FEB05  
 CHK: M.PERCHEKKE 15FEB05  
 APVD: M.PERCHEKKE

**STE** TE Connectivity

NAME: VERTICAL RECEPTACLE ASSEMBLY WITH GUIDES MULTI-BEAM XL  
 PRODUCT SPEC: 108-1973  
 APPLICATION SPEC: 114-13038  
 WEIGHT: -  
 CUSTOMER DRAWING

DIMENSIONS: INCHES  
 TOLERANCES UNLESS OTHERWISE SPECIFIED:  
 0 PLC ±.  
 2 PLC ±.01  
 3 PLC ±.005  
 4 PLC ±.0020  
 ANGLES ±.7°

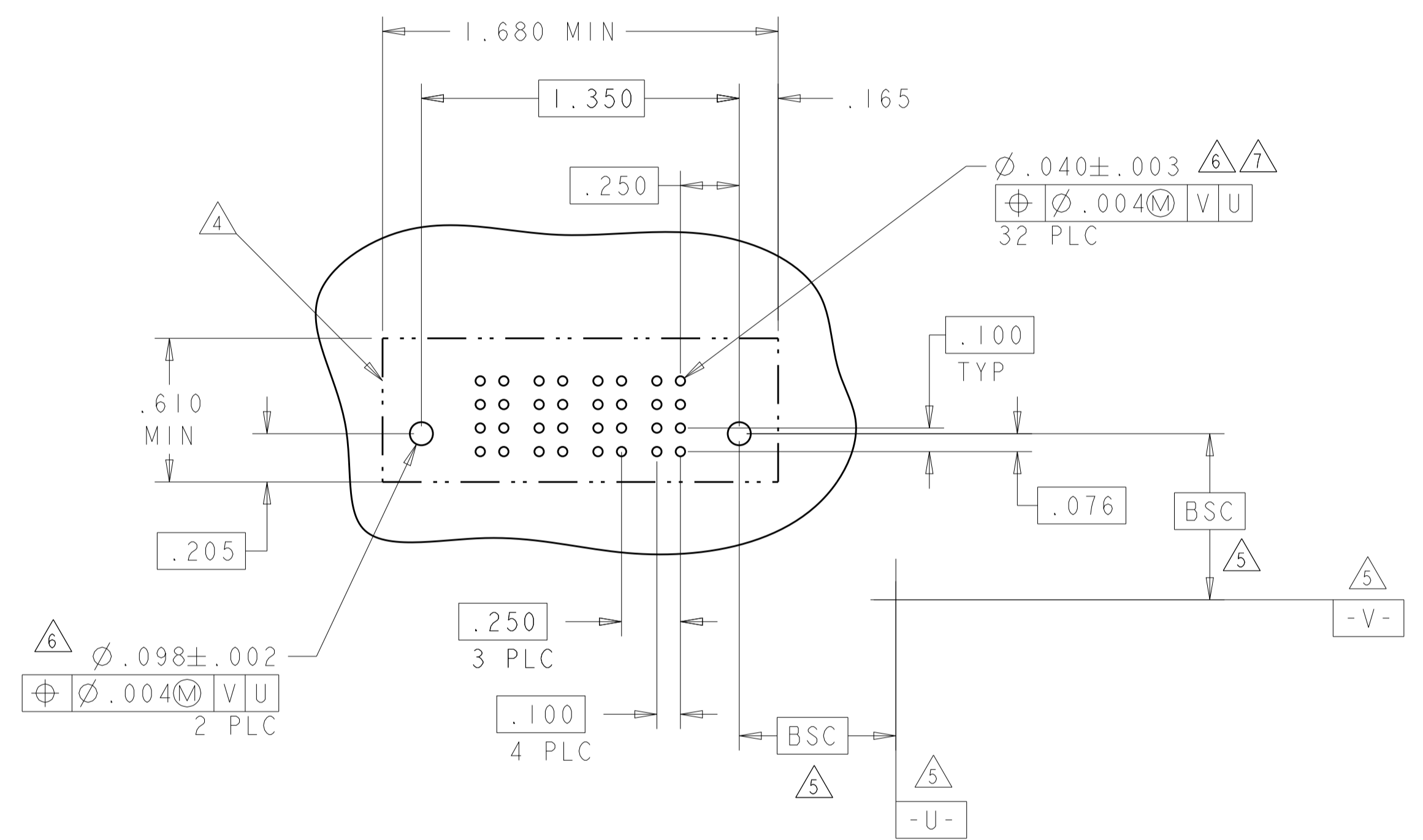
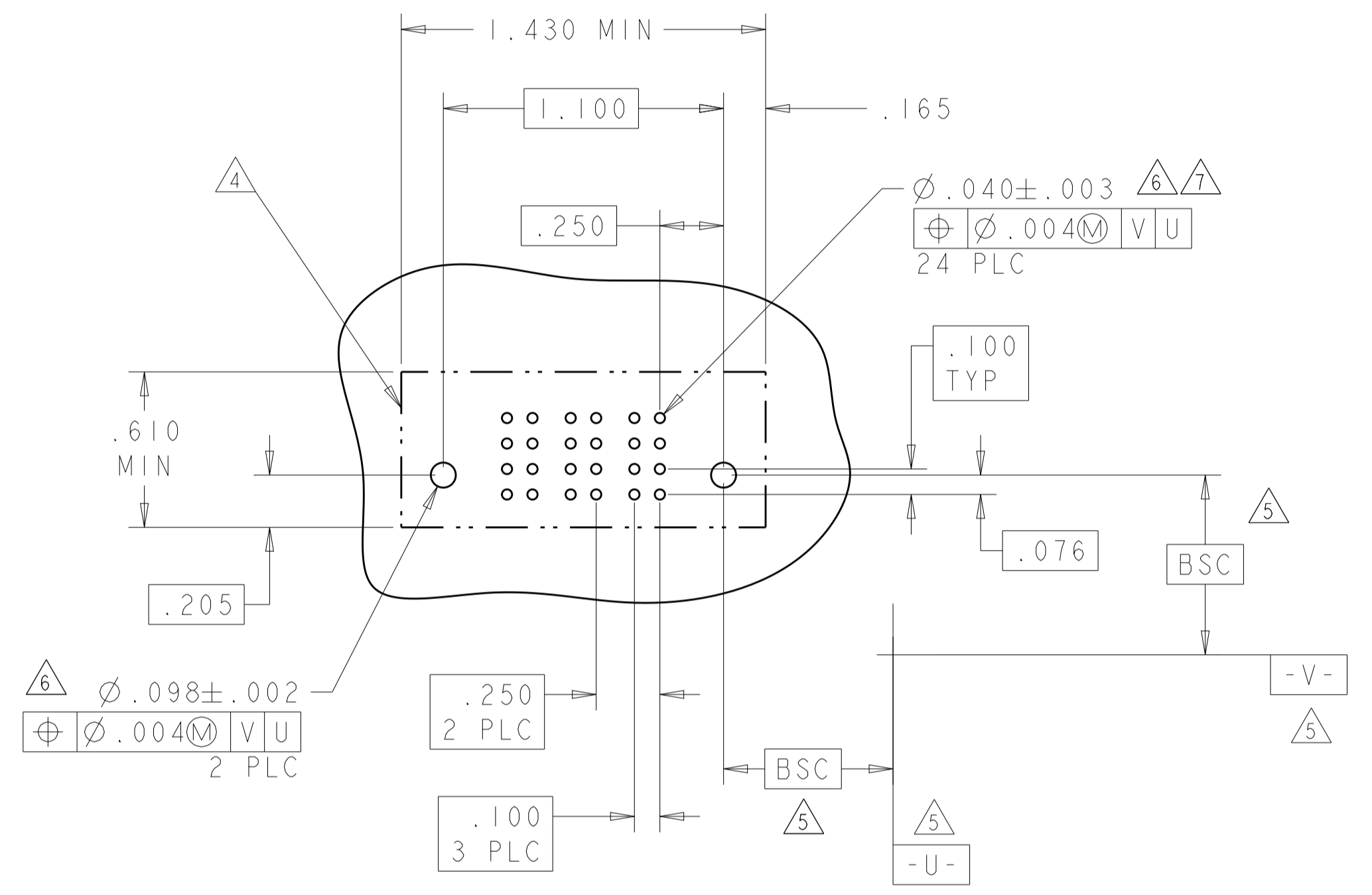
FINISH: ⚠

SIZE: A1  
 CAGE CODE: 6450143  
 DRAWING NO: 100779  
 SCALE: 1:1  
 SHEET: 1 OF 4  
 REV: A2

LOC	DIST	REVISIONS			
P	LTN	DESCRIPTION	DATE	DWN	APVD
-	-	SEE SHEET 1	-	-	-

PART NUMBER	ROWS	POWER		
		P3	P2	P1
6450143-1	D	VA	VA	VA
	C	VA	VA	VA
3P		HD	HD	HD

PART NUMBER	ROWS	POWER			
		P4	P3	P2	P1
6450143-2	D	VA	VA	VA	VA
	C	VA	VA	VA	VA
4P		HD	HD	HD	HD



CODE	TAIL LENGTH	DESCRIPTION
VA	.135	MFBL
VM	.135	STD
POWER CONTACT		

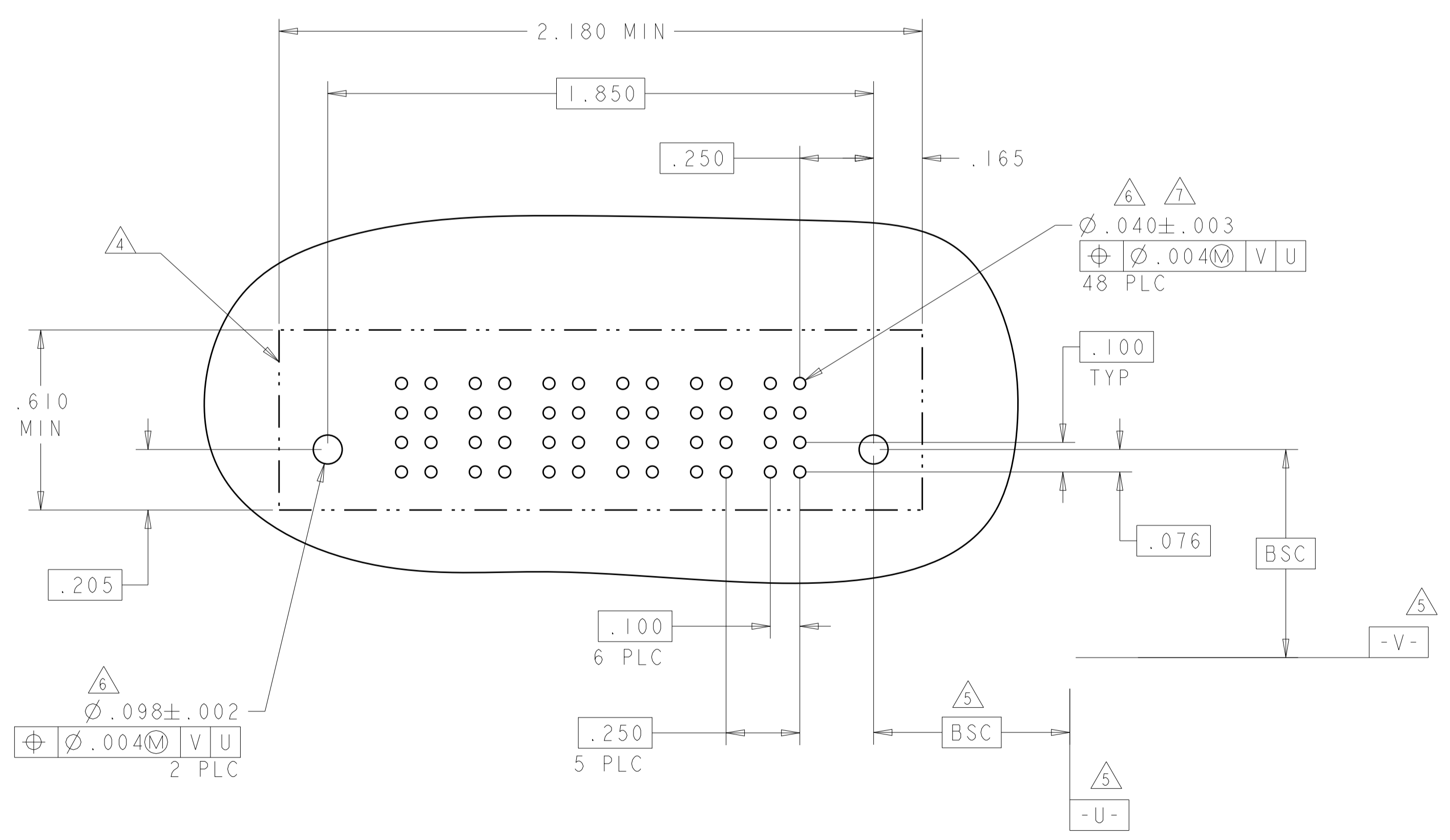
THIS DRAWING IS A CONTROLLED DOCUMENT. DWN: R. GRZYBOWSKI 15FEB05  
 CHK: M. PERCHERKE 15FEB05  
 APVD: M. PERCHERKE

DIMENSIONS: INCHES	TOLERANCES UNLESS OTHERWISE SPECIFIED:	NAME	RESTRICTED TO
	0 PLC ±. 1 PLC ±.01 2 PLC ±.01 3 PLC ±.005 4 PLC ±.0020 ANGLES ±.2°	PRODUCT SPEC 108-1973 APPLICATION SPEC 114-13038 WEIGHT CAGE CODE DRAWING NO A100779C=6450143	SCALE 1:1 SHEET 2 OF 4 REV A2

CUSTOMER DRAWING

LOC	DIST	REVISIONS			
P	LTN	DESCRIPTION	DATE	DMN	APVD
-	-	SEE SHEET 1	-	-	-

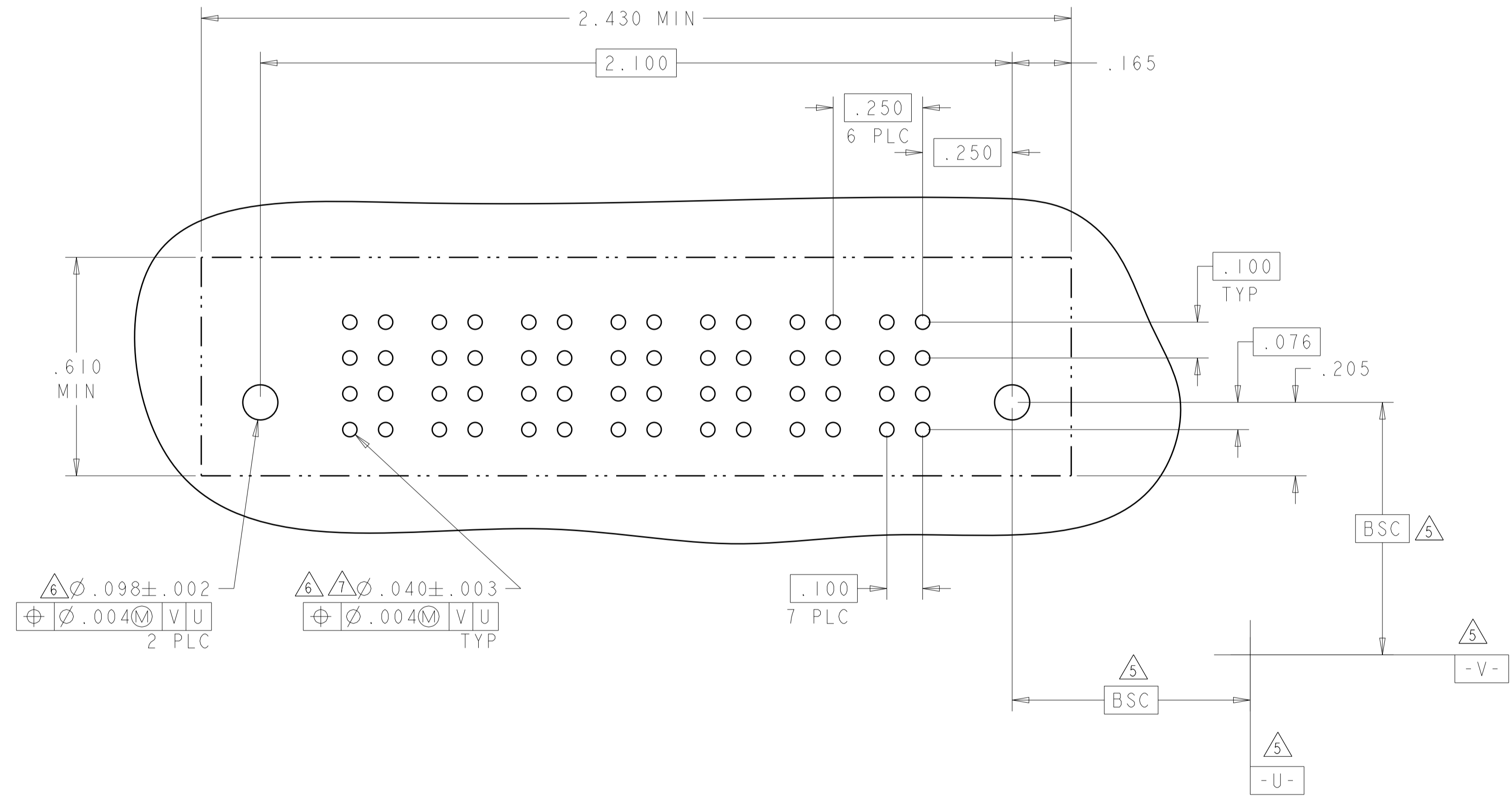
PART NUMBER	ROWS	POWER	POWER						
			P6	P5	P4	P3	P2	P1	
6450143-3	D C B A	○	VM	VM	VM	VM	VM	VM	○
		HD							HD
6 P									



THIS DRAWING IS A CONTROLLED DOCUMENT.		DMN: R. GRZYBOWSKI 15FEB05	TE Connectivity
DIMENSIONS: INCHES		CHK: M. PERCHERKE 15FEB05	
TOLERANCES UNLESS OTHERWISE SPECIFIED: 0 PLC ±. 1 PLC ±.01 2 PLC ±.01 3 PLC ±.005 4 PLC ±.0020 ANGLES ±.2°		APVD: M. PERCHERKE	NAME: VERTICAL RECEPTACLE ASSEMBLY WITH GUIDES MULTI-BEAM XL
MATERIAL: -		PRODUCT SPEC: 108-1973	SIZE: A1
FINISH: -		APPLICATION SPEC: 114-13038	CAGE CODE: 6450143
WEIGHT: -		RESTRICTED TO: -	SCALE: 1:1
CUSTOMER DRAWING		SHEET: 3 OF 4	REV: A2

LOC	DIST	REVISIONS			
P	LTN	DESCRIPTION	DATE	DMN	APVD
GP	00	- SEE SHEET 1	-	-	-

PART NUMBER	ROWS		POWER							
			P7	P6	P5	P4	P3	P2	P1	
6450143-4	D C B A	○	VA	VA	VA	VA	VA	VA	VA	○
		HD								HD
7P										



DIMENSIONS:		TOLERANCES UNLESS OTHERWISE SPECIFIED:		APVD		NAME	
INCHES		0 PLC	±	R. GRZYBOWSKI 15FEB05		M. PERCHERKE 15FEB05	
		1 PLC	±.01	M. PERCHERKE		M. PERCHERKE	
		2 PLC	±.01	PRODUCT SPEC		108-1973	
		3 PLC	±.005	APPLICATION SPEC		114-13038	
		4 PLC	±.0020	SIZE		CAGE CODE DRAWING NO	
		ANGLES	±2°	114-13038		A100779C=6450143	
MATERIAL		FINISH		WEIGHT		RESTRICTED TO	
-		-		-		-	
CUSTOMER DRAWING				SCALE		SHEET 4 OF 4 REV A2	
				1:1			