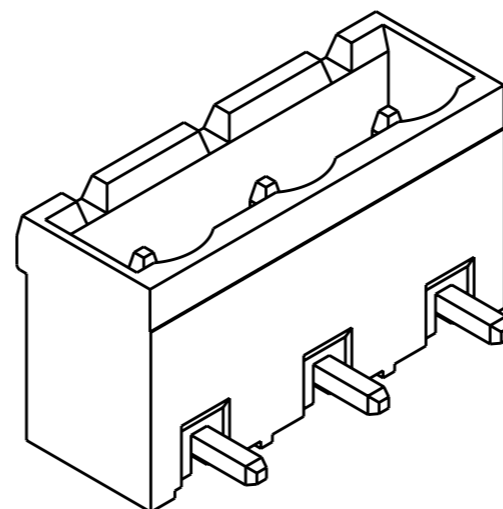
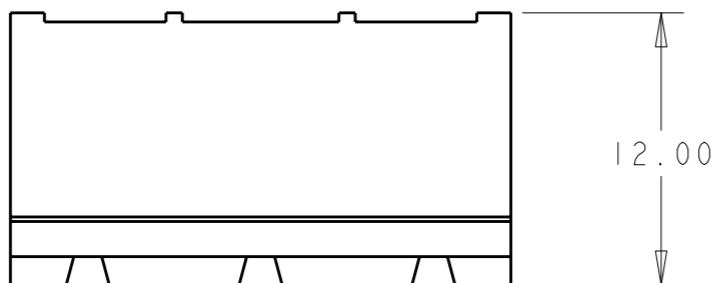
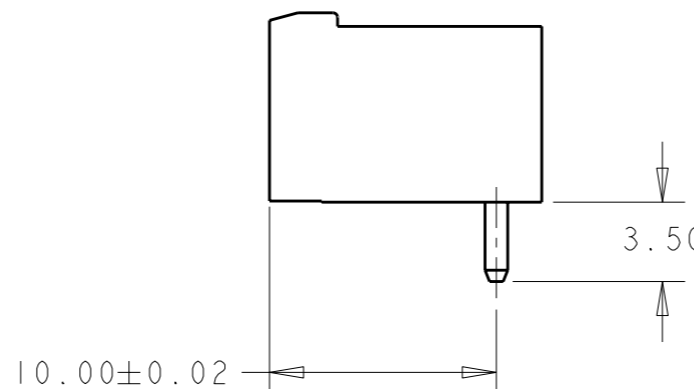
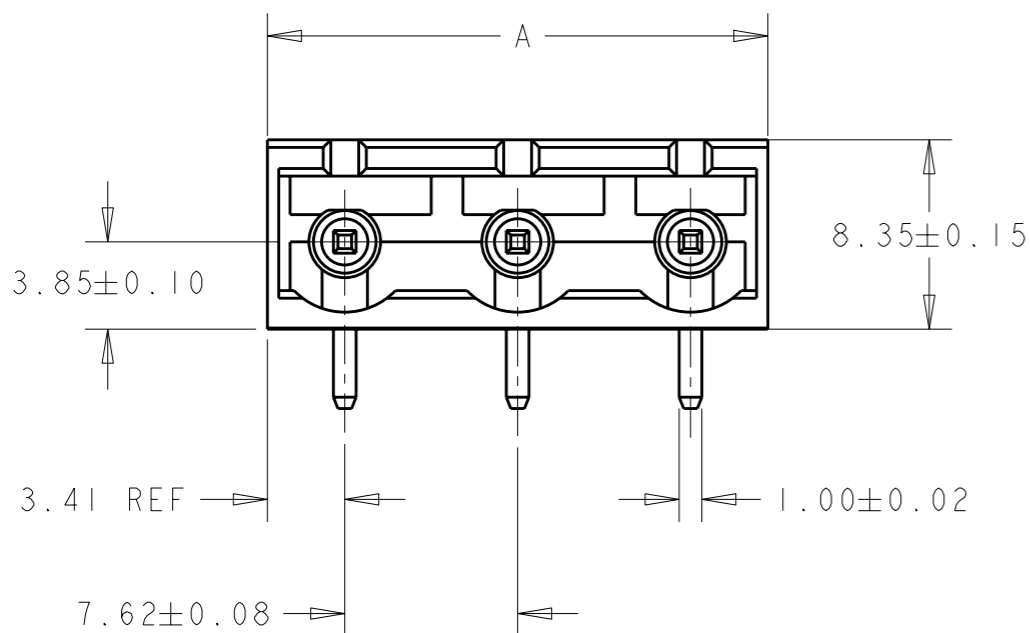


LOC	DIST	REVISIONS			
P	LTR	DESCRIPTION	DATE	DWN	APVD
FT	0	01	REVISED PER ECO-12-007711	26APR2012	KH MS

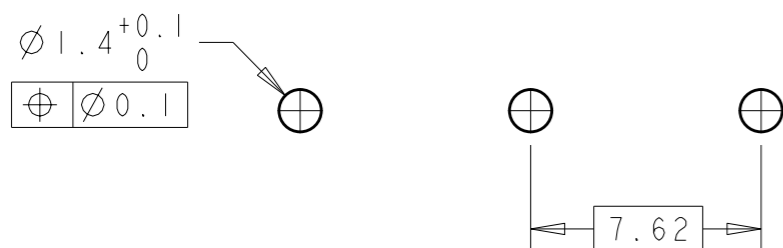


1776155-3 AS SHOWN

- 1 MATERIALS AND FINISH
HOUSING: HIGH TEMPERATURE POLYAMIDE, UL 94V-0 RATED,
COLOR: BLACK.
TERMINAL: COPPER ALLOY, TIN PLATED.
- 2 SUITABLE FOR 1,6-2,4mm PC BOARD THICKNESS.
- 3 RECOGNIZED UNDER THE COMPONENT PROGRAM OF
UNDERWRITERS LABORATORIES INC., FILE N° E60677.
- 4 IMQ CERTIFICATE WITH SURVEILLANCE IN CONFORMITY
WITH IEC 998-1/998-2-1.



90.64	12	1-1776155-2
83.02	11	1-1776155-1
75.40	10	1-1776155-0
67.78	9	1776155-9
60.16	8	1776155-8
52.54	7	1776155-7
44.92	6	1776155-6
37.30	5	1776155-5
29.68	4	1776155-4
22.06	3	1776155-3
14.44	2	1776155-2
A	NO OF POSN	PART NUMBER



RECOMMENDED PC BOARD LAYOUT

THIS DRAWING IS A CONTROLLED DOCUMENT.		DWN S. WELDON 11JUL2005	TE Connectivity	
DIMENSIONS: mm		CHK C. RICHARD 11JUL2005		
TOLERANCES UNLESS OTHERWISE SPECIFIED:		APVD C. RICHARD 11JUL2005	NAME	
0 PLC ±-		PRODUCT SPEC	TERMINAL BLOCK HEADER ASSEMBLY, 90 DEGREE, CLOSED ENDS, 7.62mm PITCH	
1 PLC ±0.2		108-20166	SIZE	
2 PLC ±0.25		APPLICATION SPEC	CAGE CODE	
3 PLC ±-		114-20079	DRAWING NO	
4 PLC ±-		WEIGHT	RESTRICTED TO	
ANGLES ±2		-	A300779	
MATERIAL	FINISH	C=1776155		
		CUSTOMER DRAWING		SCALE 3:1
				SHEET 1 OF 1
				REV 01