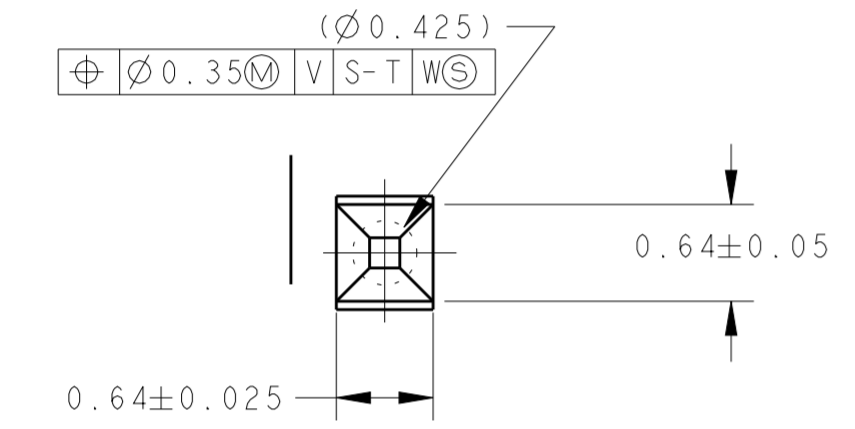
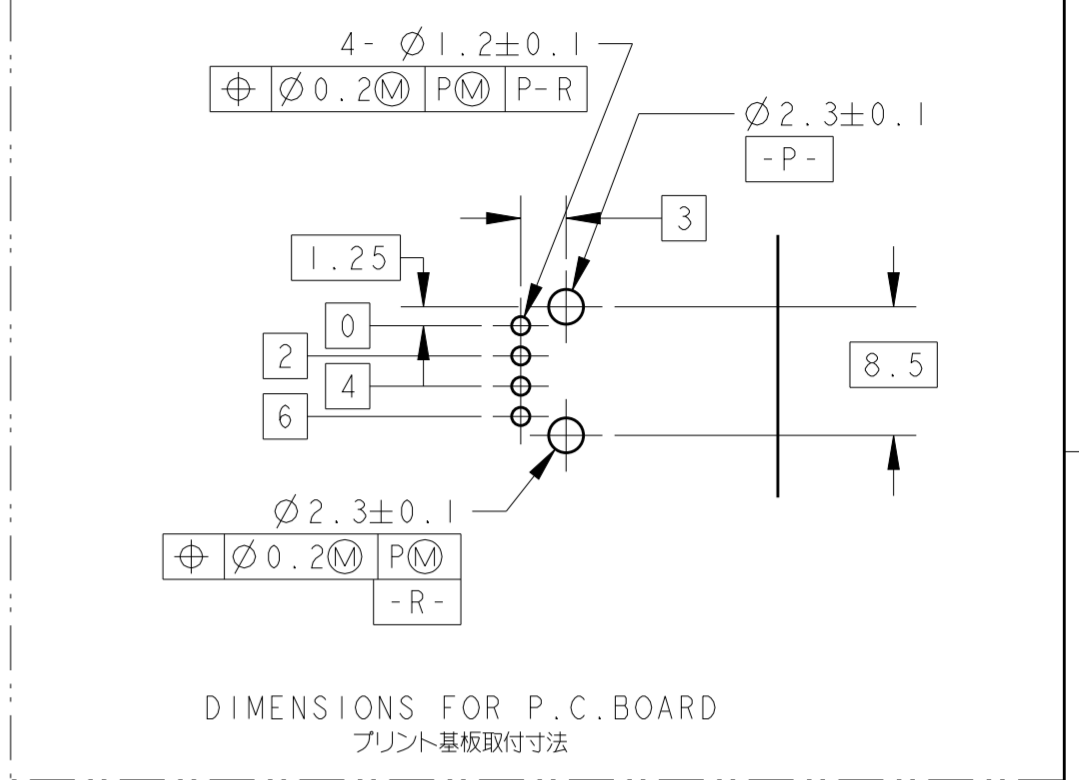
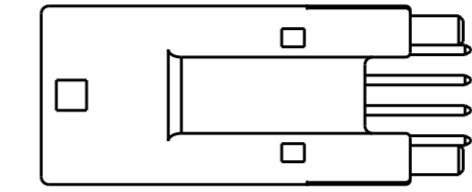
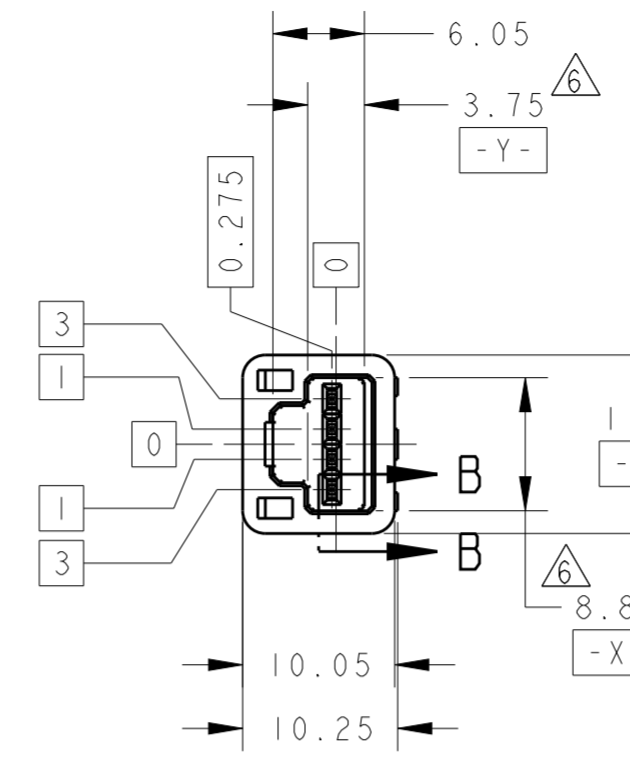
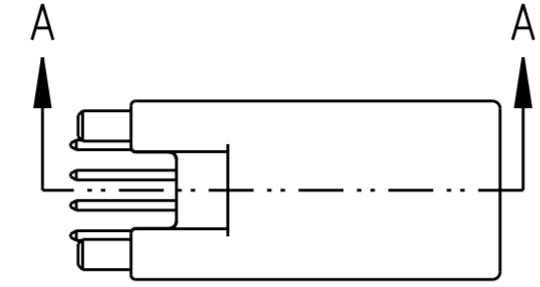
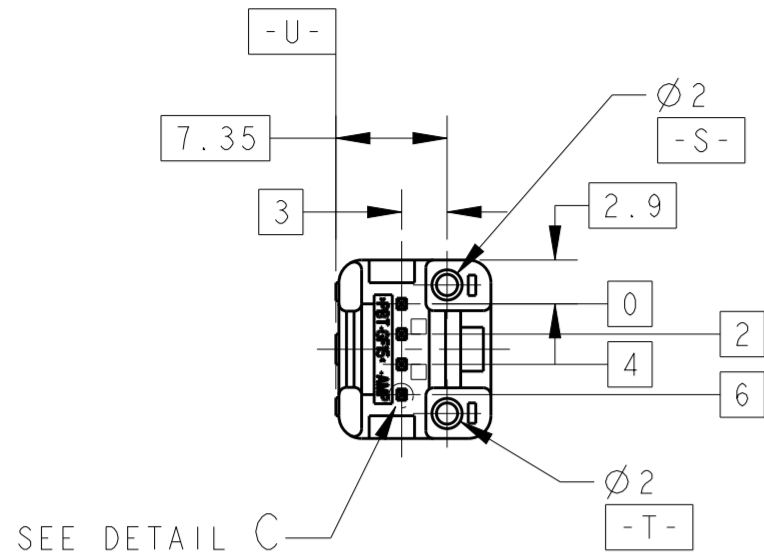
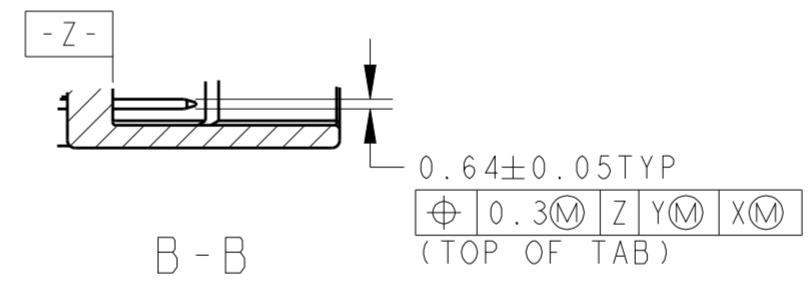
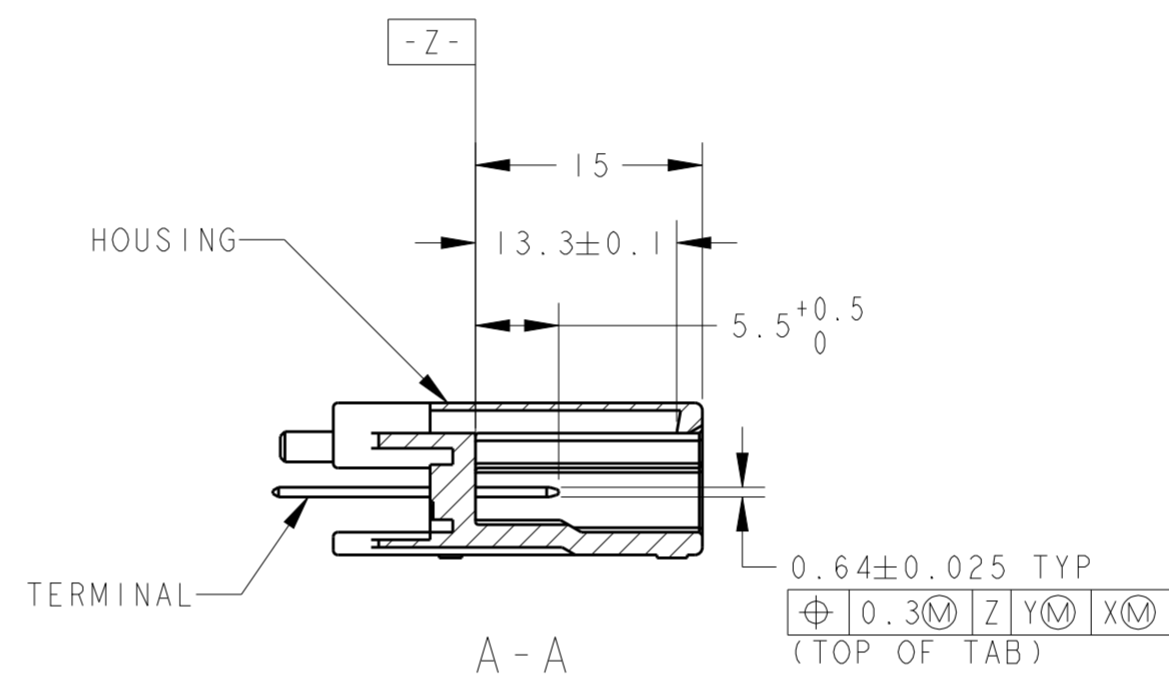
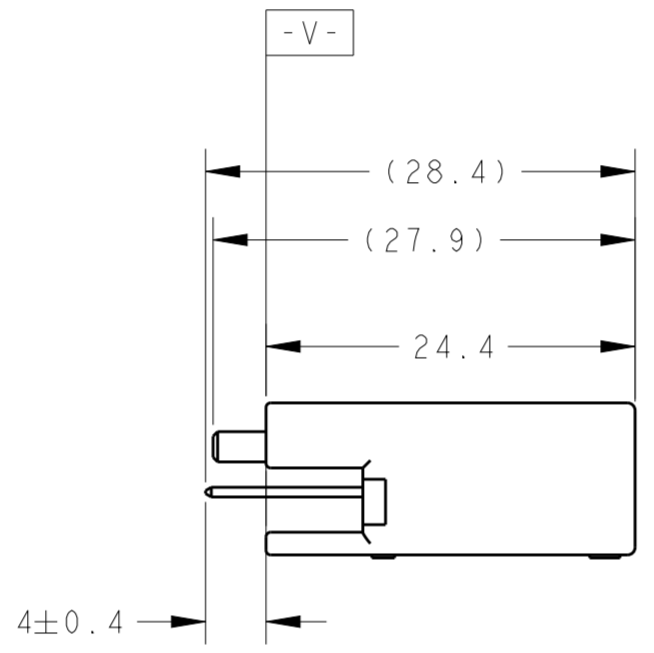


THIS DRAWING IS UNPUBLISHED. RELEASED FOR PUBLICATION 20
 © COPYRIGHT 2015 BY TYCO ELECTRONICS CORPORATION ALL RIGHTS RESERVED.

REVISIONS						
P	LTR	DESCRIPTION	ECN	DATE	DWN	APVD
0		RELEASED	FJ00-0957-00	28AUG00	NY	NS
01		REVISED	FJ00-1046-02	22MAY02	AY	KA
A		REVISED	ECR-15-011568	06AUG15	YT	YS



DETAIL C
SCALE 20:1

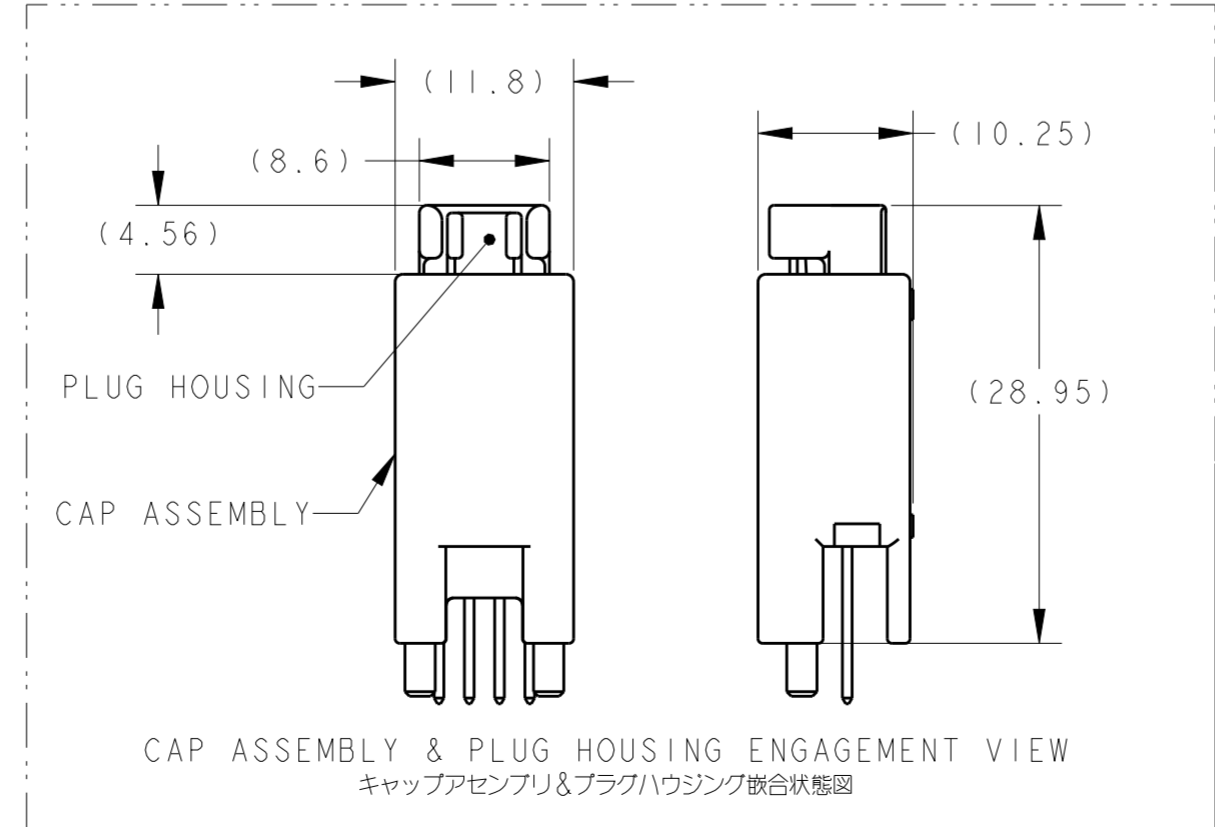


- MATING CONNECTOR PART NUMBER ; SEE TABLE-1 TO BE MATED SMOOTHLY WITH THE PLUG HOUSING;
- TO BE MOUNTED ON P.C.BOARD BY WELDING, BUT CONDITION SHOULD BE PROVIDED RESPECTIVELY.
- HANDLING OF THIS PART SHOULD FOLLOW INSTRUCTION SHEET NO.411-5933.

- 嵌合相手ハウジングは、TABLE-1参照。プラグハウジングと支障なく嵌合すること。
- 基板への取付は、熱溶着によること。管理値は、別途規定すること。
- 取扱説明書NO.411-5933

TABLE-1

POS. 極数	PLUG HOUSING P/N プラグハウジング型番
4	1318620-2



CAP ASSEMBLY & PLUG HOUSING ENGAGEMENT VIEW
キャップアセンブリ&プラグハウジング嵌合状態図

PAPER BOX タ"ンホ"ール箱	PAPER BOX タ"ンホ"ール箱	OUTER 外装	PACKING STYLE 梱包形態	
PLASTIC TUBE プラスチックチューブ	PLASTIC TUBE プラスチックチューブ	INNER 内装	SELECTIVE-TIN (BRT/MATTE)	3
4	-	025 TAB CONT	PRE-TINED	2
-	4	025 TAB CONT	BLACK	1
1	1	4P CAP HSG	FINISH/COLOR	NO
1612446-1	1376515-1	NAME		

THIS DRAWING IS A CONTROLLED DOCUMENT.

DWN N. YASUDA 28AUG00	TE Connectivity
CHK N. SAI 28AUG00	
APVD N. SAI 28AUG00	
PRODUCT SPEC 108-5675	
MATERIAL PBT GF15 BRASS	NAME 025 4POSITION CAP HOUSING ASSEMBLY (V-TYPE)
TOLERANCES UNLESS OTHERWISE SPECIFIED: 一般公差: ±0.3	SIZE A200779
0-PLC ±	DRAWING NO C-1376515
1-PLC ±0.5	RESTRICTED TO
2-PLC ±0.13	SCALE 2:1
3-PLC ±0.013	SHEET 1 OF 1
4-PLC ±0.0001	REV A
ANGLES ±	
FINISH	
SEE TABLE	