

**PLEASE CHECK WWW.MOLEX.COM FOR LATEST PART INFORMATION**

**Part Number:** [19005-0003](#)  
**Status:** **Active**  
**Description:** InsulKrimp™ Fully Insulated Coupler, Female, for 18-22 AWG Wire, Continuous Molded Strip

**Documents:**

[Drawing \(PDF\)](#) [Product Specification PS-19902-011 \(PDF\)](#)  
[Product Specification PS-19902-008 \(PDF\)](#) [RoHS Certificate of Compliance \(PDF\)](#)

**Agency Certification**

CSA LR18689  
 UL E79133

**General**

Product Family Quick Disconnects  
 Series [19005](#)  
 Crimp Quality Equipment Yes  
 Product Name InsulKrimp™  
 Type Quick Disconnect  
 UPC 800753030459

**Physical**

Barrel Type Closed  
 Color - Resin Natural  
 Flammability 94V-2  
 Gender Female  
 Glow-Wire Compliant No  
 Insulation Nylon (PA)  
 Lock to Mating Part None  
 Material - Metal Brass  
 Material - Resin Nylon  
 Net Weight 1.458/g  
 Orientation Straight  
 Packaging Type Reel  
 Polarized to Mating Part No  
 Tab Thickness 0.81mm  
 Tab Width 6.35mm  
 Temperature Range - Operating -65°C to +105°C  
 Wire Insulation Diameter 4.19mm max.  
 Wire Size AWG 18, 20, 22  
 Wire Size mm² 0.35 - 0.80

**Electrical**

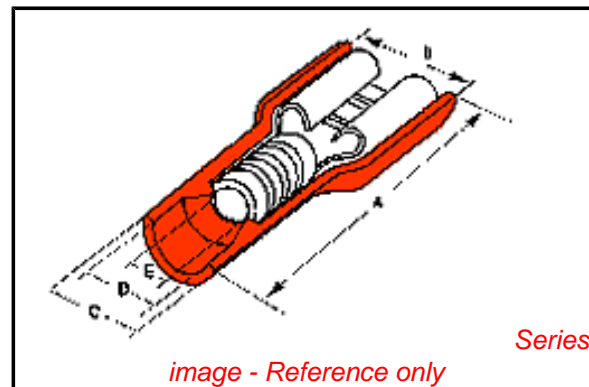
Voltage - Maximum 600V

**Material Info**

Old Part Number AA-2261C

**Reference - Drawing Numbers**

Product Specification PS-19902-008, PS-19902-011  
 Sales Drawing SD-19005-001



**EU RoHS**

**ELV and RoHS Compliant**

**REACH SVHC**

Not Reviewed

**Low-Halogen Status**

Not Reviewed

**China RoHS**



**Need more information on product environmental compliance?**

Email [productcompliance@molex.com](mailto:productcompliance@molex.com)  
 For a multiple part number RoHS Certificate of Compliance, [click here](#)

Please visit the [Contact Us](#) section for any non-product compliance questions.

**Search Parts in this Series**

19005Series

**Use With**

190040001 , 190040004

**Application Tooling | FAQ**

*Tooling specifications and manuals are found by selecting the products below. Crimp Height Specifications are then contained in the Application Tooling Specification document.*

**Global**

Description	Product #
ACP Perishable	<a href="#">0190280024</a>
Tool Kit used in ACP presses that process continuous molded product	
Mini-Mac™ Applicator	<a href="#">0638832600</a>

**PLEASE CHECK [WWW.MOLEX.COM](http://WWW.MOLEX.COM) FOR LATEST PART INFORMATION**