

2	COPPER ALLOY	UNDER PLATING: NICKEL 2μm MIN. CONTACT AREA: GOLD 0.75μm MIN. LEAD AREA: TIN 1μm MIN.	3	STAINLESS STEEL			
1	POLYAMIDE	BLACK UL94V-0					
NO.	MATERIAL	FINISH . REMARKS	NO.	MATERIAL	FINISH . REMARKS		
UNITS		SCALE	COUNT	DESCRIPTION OF REVISIONS	DESIGNED	CHECKED	DATE
mm		5 : 1					
<b>HRS</b> HIROSE ELECTRIC CO., LTD.		APPROVED : NM. NISHIMATSU 15.10.27	DRAWING NO. EDC-125961-31-00				
		CHECKED : KN. ICHIKAWA 15.10.27	PART NO. ZX64-B-5S-UNIT(31)				
		DESIGNED : TS. ITO 15.10.27	CODE NO. CL242-0009-3-31				
		DRAWN : AK. AKIYAMA 15.10.27					

Apr.1.2017 Copyright 2017 HIROSE ELECTRIC CO., LTD. All Rights Reserved.

Fig - 2 SHIELDING-PLATE ASSEMBLY

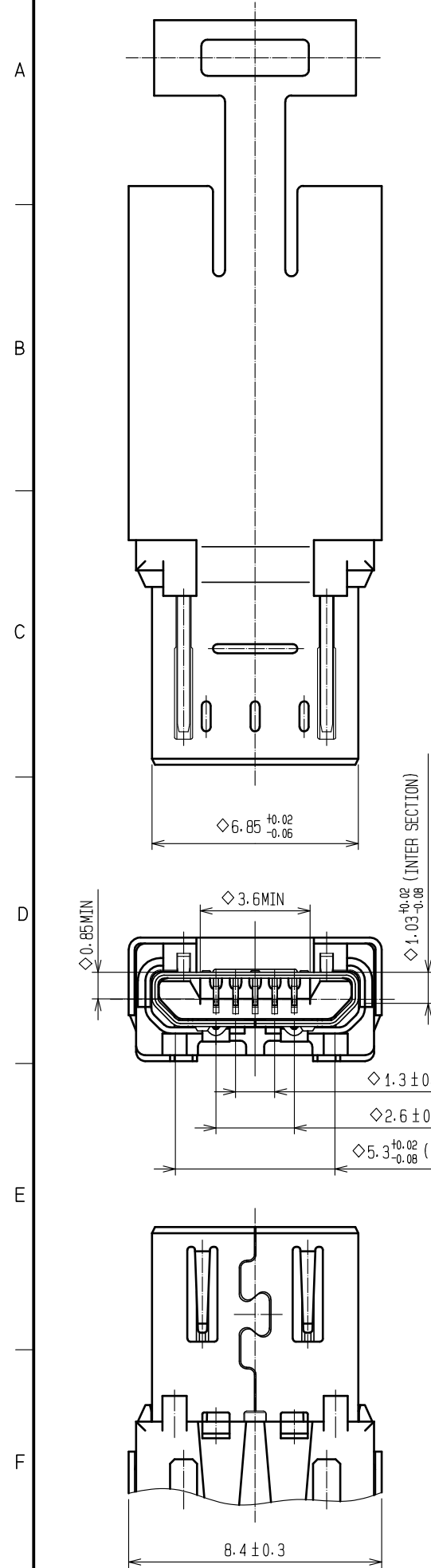
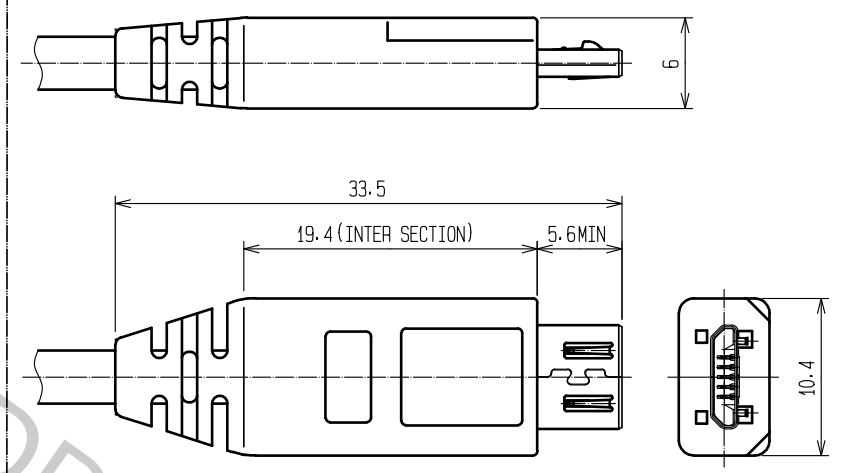
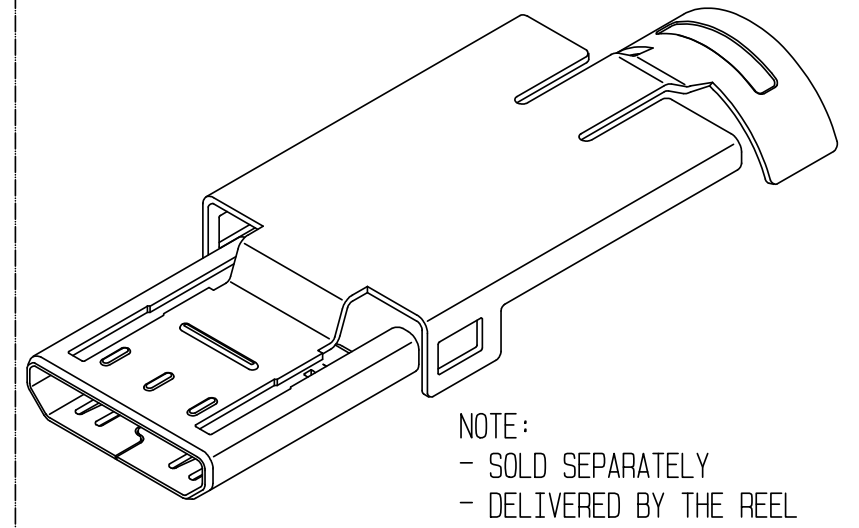


Fig - 3 OVER-MOLDING(REFERENCE)

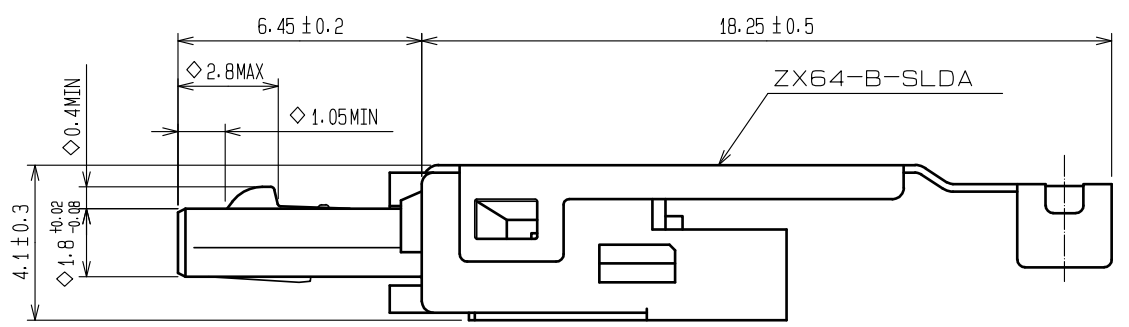
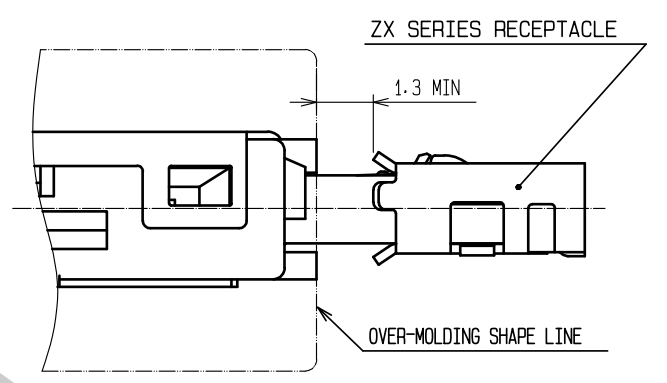


ZX64-B-SLDA  
CODE : CL242-0013-0



NOTE:  
- SOLD SEPARATELY  
- DELIVERED BY THE REEL

Fig - 4 MATED CONDITION



NOTES 3 SHIELDING-PLATES, ZX64-B-SLDA ARE USED FOR ASSEMBLY.  
4 \*◇\*SYMBOL ADDED TO EACH DIMENSION MEANS CRITICAL DIMENSION ON USB SPECIFICATION. PLEASE CHECK THEM AFTER OVER-MOLDING.

<b>HRS</b>	DRAWING NO.	EDC-125961-31-00	2/2
	PART NO.	ZX64-B-5S-UNIT(31)	
	CODE NO.	CL242-0009-3-31	