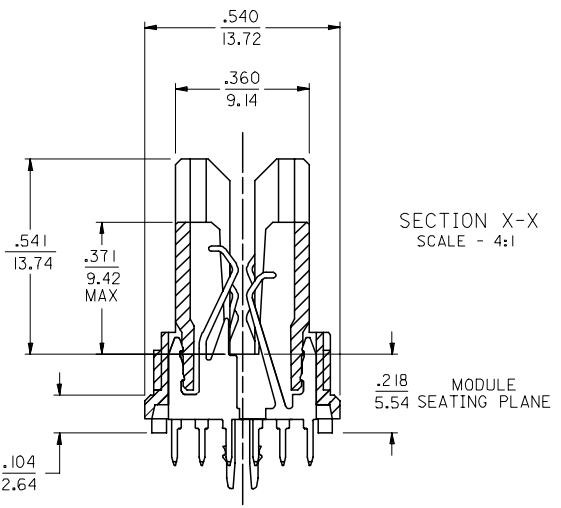
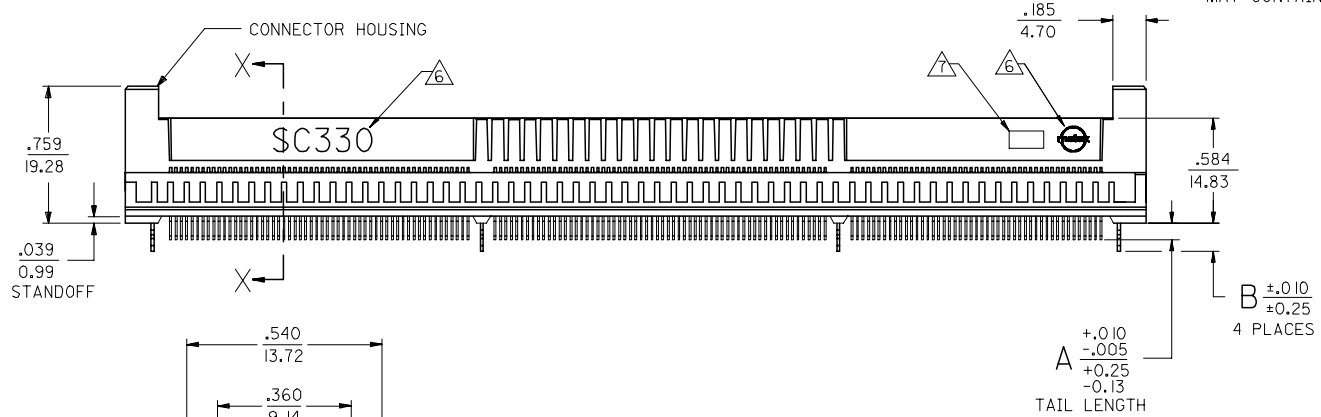
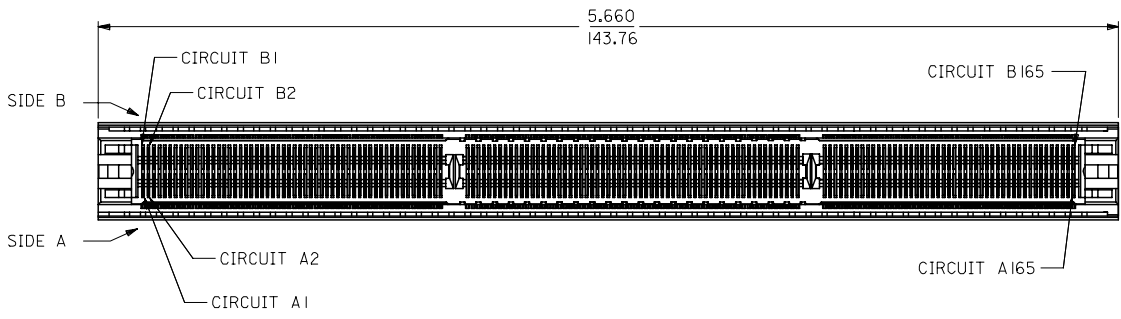


NOTES:

1. MATERIALS:
HOUSING - LCP, 30% GLASS FILLED, 94-V0, BLACK.
TERMINALS - PHOSPHOR BRONZE.
METAL FORKLOCKS - PHOSPHOR BRONZE.
2. FINISH:
TERMINALS - .000030/0.00076 MINIMUM GOLD IN THE CONTACT AREA AND .000075/0.0019 MINIMUM TIN IN SOLDER TAIL AREA OVER .000050/0.0013 MINIMUM NICKEL OVERALL.
METAL FORKLOCKS - .00008/0.002 MINIMUM TIN OVERALL.
3. PRODUCT SPECIFICATION PS-71109-9990 APPLIES.
4. CARD SLOT ACCEPTS .062 +.007/-.005 P.C. BOARD.
5. THE RECOMMENDED PLATING SPECIFICATION FOR THE MATING PC BOARD IS .000030/0.0076 MINIMUM GOLD OVER .000075/0.0019 MINIMUM NICKEL.
6. "SC330" AND MOLEX LOGO SHALL APPEAR ON BOTH SIDES OF HOUSING AND LOCATED APPROXIMATELY AS SHOWN.
7. FOUR DIGIT DATE CODE (YR/WK) SHALL BE LOCATED APPROXIMATELY AS SHOWN.
8. THE PRIMARY SHIPPING CARTON WILL BE LABELED "COMPLIANT TO ROHS DIRECTIVE 2002/95/EC AND ELV ANNEX II OF DIRECTIVE 2000/53/EC". CARTONS WITHOUT THIS LABEL MAY CONTAIN PRODUCT WITH LEAD.



71109-5007	.140/3.56	.155/3.94
71109-5006	.115/2.92	.155/3.94
71109-5005	.090/2.29	.155/3.94

MAT'L NUMBER	A	B
--------------	---	---

MODIFY 71109-5007 EC NO: UCP2006-1372 DRWN:MS/BARRA 2005/12/19 CHKD:DMORGAN 2006/01/05 APPR:SMILLER 2006/01/06	QUALITY SYMBOLS ▽=0 ▽=0	GENERAL TOLERANCES (UNLESS SPECIFIED) 4 PLACES ± --- ± --- 3 PLACES ± --- ± .005 2 PLACES ± 0.13 ± --- 1 PLACE ± --- ± --- ANGULAR ±1/2°	DIMENSION STYLE IN/MM	SCALE 2:1	DESIGN UNITS INCH	THIRD ANGLE PROJECTION	2 F 1 J SHT REV	
								DRAWN BY NELSON
DRAFT WHERE APPLICABLE MUST REMAIN WITHIN DIMENSIONS			MATERIAL NO. SEE TABLE	DOCUMENT NO. SD-71109-503	SALES ASSEMBLY SC330 HISPEC CONNECTOR W/METAL PEGS MOLEX INCORPORATED			SHEET NO. 1 OF 2
THIS DRAWING CONTAINS INFORMATION THAT IS PROPRIETARY TO MOLEX INCORPORATED AND SHOULD NOT BE USED WITHOUT WRITTEN PERMISSION								

