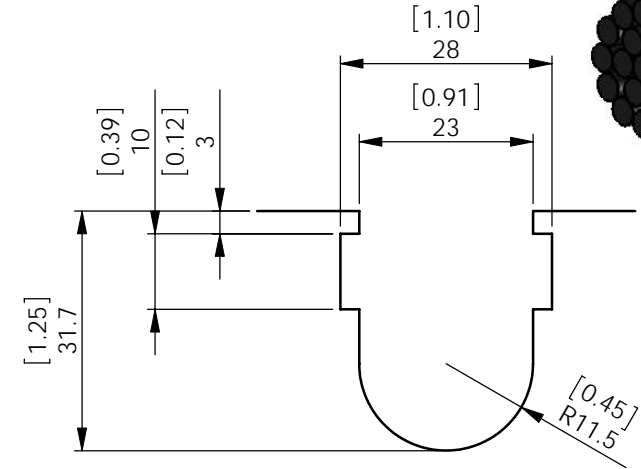
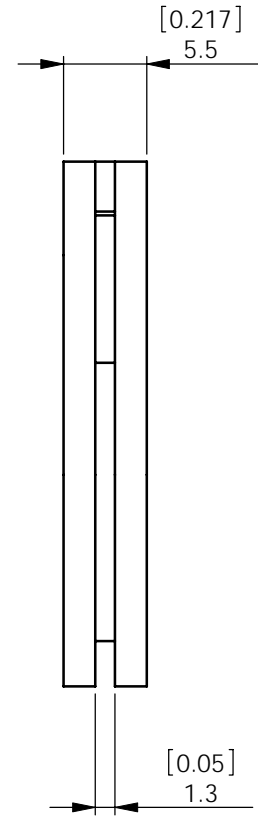
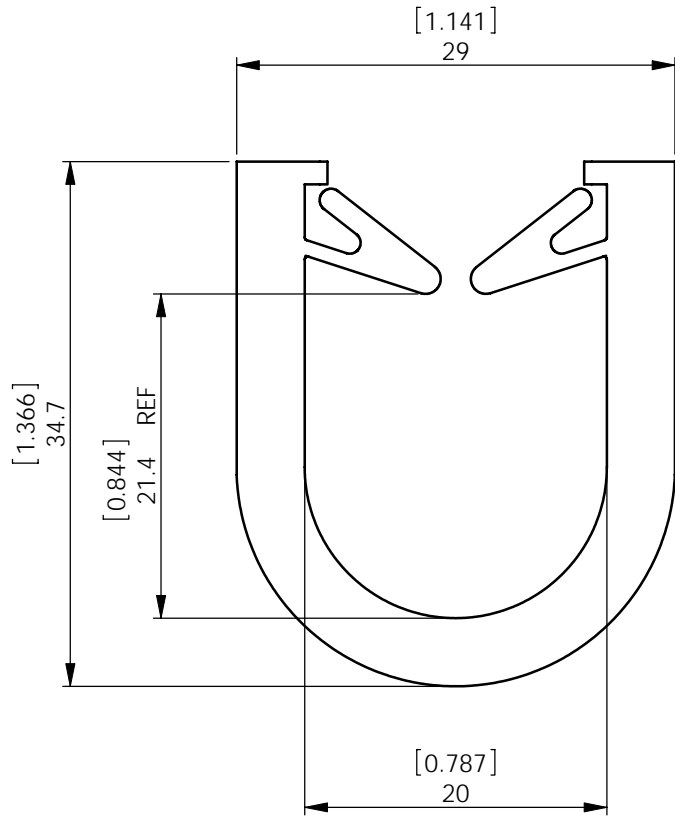
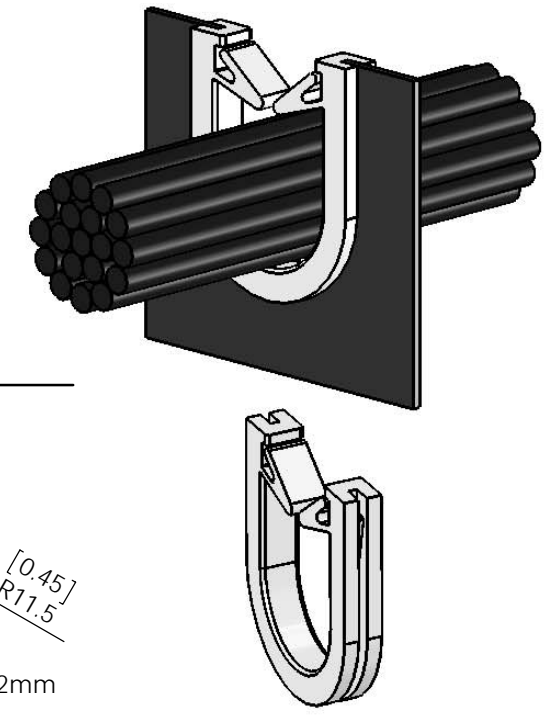


AVAILABLE BY SPECIAL ORDER- NAFTA REGION ONLY

REV.	MODIFICATION.	DATE	DRN
01	PRODUCTION RELEASE	24/04/08	MT
02	CO2010268	30/06/08	TC
03	CO2010362	28/08/08	SF
04	CO2010392	16/09/08	SF
05	CO2010438	13/10/08	SF



PANEL THICKNESS = 1.2mm



PART No	MATERIAL	COLOUR
CGC-1-01	NYLON 66 (RMS-01)	NATURAL
CGC-1-01BK	NYLON 66 (RMS-01)	BLACK
CGC-1-19	NYLON 66 VO(RMS-19)	NATURAL
CGC-1-109	NYLON 46 (RMS-109)	NATURAL
CGC-1-109BK	NYLON 46 (RMS-109)	BLACK

INFORMATION CONTAINED IN THIS DOCUMENT IS CONFIDENTIAL TO RICHCO INTERNATIONAL Co. Ltd. AND MAY NOT BE DISCLOSED OR REPRODUCED IN WHOLE OR PART WITHOUT THEIR WRITTEN CONSENT.

Richco
 METRIC PRIMARY UNITS:mm
 IMPERIAL SECONDARY UNITS:[inches]
 GENERAL TOLERANCES ±0.25 [0.010]
 UNLESS OTHERWISE STATED
 1 DECIMAL PLACE ±
 2 DECIMAL PLACES ±
 ANGULAR ±1°

THIRD ANGLE

MATERIAL: SEE TABLE COLOUR: SEE TABLE

DESCRIPTION: 'U' WIRE CLIP PART No: SEE TABLE

DRG No: 07-141S NPR No: 2007-341 Mass:(g) 2.2 SHEET SIZE A4

DRN MT DATE 24/04/08 CHKD BO DATE 21/05/08 SCALE NTS SHEET No. 1 OF 1