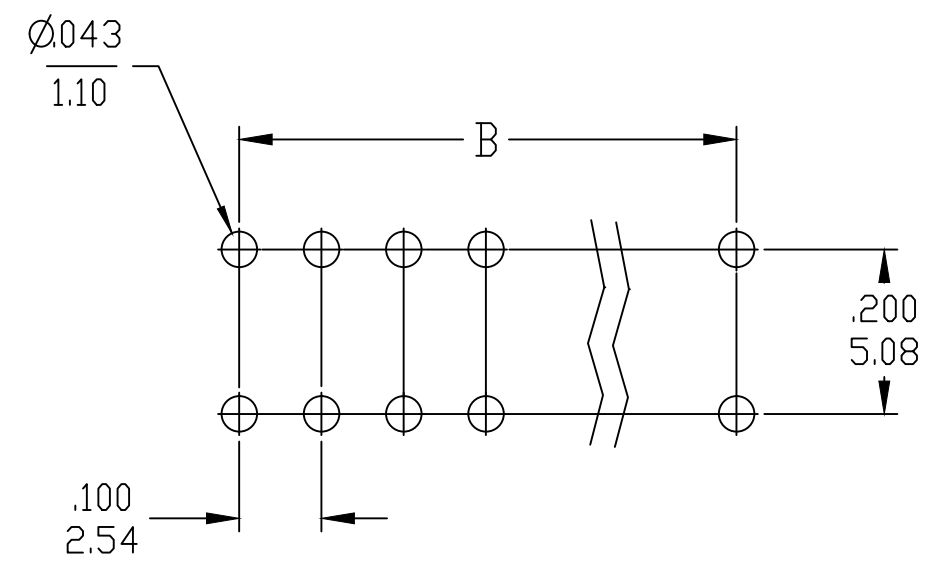


NOTE FRONT AND REAR PIN ORIENTATION



PCB LAYOUT

TOLERANCES			
MM	TOL	INCH	TOL
0-6	±0.25	0-24	±0.010
>6-30	±0.40	0.24-1.18	±0.016
>30-120	±0.50	1.18-4.76	±0.020
>120	±0.80	>4.76	±0.031

SPECIFICATIONS:

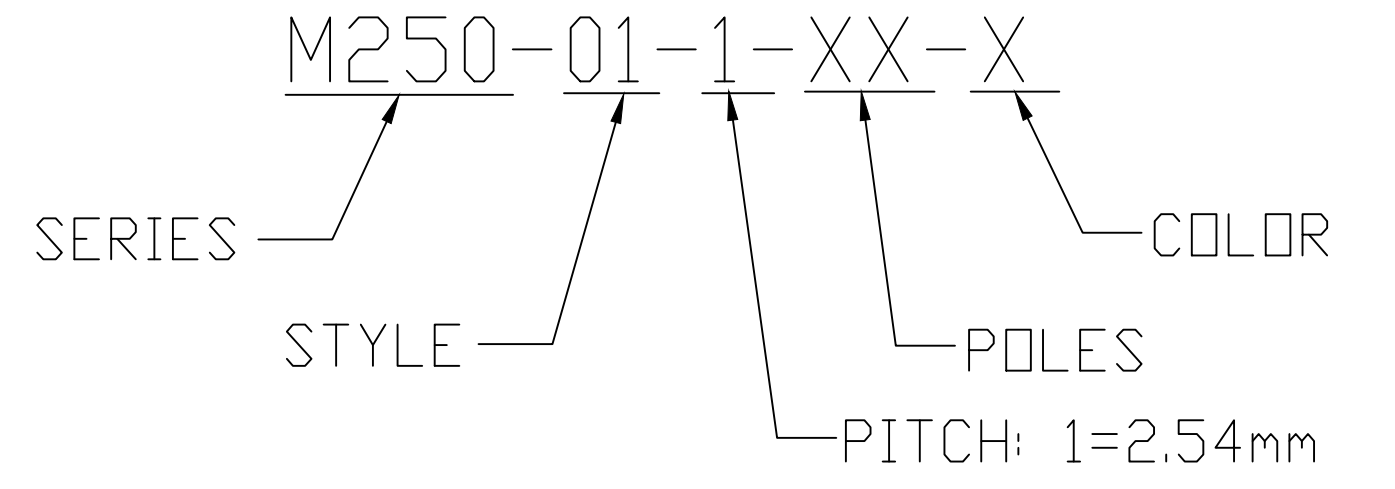
- MATERIAL:
 - A. BUTTON: PA66 UL94 V-0
 - B. SPRING: ST. STEEL
 - C. BODY : PA66 UL94 V-0
 - D. TERMINAL: BRASS TIN PLATED
 - E. COVER: PA66 UL94 V-0
- WIRE SIZE: 26 - 18AWG
- ELECTRICAL RATING (UL): 150V, 6A
- WIRE STRIP LENGTH: .43 (11.0mm)
- POWER FREQUENCY WITHSTAND: AC 2000V FOR 1 MINUTE
- INSULATION RESISTANCE: DC 500V, 500MΩ
- RATED IMPULSE VOLTAGE: 2500V PLUS AND MINUS 5 TIMES EACH
- OPERATING TEMPERATURE: -40°C TO +115°C
- MAX SOLDERING TEMPERATURE: +260°C FOR 5 SECONDS
- DIMS SHOWN ARE FOR REFERENCE ONLY

PART NUMBER DATA

CIRCUITS	PART NUMBER	ENGINEERING NUMBER	COLOR	A IN	mm	B IN	mm
2	397000202	M250-01-1-02-3	GREEN	.30	7.6	.100	2.54
3	397000203	M250-01-1-03-3	GREEN	.40	10.2	.200	5.08
4	397000204	M250-01-1-04-3	GREEN	.50	12.7	.300	7.62
5	397000205	M250-01-1-05-3	GREEN	.60	15.2	.400	10.16
6	397000206	M250-01-1-06-3	GREEN	.70	17.8	.500	12.70
7	397000207	M250-01-1-07-3	GREEN	.80	20.3	.600	15.24
8	397000208	M250-01-1-08-3	GREEN	.90	22.9	.700	17.78
9	397000209	M250-01-1-09-3	GREEN	1.00	25.4	.800	20.32
10	397000210	M250-01-1-10-3	GREEN	1.10	27.9	.900	22.86
11	397000211	M250-01-1-11-3	GREEN	1.20	30.5	1.000	25.40
12	397000212	M250-01-1-12-3	GREEN	1.30	33.0	1.100	27.94
13	397000213	M250-01-1-13-3	GREEN	1.40	35.6	1.200	30.48
14	397000214	M250-01-1-14-3	GREEN	1.50	38.1	1.300	33.02
15	397000215	M250-01-1-15-3	GREEN	1.60	40.6	1.400	35.56
16	397000216	M250-01-1-16-3	GREEN	1.70	43.2	1.500	38.10
17	397000217	M250-01-1-17-3	GREEN	1.80	45.7	1.600	40.64
18	397000218	M250-01-1-18-3	GREEN	1.90	48.3	1.700	43.18
19	397000219	M250-01-1-19-3	GREEN	2.00	50.8	1.800	45.72
20	397000220	M250-01-1-20-3	GREEN	2.10	53.3	1.900	48.26
21	397000221	M250-01-1-21-3	GREEN	2.20	55.9	2.000	50.80
22	397000222	M250-01-1-22-3	GREEN	2.30	58.4	2.100	53.34
23	397000223	M250-01-1-23-3	GREEN	2.40	61.0	2.200	55.88
24	397000224	M250-01-1-24-3	GREEN	2.50	63.5	2.300	58.42

CONTACT FACTORY FOR OPTIONAL COLORS

ENGINEERING NUMBER LEGEND



EC DESCRIPTION EC NO.: PG2016-0269 DRWN: RSTONE 2/4/16 CHKD: B ARDEN APPR: BRUPERT 2015/08/20	QUALITY SYMBOL ▽=0 □=0	DIMENSION STYLE IN/MM	SCALE ---	DESIGN UNITS METRIC	THIRD ANGLE PROJECTION	
	DRAWN BY RSTONE	DATE 2013/10/02	TITLE SPRING TERMINAL BLOCK .100 (2.54) PITCH VERTICAL MODULAR			
	CHECKED BY G FARNSW	DATE 2013/12/20	MOLEX INCORPORATED			
	APPROVED BY JFMURPHY	DATE 2013/12/26	MATERIAL NO. SEE TABLE	DOCUMENT NO. SD-39700-002	SHEET NO. 1 OF 1	
	SIZE C	THIS DRAWING CONTAINS INFORMATION THAT IS PROPRIETARY TO MOLEX INCORPORATED AND SHOULD NOT BE USED WITHOUT WRITTEN PERMISSION				