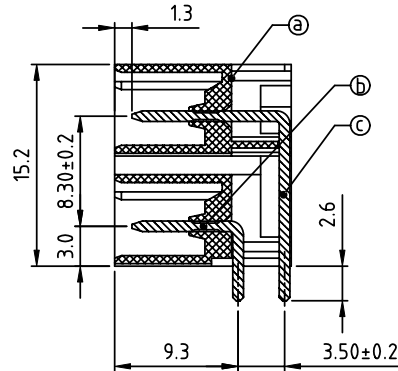
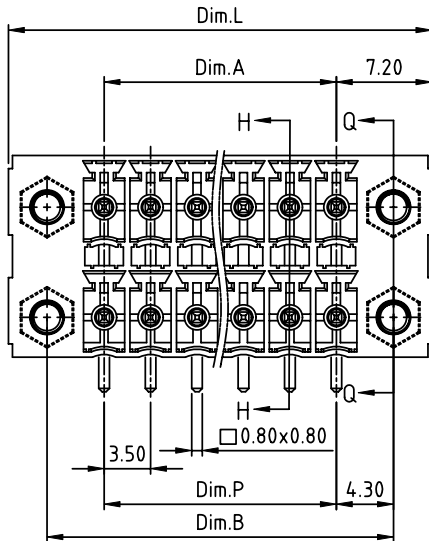
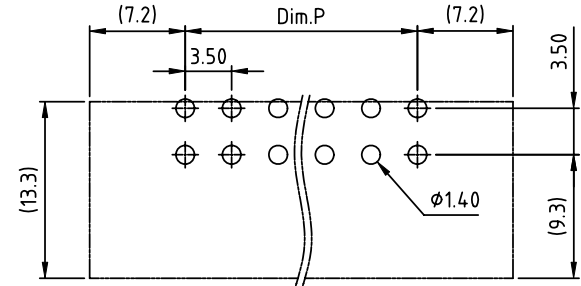


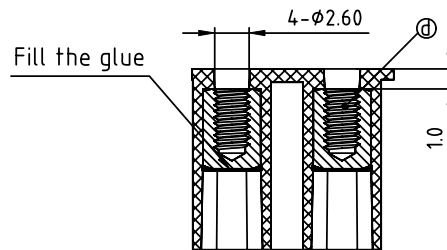
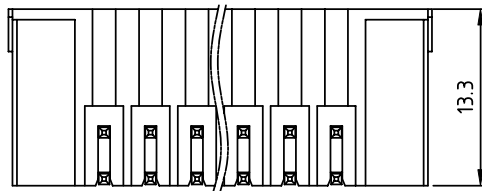
PRODUCT NUMBER	PITCH
KExx12x1A0J0G	3.50 mm



SECTION H-H



RECOMMENDED P.C.B LAYOUT  
TOP VIEW



SECTION Q-Q

Material:

- Item A Terminal(housing): Thermoplastic (UL94V-0)
- Item B Short pin: copper Tin plated
- Item C Long pin: copper Tin plated
- Item D Flange screw NUT: Copper alloy, M 2.5

Electrical:

- Voltage rating: 160V
- Current rating: 5.5A
- Withstanding Voltage: 1.32 KV
- Operating temperature: -40°C to +115°C
- Soldering temperature: 260°C ±5°C/5 Sec
- Safety Approval:

DIMENSION

Dim.L	(N/2-1) × 3.5+14.4
Dim.P	(N/2-1) × 3.5
Dim.A	(N/2-1) × 3.5
Dim.B	(N/2-1) × 3.5+8.6

N=Number of poles

poles	Dim.L	Dim.P	Dim.A	Dim.B
2×2P-2×5P	±0.20	±0.15	±0.15	±0.15
2×6P-2×16P	±0.30	±0.25	±0.25	±0.25
2×17P-2×24P	±0.40	±0.30	±0.30	±0.30

PART NO.: KE xx 1 2 x 1 A0J0 G

Solid block	0	Black (RAL9005)	RoHS compliant (lead<4%) In copper Alloy
No. of poles	2	Red (RAL3001/D)	
04 2x2poles	3	Orange(RAL2011/P)	
06 2x3poles	4	Yellow(RAL1018/A)	
...	5	Green(RAL6018/T)	
48 2x24poles	6	Blue (RAL5015/A)	
	8	Grey(RAL7035/D)	
	9	White(RAL1102)	
	C	Green(RAL6018/U)	

mat'l. code	surface ASME Y14.5	tolerance ASME Y14.5	projection	product family TERMINAL BLOCK
ltr	ecn no	dr	date	title TERMINAL BLOCK
				PLUGGABLE SOCKET,RIGHT ANGLE,WITH FLANGE
				scale MM
				dwg no KExx12x1A0J0G
				sheet 1 of 1 size A4
				type CUSTOMER Drawing
sheet index	revision	A		
	sheet	1		