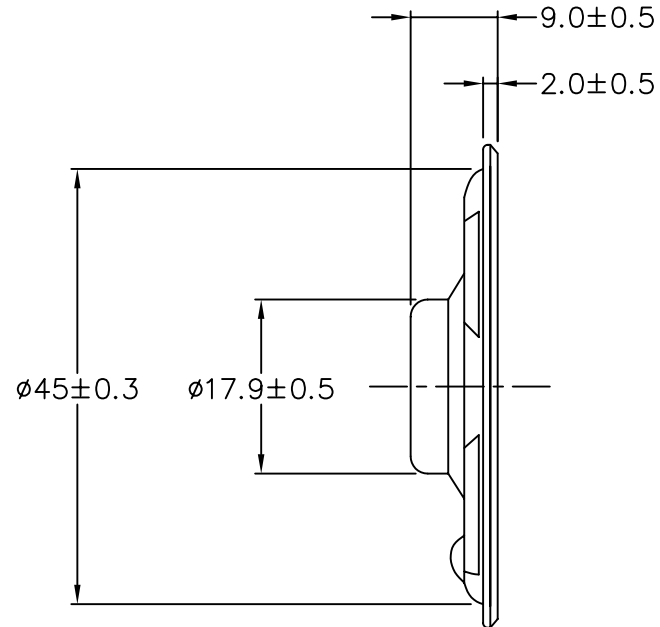
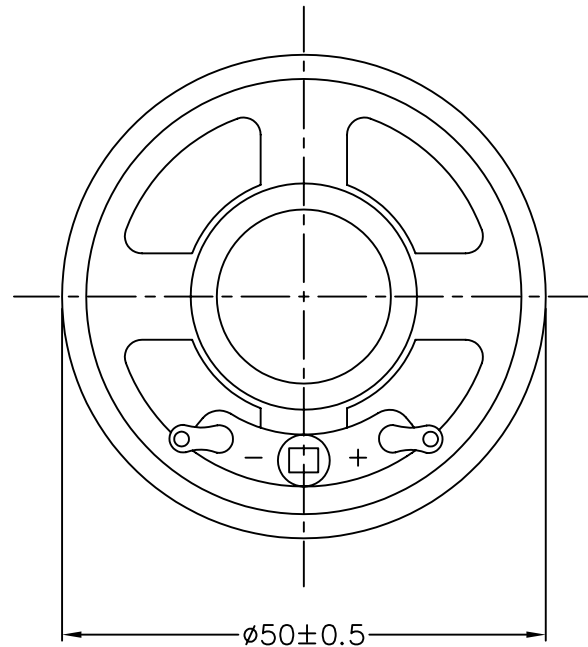


THIS DOCUMENT CONTAINS DATA PROPRIETARY TO PROJECTS UNLIMITED, INC. ANY USE OR REPRODUCTION, IN ANY FORM, WITHOUT PRIOR WRITTEN PERMISSION OF PROJECTS UNLIMITED, INC. IS PROHIBITED.
 © 2003, Projects Unlimited Inc.

SPECIFICATIONS

PARAMETERS	VALUES	UNITS
RATED INPUT POWER	0.1	W
MAX INPUT POWER	0.2	W
IMPEDANCE	8±15%	OHM
OUTPUT SPL @ 1W/0.5M (AT 0.8, 1.0, 1.2, 1.5 kHz)	91±3	dB
DISTORTION	5%	-
RESONANT FREQUENCY	500±20%	Hz
FREQUENCY RANGE	500 ~ 4,500	Hz
HOUSING MATERIAL	METAL	-
CONE MATERIAL	BLACK PAPER	-
MAGNET MATERIAL	Nd-Fe-B	-
OPERATING TEMPERATURE	-20 ~ +60	°C
WEIGHT	15	grams


REVISIONS			
LTR	DESCRIPTION	DATE	APPROVED
-	RELEASED FROM ENGINEERING	6/2/03	
A	REVISED TO NEW TEMPLATE	4/15/04	R. W.



NOTES:

1. ALL DIMENSIONS ARE IN MILLIMETERS.
2. SPECIFICATION SUBJECT TO CHANGE OR WITHDRAWAL WITHOUT NOTICE.

FILE NAME
AS5008.DWG

UNLESS OTHERWISE SPECIFIED: DIMENSIONS ARE IN MILLIMETERS, TOLERANCES ARE ±0.5 AND ANGLES ARE ±3°.		 projects® unlimited Dayton, Ohio							
<table border="1"> <tr> <th>APPROVALS</th> <th>DATE</th> </tr> <tr> <td>DRAWN <i>T.P.I.</i></td> <td>5/03</td> </tr> <tr> <td>APPROVED <i>S.J.</i></td> <td>5/03</td> </tr> </table>		APPROVALS	DATE	DRAWN <i>T.P.I.</i>	5/03	APPROVED <i>S.J.</i>	5/03	DYNAMIC SPEAKER AS5008	
APPROVALS	DATE								
DRAWN <i>T.P.I.</i>	5/03								
APPROVED <i>S.J.</i>	5/03								
		SIZE A	DRAWING NO. AS5008						
DO NOT SCALE DRAWING		SCALE: N.T.S.	SHEET 1 OF 1						