



American Hakko Products, Inc.

PRODUCT BULLETIN

Bulletin No: PB370

Issue Date: 1-15-2016

Available: 1-15-2016

Product Description:

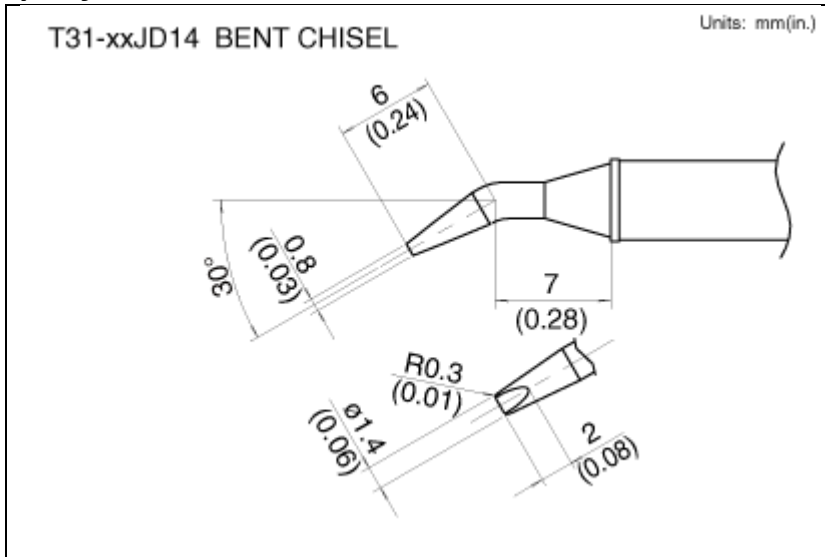
NEW HAKKO T31-xx Series Soldering Tip Shapes

Part No:

T31-xxJD14



Specification:



NOTE: xx:00 = 480°C (895°F) | 01 = 450°C (840°F) | xx:02 = 400°C (750°F) | xx:03 = 350°C (660°F)

Comments:

This HAKKO T31 Series Tip is a cross-over tip for the popular Metcal® STTC-x99 Tip Cartridge.

For more information please visit us at www.HakkoUSA.com