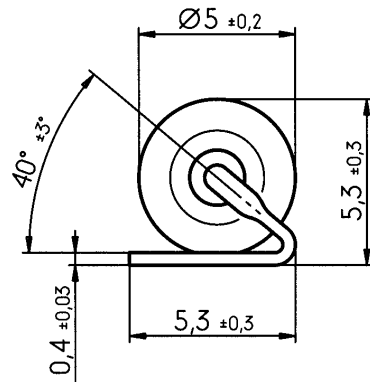


DC spark-over voltage ^{1) 2)}	570 ... 780	V
Impulse spark-over voltage at 100 V/μs - for 99 % of measured values - typical values of distribution	< 1350 < 1200	V V
at 1 kV/μs - for 99 % of measured values - typical values of distribution	< 1500 < 1350	V V
Nominal impulse discharge current (wave 8/20 μs)	5	kA
Single impulse discharge current (wave 8/20 μs)	10	kA
Nominal alternating discharge current (50 Hz, 1 s)	5	A
Alternating discharge current (50 Hz, 9 cycles)	10	A
Insulation resistance at 100 V _{dc}	> 1	GΩ
Capacitance at 1 MHz	< 1	pF
Arc voltage at 1 A	~ 10	V
Glow to arc transition current	~ 0.5	A
Glow voltage	~ 60	V
Weight	~ 1	g
Operation and storage temperature	-40 ... +90	°C
Climatic category (IEC 60068-1)	40/ 90/ 21	
Marking, blue	EPCOS 600 YY O 600 - Nominal voltage YY - Year of production O - Non radioactive	

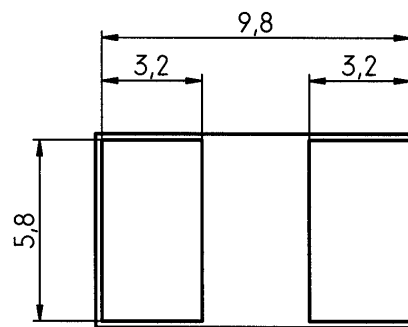
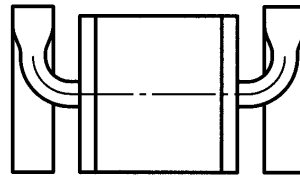
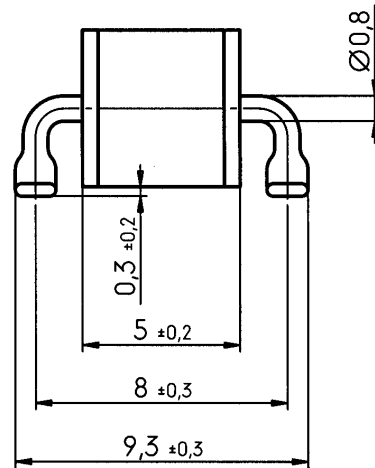
¹⁾ At delivery AQL 0.65 level II, DIN ISO 2859

²⁾ In ionized mode

Terms in accordance with ITU-T Rec. K.12 and DIN 57845/DE0845



tin-plated



empfohlene Lötflächen /
recommended pad outline

Not to scale

Dimensions in mm

Non controlled document

SMD-Gurtverpackung nach IEC 60286-3 /

Tape and reel packing comply with the specification of IEC 60286-3