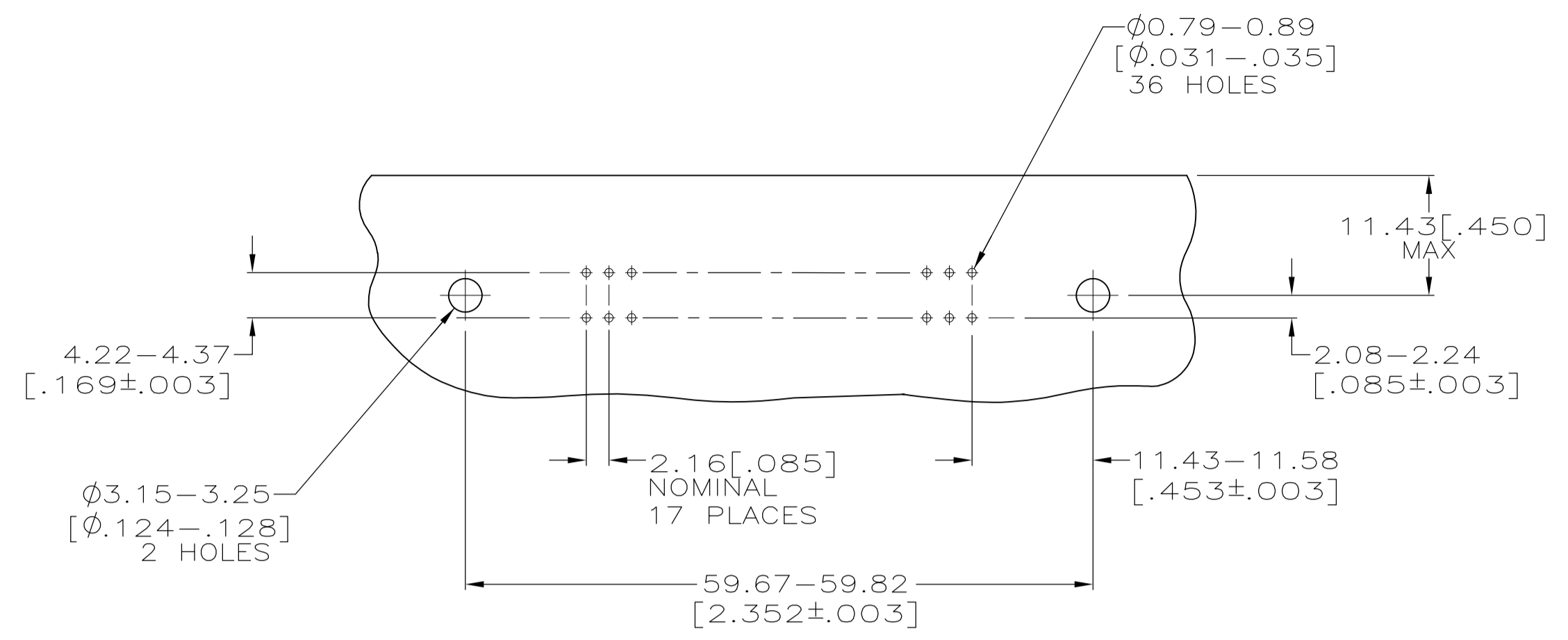
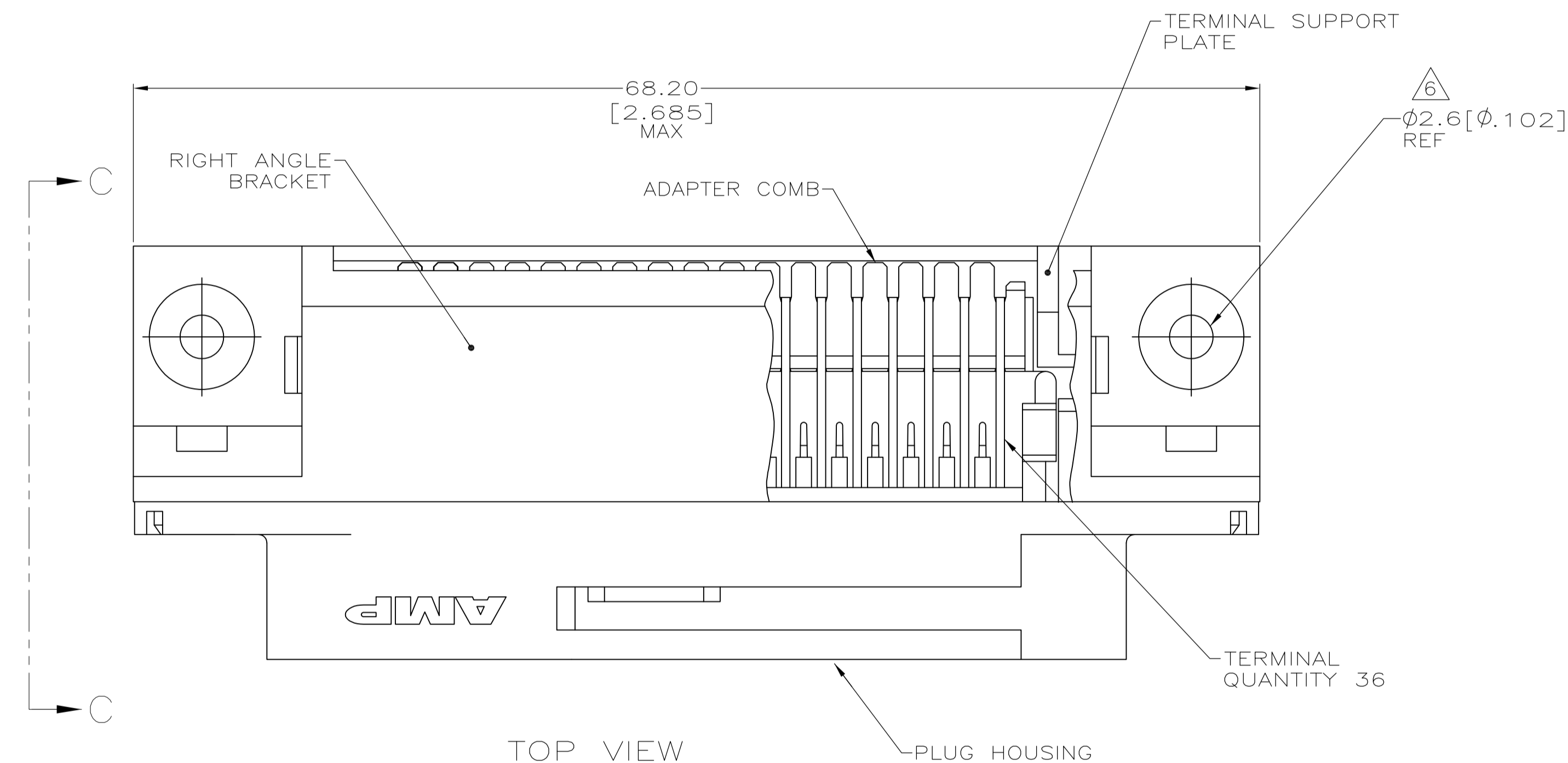


LOC		DIST		REVISIONS			
GP	00	REV	DATE	BY	CHK	APPV	
B		REVISED PER ECO-08-007327	08APR08	BM		WM	
B1		REVISED PER ECO-09-024927	10NOV09	KK		AEG	

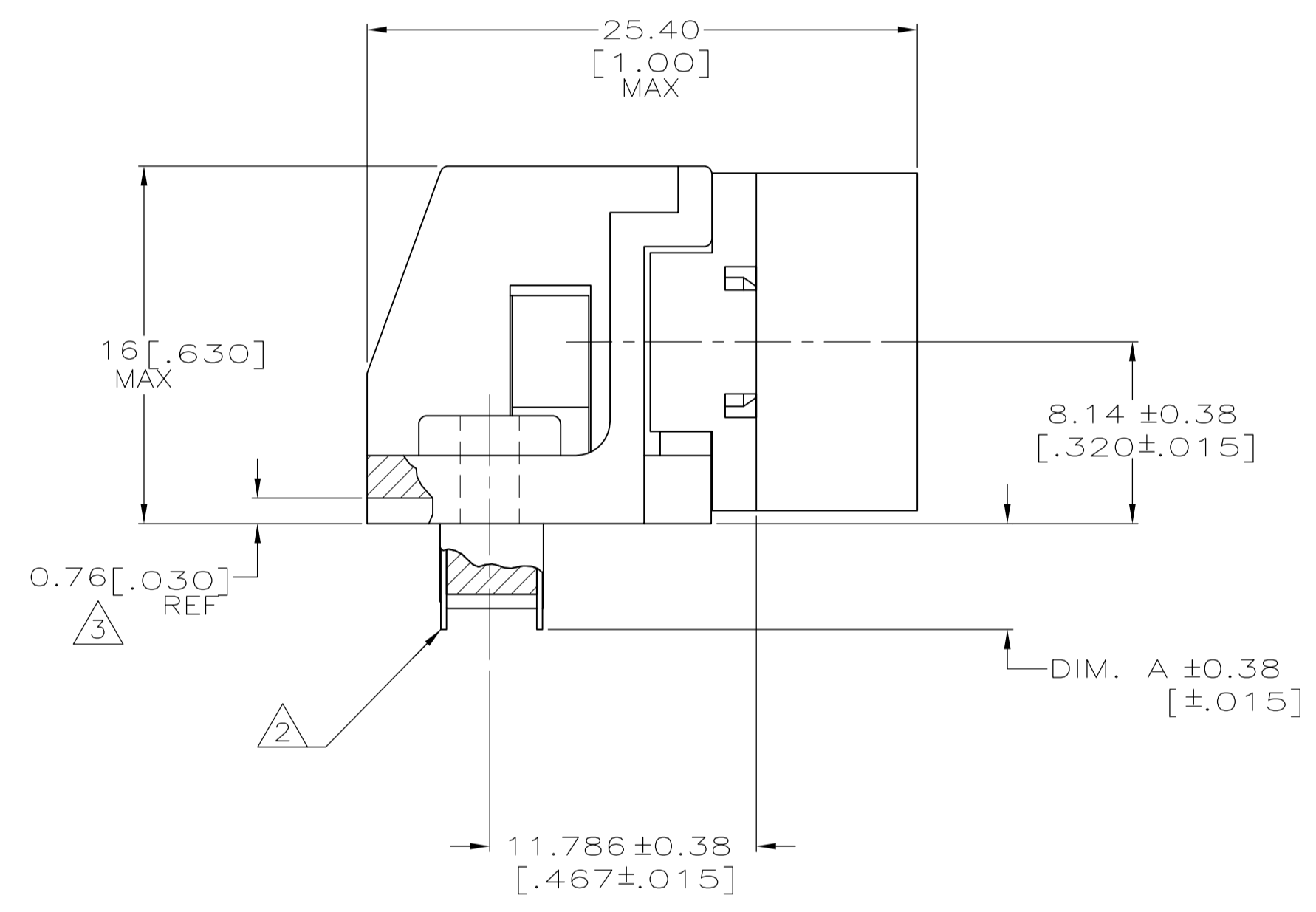


SUGGESTED PRINTED CIRCUIT BOARD MOUNTING DIMENSIONS SCALE 2:1

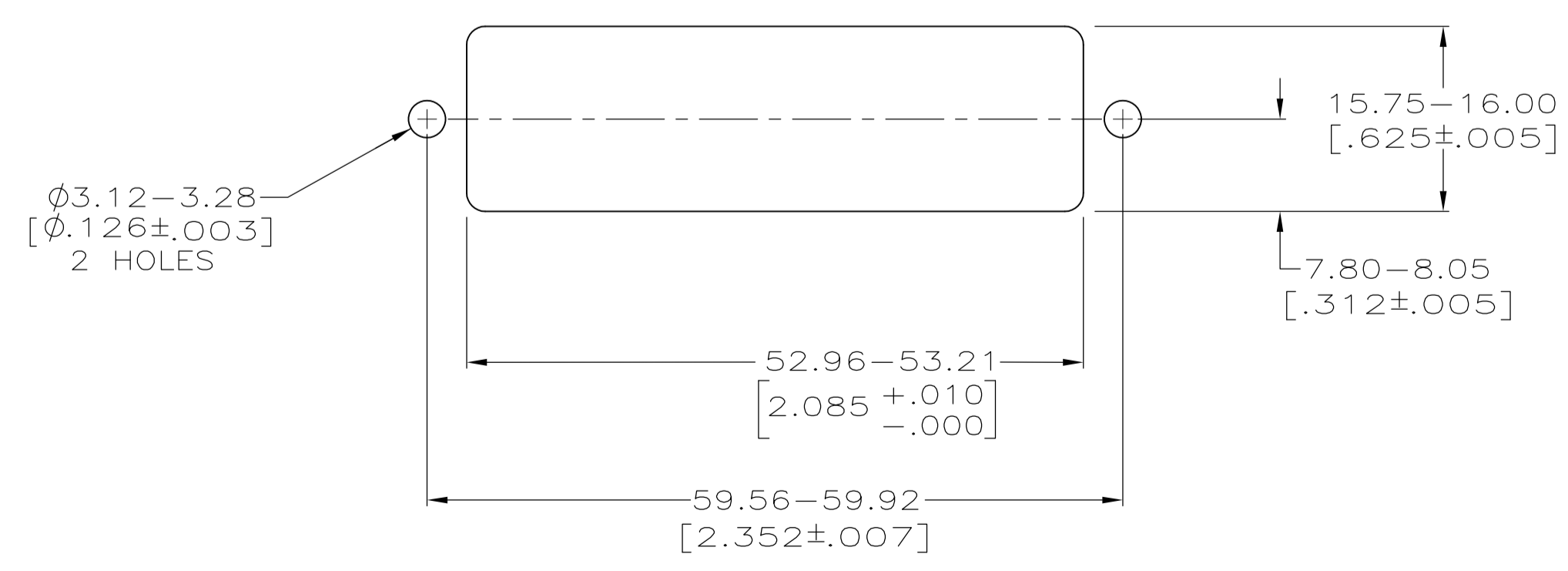
- 1 MATERIAL: HOUSING, BRACKET, PLATE & COMB - THERMOPLASTIC, BLACK, 94V-0 RATED. TERMINALS - HIGH STRENGTH COPPER ALLOY PLATED WITH EITHER 0.76μm [.000030] MIN GOLD PLATE OR GOLD FLASH OVER PALLADIUM NICKEL PLATE, 0.76μm [.000030] MIN TOTAL ON MATING SURFACE. 3.05μm [.000120] MIN TIN PLATE ON TAILS. ALL OVER 1.27μm [.000050] MIN NICKEL UNDERPLATE OVER ENTIRE TERMINAL.
- 2 TERMINAL 1 IS LOCATED IN THIS ROW FOR STANDARD ORIENTATION, 5552743-1 AND -5.
- 3 TERMINAL SUPPORT PLATE CLEARANCE FOR TERMINAL STRAIN RELIEF AND FLUX REMOVAL.
- 4 MAXIMUM PANEL THICKNESS: 1.57 [.062].
- 5 DETAIL "A" IS VIEWED FROM MATING SIDE OF PLUG ASSEMBLY.
- 6 FOR USE WITH A NO.4 BT TYPE SELF-TAPPING SCREW.
- 7. IF TERMINALS DO NOT EXTEND BELOW COMB, THEN COMB SHOULD BE PARTIALLY RETRACTED BEFORE INSERTING CONNECTOR INTO PRINTED CIRCUIT BOARD.
- 8 OBSOLETE PARTS: OBSOLETE CIS STREAMLINING PER D.RENAUD/D.SINISI



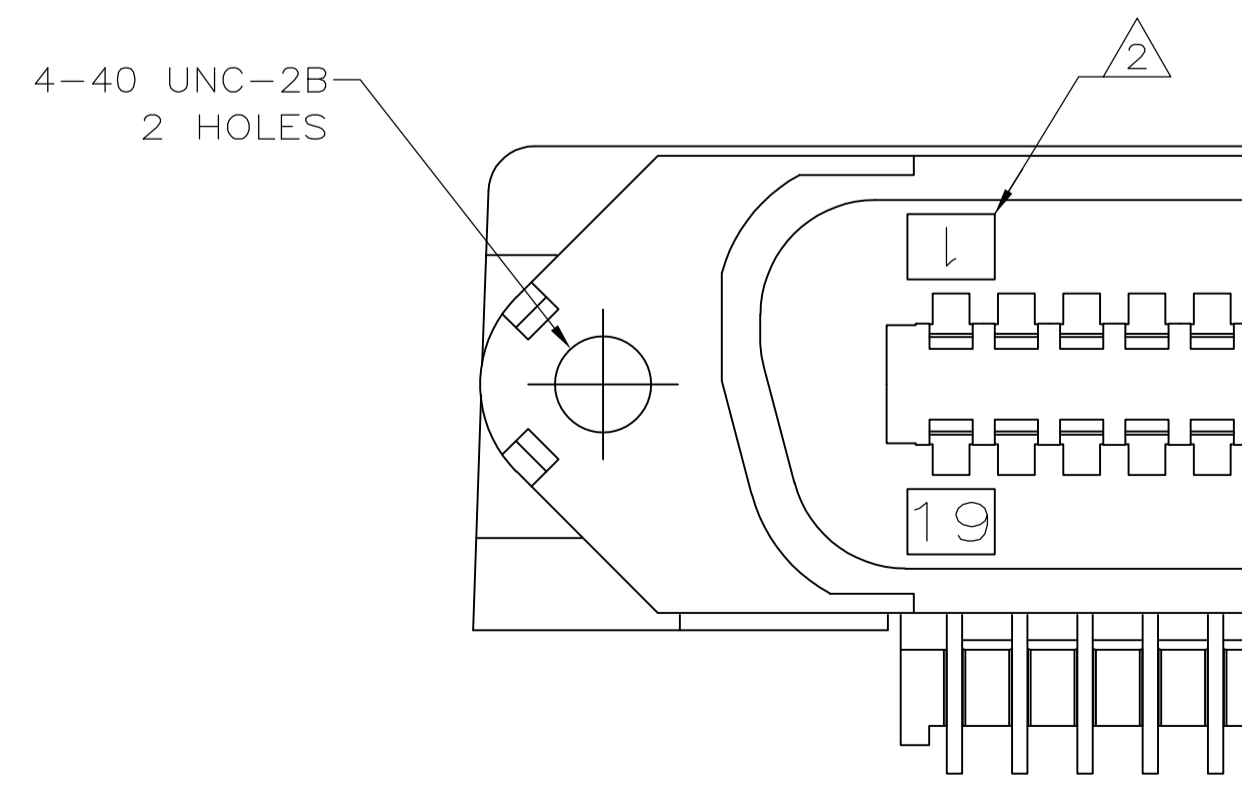
TOP VIEW



VIEW C-C ROTATED 90° CCW



SUGGESTED REAR PANEL MOUNTING CUTOUT DIMENSIONS SCALE 2:1



DETAIL A STANDARD ORIENTATION

OBSOLETE	2.54 [.100]	SELF-TAPPING	SEE DETAIL A	5552743-5
	4.75 [.187]	SELF-TAPPING	SEE DETAIL A	5552743-1
	DIM. A	TYPE OF MOUNTING	DESCRIPTION	PART NUMBER
THIS DRAWING IS A CONTROLLED DOCUMENT.				
DIMENSIONS: mm [INCHES]	TOLERANCES UNLESS OTHERWISE SPECIFIED:	DIM: B MCMMASTER 15AUG05 CHK: W. MILLHIMES 15AUG05 APVD: W. WALMSLEY 15AUG05 Tyco Electronics Corporation Harrisburg, PA 17105-3608		
0 PLC ± -	1 PLC ± -	NAME: PLUG ASSEMBLY, 36 POSITION, RIGHT ANGLE, SELF-TAPPING, CHAMP-LOK® APPLICATION SPEC: - SIZE: A1 CAGE CODE: 00779 DRAWING NO: 5552743 RESTRICTED TO: -		
2 PLC ± -	3 PLC ± 0.13 [.005]			
4 PLC ± -	ANGLES ± -			
MATERIAL	FINISH			
CUSTOMER DRAWING		SCALE: 4:1	SHEET: 1 OF 1	REV: B1