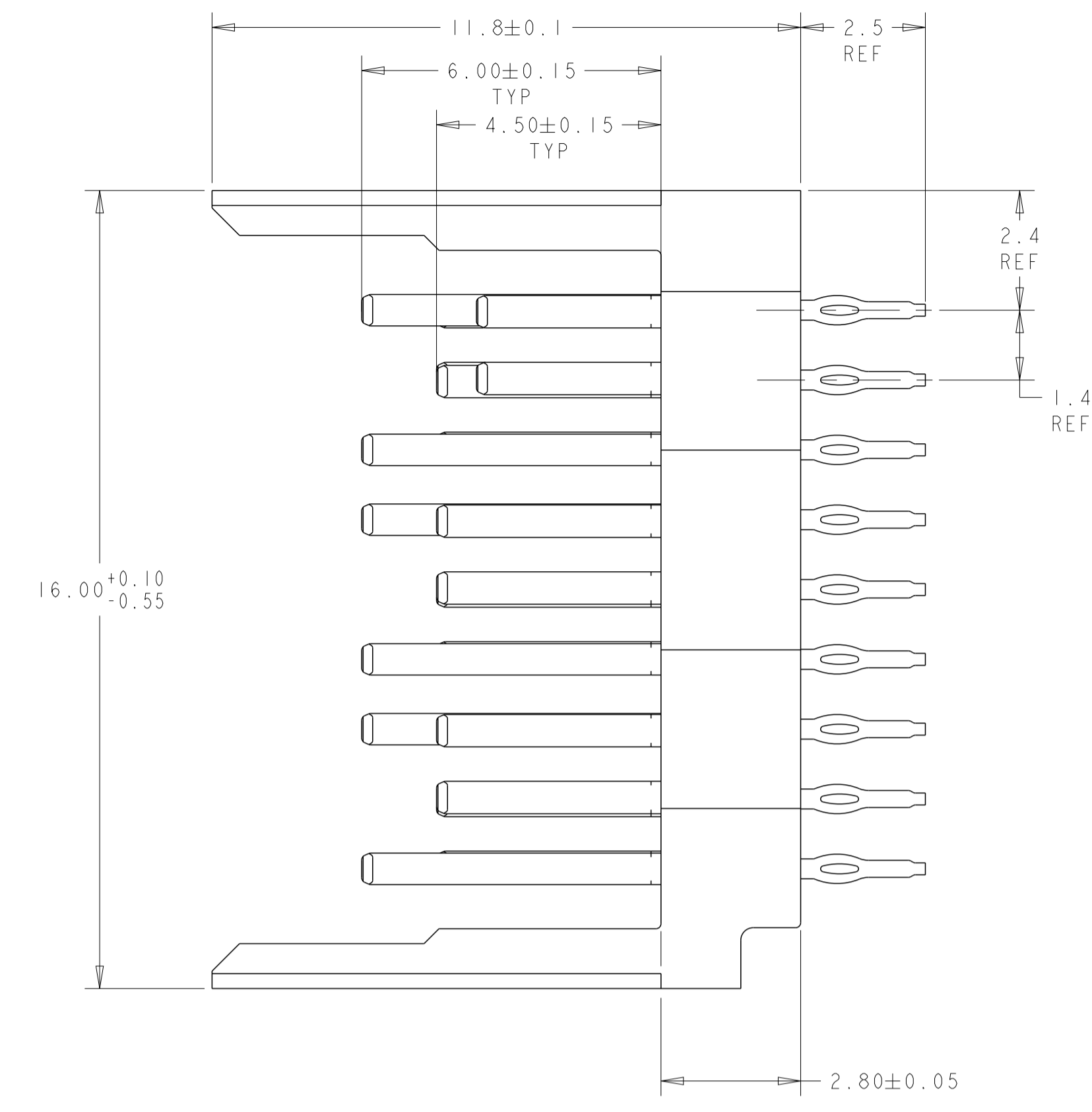
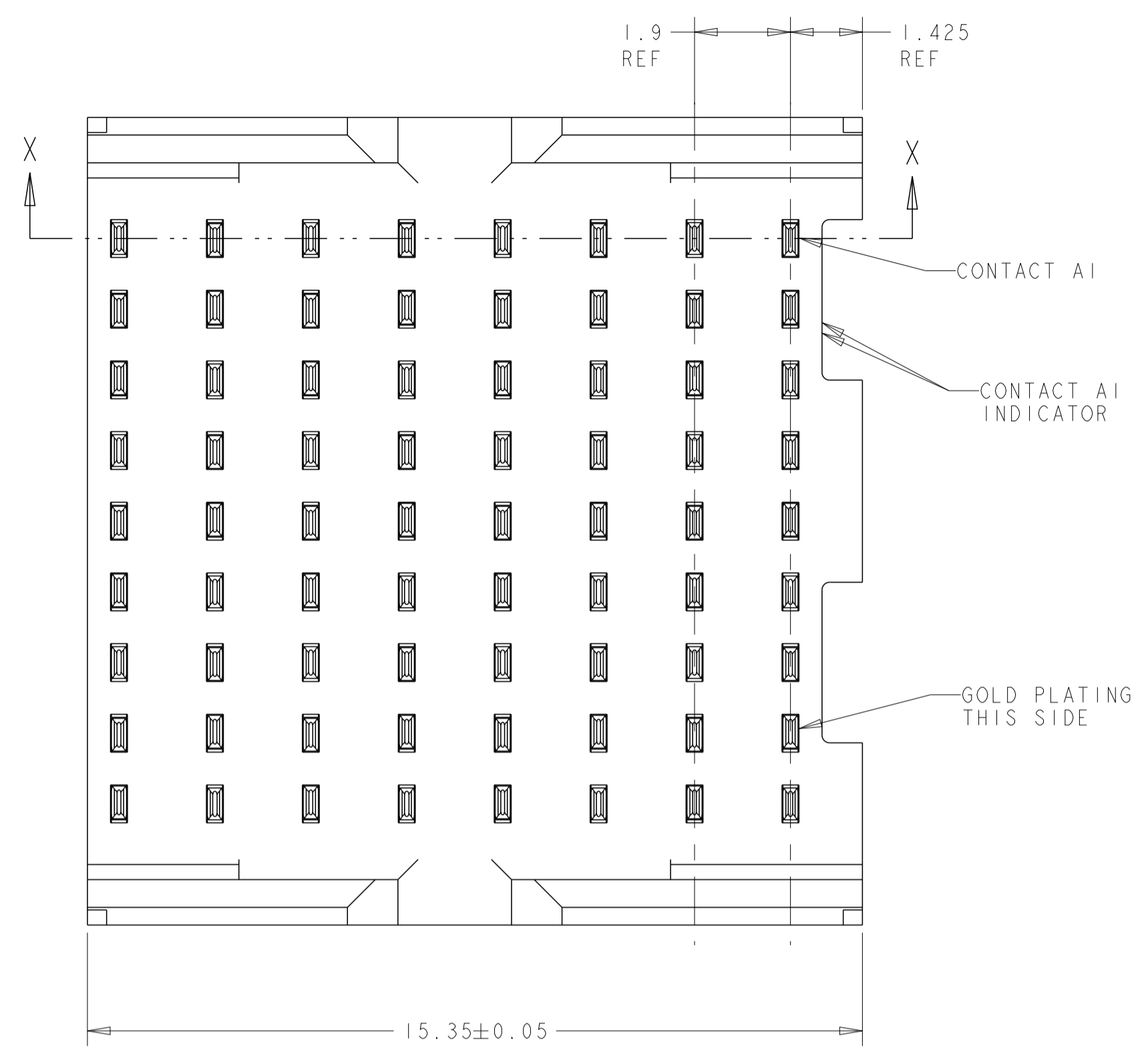
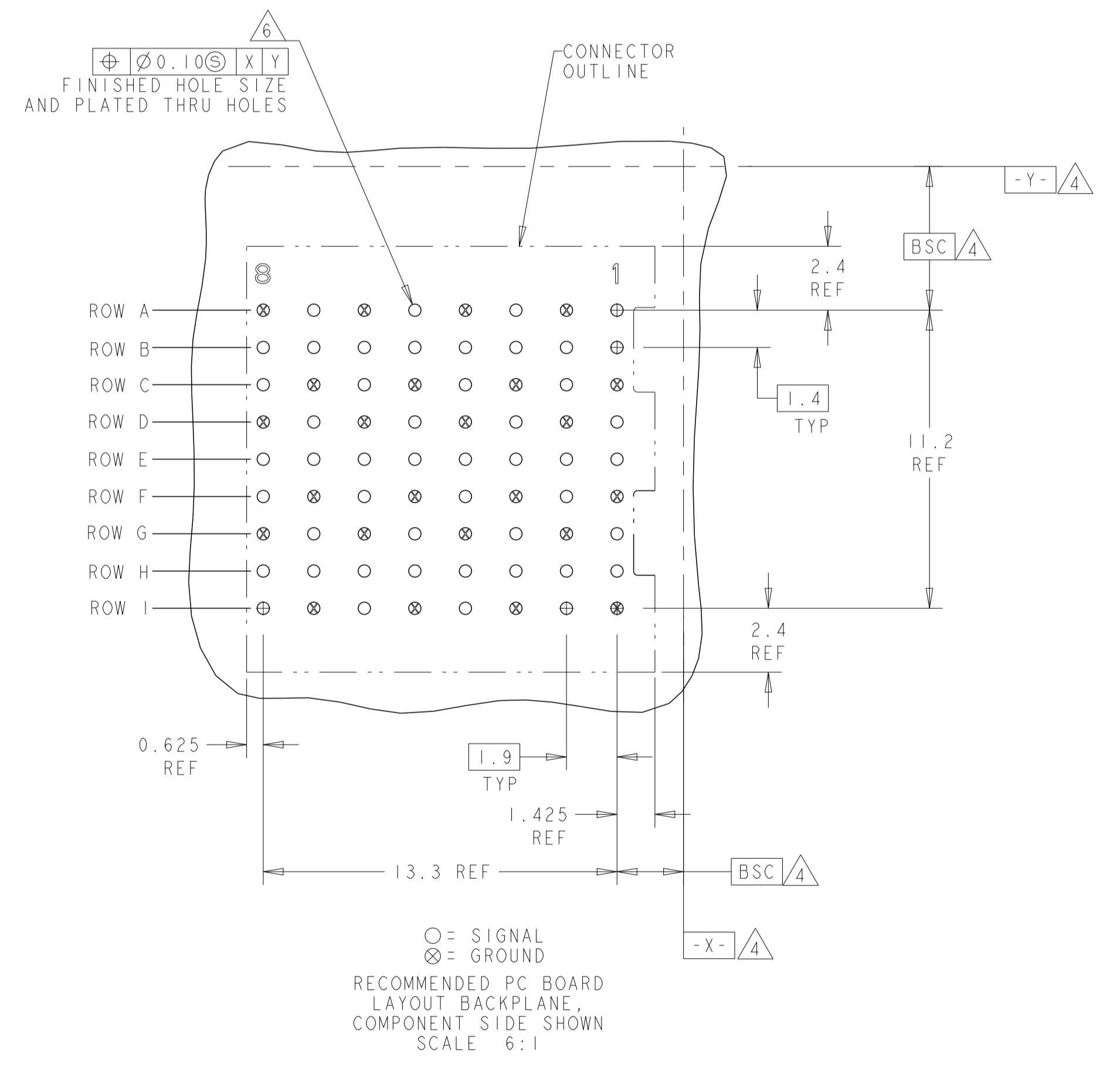
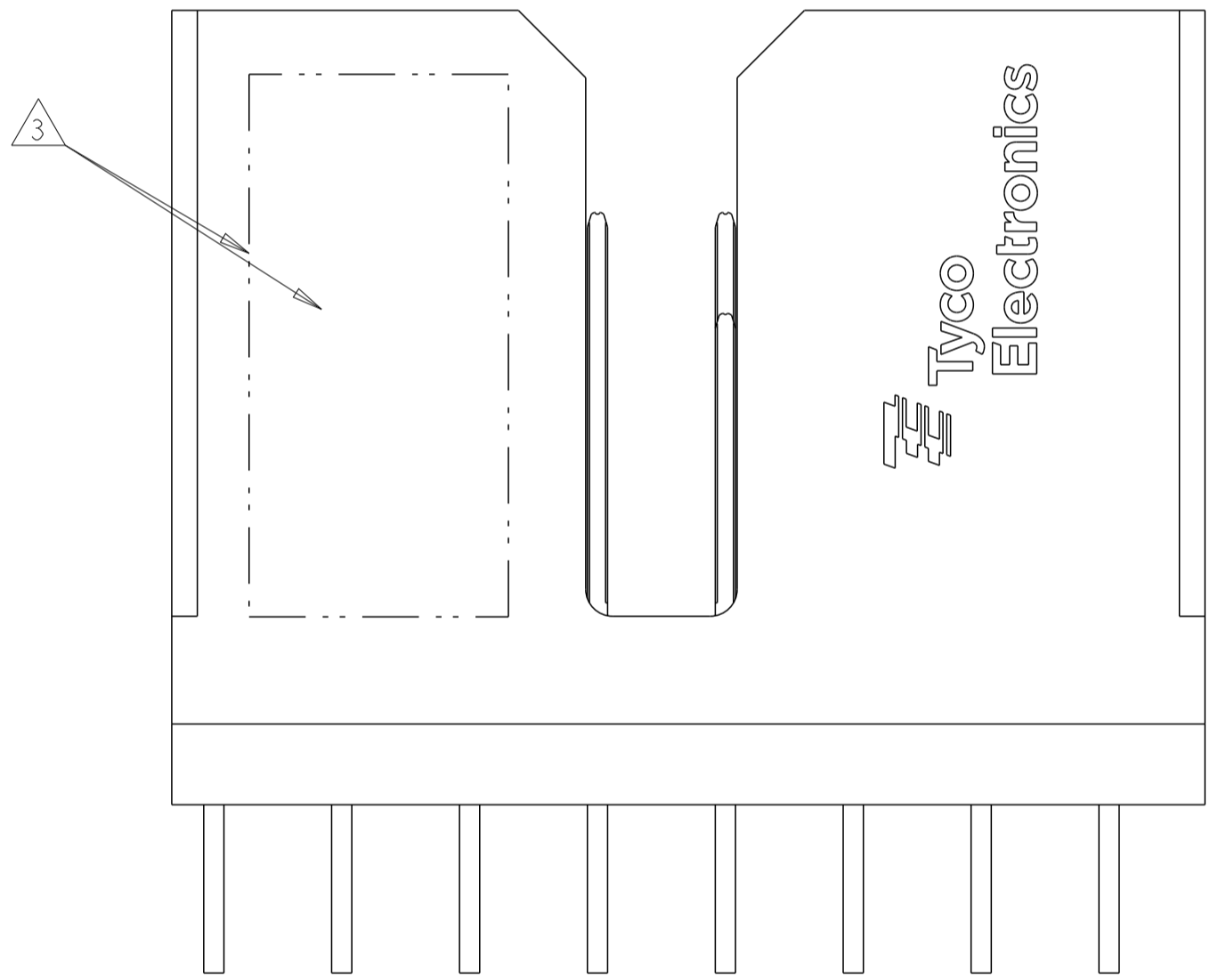


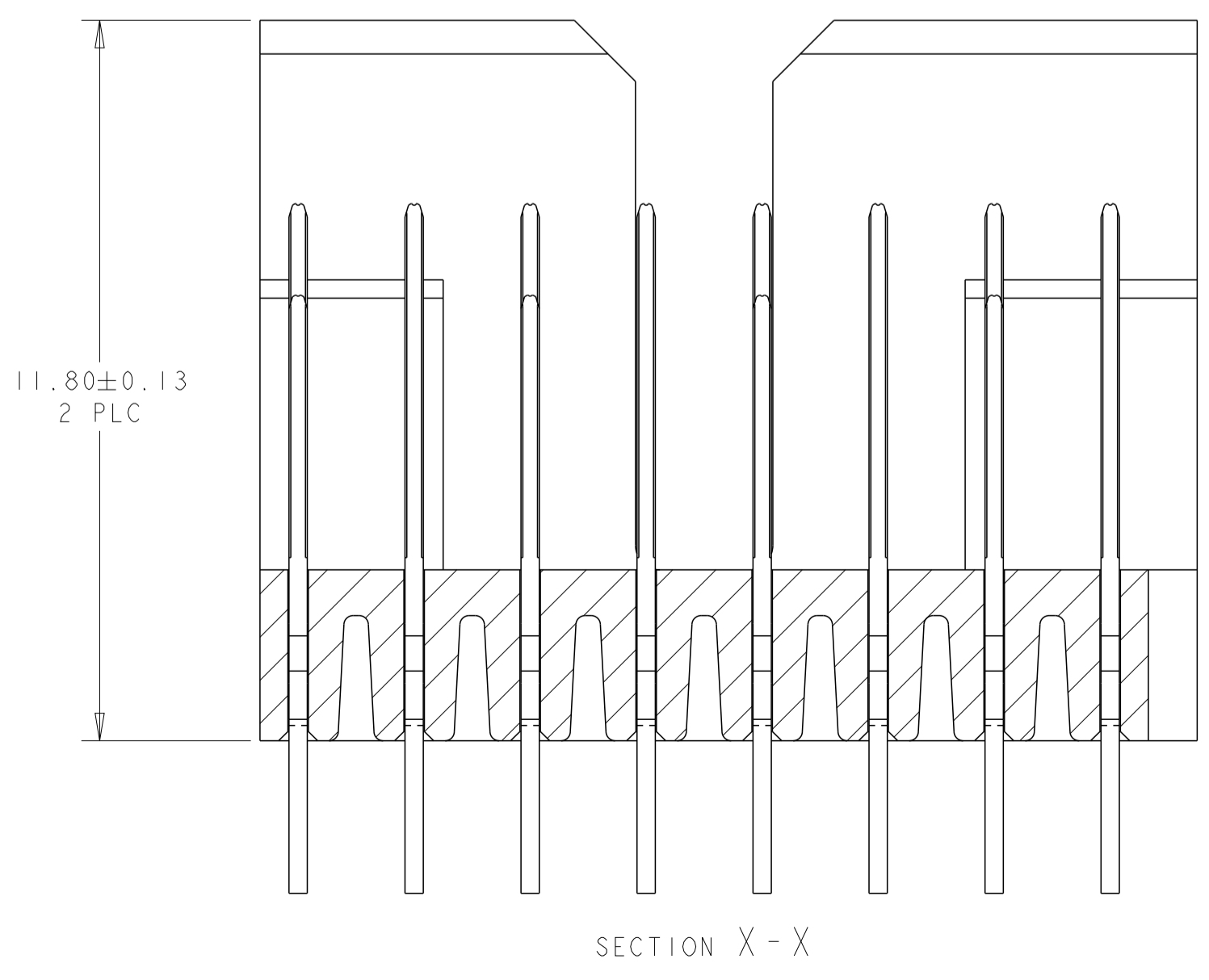
LOC	DIST	REVISIONS			
P	LTN	DESCRIPTION	DATE	DMN	APVD
D		REVISED PER ECO-13-002460	15FEB2013	KH	RP



- 1 MATERIAL:  
CONTACT - PHOS BRONZE  
HOUSING - LCP, UL 94V-0, COLOR - BLACK
- 2 FINISH:  
CONTACT AREA FINISH CONFORMS TO THE REQUIREMENTS OF TE PRODUCT SPECIFICATION 108-2303; BASED ON TELCORDIA GR-1217-CORE FOR SYSTEM QUALITY LEVEL III APPLICATIONS IN CONTROLLED ENVIRONMENTS (CENTRAL OFFICE).  
COMPLIANT PIN AREA-0.5µm MIN BRIGHT TIN-LEAD OVER 1.27µm MIN NICKEL.
- 3 CONNECTOR MARKED WITH PART NUMBER, DATE CODE, MANUFACTURING BUILDING CODE AND STANDARD IN APPROXIMATE AREA SHOWN
- 4 DATUMS AND BASIC DIMENSIONS ESTABLISHED BY CUSTOMER.
- 5 CONTACT AREA LUBRICATED WITH BELLCORE APPROVED LUBRICANT. TECHNICAL REFERENCE GR-1217-CORE, ISSUE 1, NOVEMBER 1995.
- 6 REFERENCE APPLICATION SPEC 114-13202 FOR RECOMMENDED PLATED THRU HOLE DIAMETER AND PLATING THICKNESSES.
- 7 FINISH: CONTACT  
MATING AREA - 0.76µm MIN GOLD OVER 1.27µm MIN NICKEL  
COMPLIANT PIN AREA - 0.5µm MATTE TIN OVER 1.27µm MIN NICKEL



CONTACT LAYOUT								
A = 4.50mm (DIM M)								
B = 3.70mm (DIM M)								
G = GROUND 6.00mm								
ROWS	COLUMNS							
	8	7	6	5	4	3	2	1
A	G	A	G	A	G	A	G	B
B	A	A	A	A	A	A	A	B
C	A	G	A	G	A	G	A	G
D	G	A	G	A	G	A	G	A
E	A	A	A	A	A	A	A	A
F	A	G	A	G	A	G	A	G
G	G	A	G	A	G	A	G	A
H	B	A	A	A	A	A	A	A
I	B	G	A	G	A	G	A	G



7	2065915-2
2	2065915-1
FINISH	PART NUMBER

THIS DRAWING IS A CONTROLLED DOCUMENT.

DIMENSIONS:	TOLERANCES UNLESS OTHERWISE SPECIFIED:	DMN B. CARBO 07JAN2010	CHK R. PATTERSON 07JAN2010	APVD R. PATTERSON 07JAN2010	NAME
mm	0 PLC ±				TE Connectivity
	1 PLC ±				HEADER ASSEMBLY, OPEN ENDED,
	2 PLC ±				3 PAIR, 8 COLUMN
	3 PLC ±				TinMan
	4 PLC ±				
	ANGLES ±				
MATERIAL	FINISH	WEIGHT	SIZE	CAGE CODE	DRAWING NO
			A100779	C=2065915	RESTRICTED TO
Customer Drawing		SCALE 10:1	SHEET 1	OF 1	REV D