

General Specifications

Motor Protection:

Auto Restart

Insulation Resistance:

10M Ω or over with a DC500V Megger

Dielectric Withstand Voltage: AC 700V 1s

Allowable Ambient Temperature Range:

-10°C ~ +60°C (Operating)

-40°C ~ +70°C (Storage)

(non-condensing environment)

Expected Life

60°C 20,000 Hours

Material

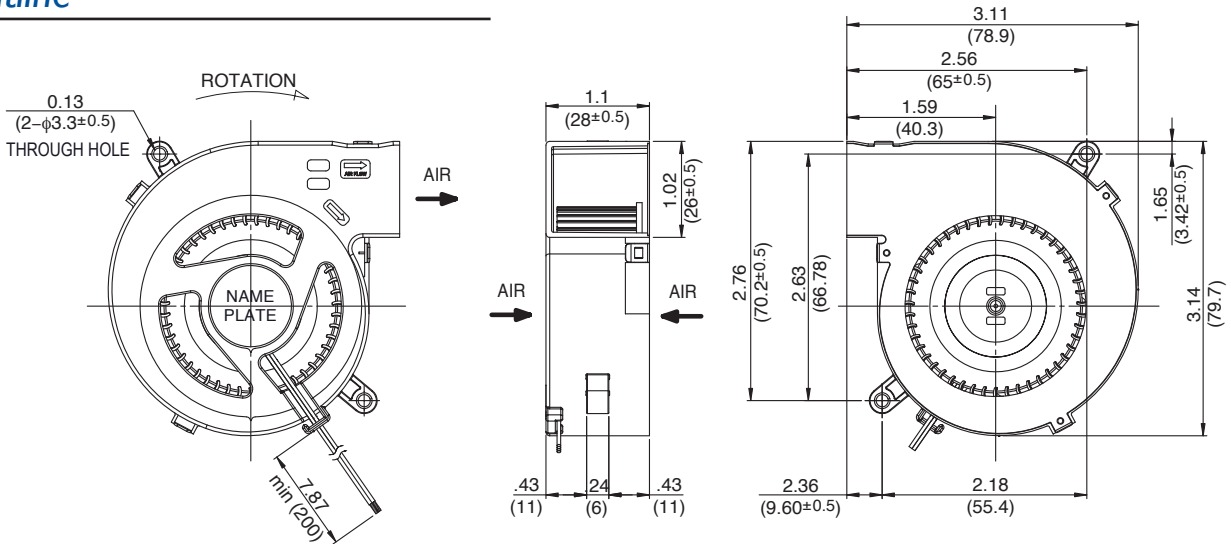
Casing : Plastic (Black) UL94V-0

Impeller : Plastic (Black) UL94V-0

Bearing : Sleeve Bearing

Lead Wire : UL1061, AWG26, +Red, -Black

Outline



Specifications

MODEL	Rated Voltage	Operating Voltage	Current	Input Power	Speed	Max. Air Flow		Max. Static Pressure		Noise	Mass
	(V)	(V)	(A) ^{*1}	(W) ^{*1}	(min ⁻¹) ^{*1}	CFM ^{*1}	(m ³ /min) ^{*1}	in H ₂ O	(Pa) ^{*1}	(dB) ^{*1}	(g)
08028GS-12L-AA-00	12	6.0 ~ 13.8	0.18	2.16	2950	13.42	0.38	.66	164	34.0	77
08028GS-12M-AA-00	12	6.0 ~ 13.8	0.25	3.00	3300	15.19	0.43	.76	190	37.0	77
08028GS-12N-AA-00	12	6.0 ~ 13.5	0.36	4.32	3650	16.95	0.48	1.07	266	40.0	77

Rotation: Clockwise

Airflow Outlet: Air Out Over Struts

*1: Average Values in Free Air

Note: PWM/Locked Rotor/Tach Available

Characteristic Curves

