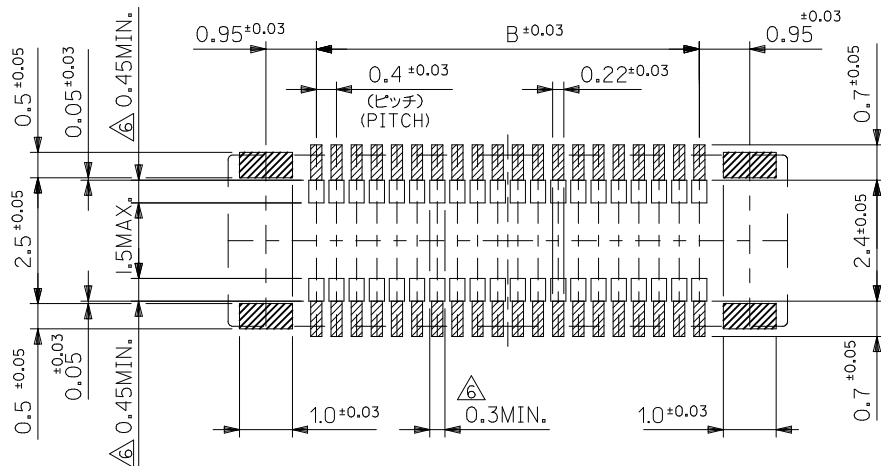


14.3	12.4	15.9	51338-6473	64
12.3	10.4	13.9	51338-5473	54
10.3	8.4	11.9	51338-4473	44
3.5	1.6	5.1	51338-9873	10
C	B	A	EMBOSSED TAPE PKG	極数
ORDER No. オーダー番号				CIRCUIT

REVISED EC NO: J2010-2586 DRWN: YON002 2010/06/24 CHKD: S. MARUYAMA 2010/06/29 APPR: MSASAO 2010/06/29	GENERAL TOLERANCES (UNLESS SPECIFIED)		DIMENSION STYLE <b>MM ONLY</b>	SCALE ---	DESIGN UNITS METRIC	THIRD ANGLE PROJECTION	
	10 UNDER ±0.2 10 OVER 30 UNDER ±0.25 30 OVER ±0.3	DRAWN BY Y. NUKANOBU	DATE 2010/01/25	TITLE <b>0.4 B-TO-B REC ASSY                  HGT=1.5 J-BEND TAIL</b>			
	ANGULAR ±3 ° DRAFT WHERE APPLICABLE MUST REMAIN WITHIN DIMENSIONS	CHECKED BY S. MARUYAMA	DATE 2010/01/25	MOLEX INCORPORATED			
	REV B	APPROVED BY M. SASAO	DATE 2010/01/25	MATERIAL NO. SEE TABLE	DOCUMENT NO. SD-51338-005	SHEET NO. 1 OF 2	

注記 NOTES:

- 使用材料 MATERIAL  
 ハウジング: 液晶ポリマー (LCP) ガラス充填 UL94V-0 (黒)  
 HOUSING: LIQUID CRYSTAL POLYMER (GLASS FILLED)  
 UL94V-0 (COLOR: BLACK)  
 ターミナル: リン青銅 (t=0.15)  
 TERMINAL: PHOSPHOR BRONZE (t=0.15)  
 金具: リン青銅 (t=0.15)  
 FITTING NAIL: PHOSPHOR BRONZE (t=0.15)
  - メッキ仕様 PLATING  
 ターミナル TERMINAL  
 金メッキ 0.2マイクロメートル以上 (コンタクト部)  
 GOLD 0.2MICROMETER MINIMUM (CONTACT AREA)  
 金メッキ 0.4マイクロメートル以下 (テール部)  
 GOLD 0.4MICROMETER MAXIMUM (TAIL AREA)  
 下地メッキ: ニッケルメッキ 1.5マイクロメートル以上  
 UNDER PLATING: NICKEL 1.5MICROMETER MINIMUM  
 \*コンタクト部とテール部はニッケルメッキによって分断されている金メッキです。  
 DIVIDE INTO PARTS THE GOLD PLATING OF THE CONTACT AND THE TAIL PART BY THE NICKEL PLATING.  
 金具 FITTING NAIL  
 錫メッキ 1.0 マイクロメートル以上  
 TIN PLATING 1.0 MICROMETER MINIMUM  
 下地メッキ: ニッケルメッキ 1.0 マイクロメートル以上  
 UNDER PLATING: NICKEL 1.0 MICROMETER MINIMUM
- ③ (全極数/2) = 偶数の場合に適用。  
 APPLY FOR (CIRCUIT/2) = EVEN.
- 嵌合相手: 55909シリーズ  
 MATE WITH: 55909 SERIES.
  - テール平坦度は、0.08以下  
 テール及び金具の平坦度は、0.1以下  
 TAIL COPLANARITY TO BE 0.08 MAXIMUM  
 TAIL AND FITTING NAIL COPLANARITY TO BE 0.1 MAXIMUM
  - ④ 同一回路以外のパターン書込み禁止範囲を示す。  
 NO PRINT CIRCUIT AREA OTHER THAN THE SAME CIRCUIT.
  - 本製品は 51338-\*\*\*3 の鉛フリー品である。  
 THIS PRODUCT IS LEAD FREE OF 51338-\*\*\*3.
  - ELV及びRoHS適合品  
 ELV AND RoHS COMPLIANT

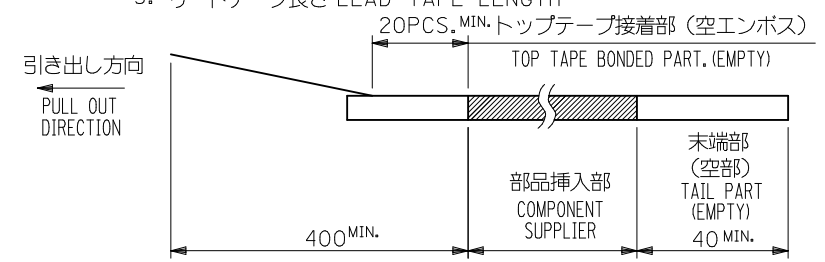


参考基板レイアウト (マウント面)  
 P.W.BOARD PATTERN DIMENSION (REFERENCE)  
 (MOUNTING AREA)

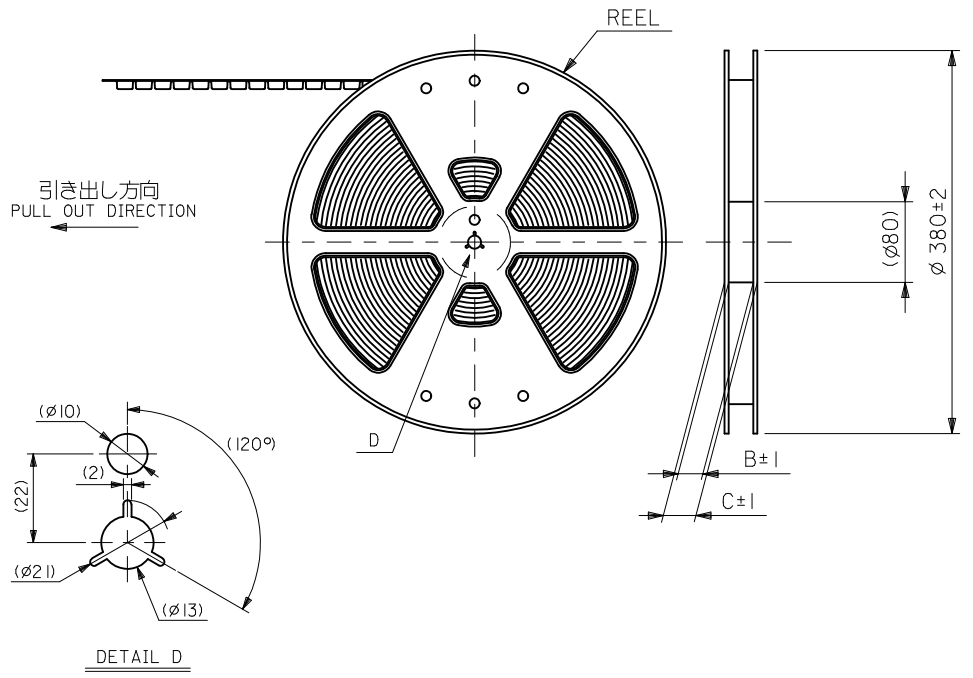
REVISED EC NO: J2010-2586 DRWN: YON002 CHKD: S. MARUYAMA APPR: MSASAO	DESCRIPTION REV	GENERAL TOLERANCES (UNLESS SPECIFIED)		DIMENSION STYLE MM ONLY	SCALE ---	CONNECTOR SERIES No.: 51338-***9
		10 UNDER	± 0.2	DRAWN BY Y. NUKANOBU	DATE 2010/01/25	DESIGN UNITS METRIC
		10 OVER 30 UNDER	± 0.25	CHECKED BY S. MARUYAMA	DATE 2010/01/25	THIRD ANGLE PROJECTION
		30 OVER	± 0.3	APPROVED BY M. SASAO	DATE 2010/01/25	TITLE 0.4 B-TO-B REC ASSY HGT=1.5 J-BEND TAIL
ANGULAR ± 3 °		DRAFT WHERE APPLICABLE MUST REMAIN WITHIN DIMENSIONS		MATERIAL NO. SEE SHEET 1	DOCUMENT NO. MOLEX INCORPORATED SD-51338-005	SHEET NO. 2 OF 2
SIZE A3 THIS DRAWING CONTAINS INFORMATION THAT IS PROPRIETARY TO MOLEX INCORPORATED AND SHOULD NOT BE USED WITHOUT WRITTEN PERMISSION						

NOTES

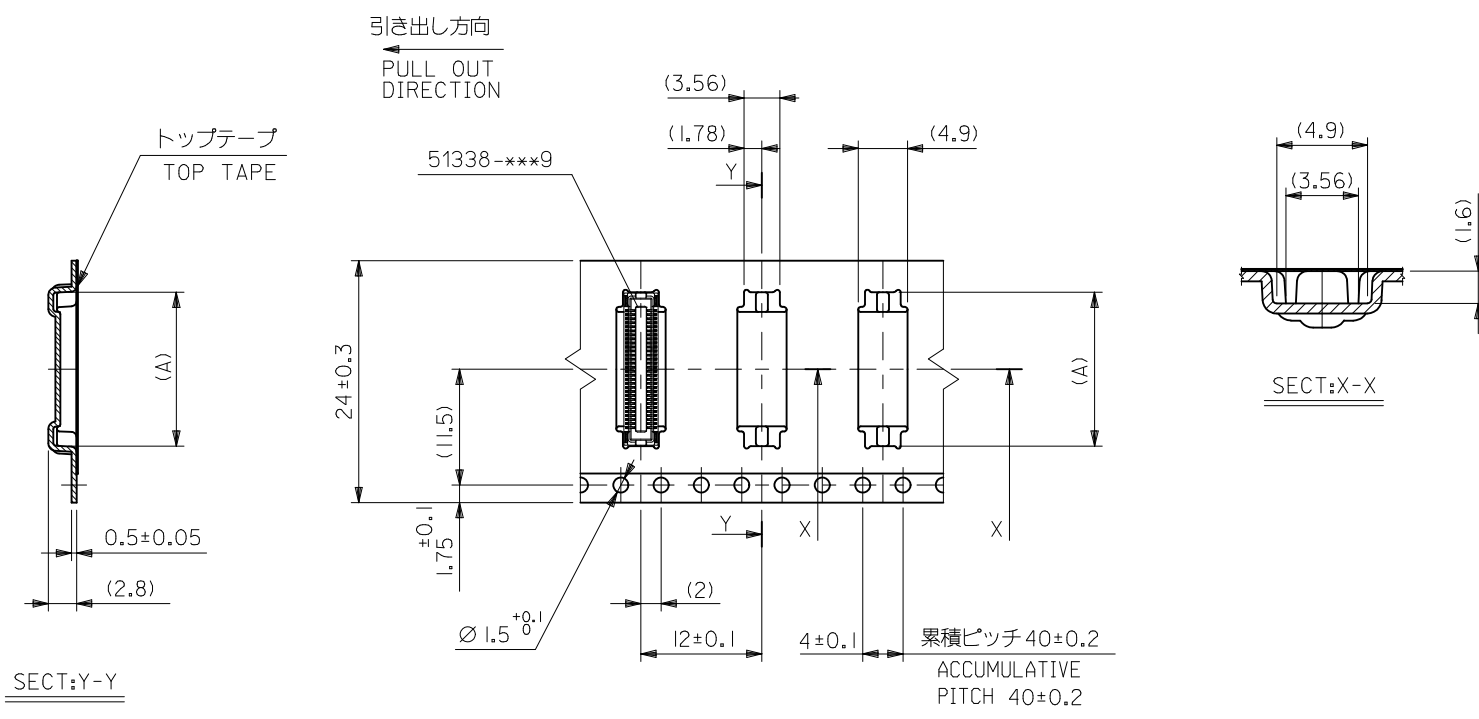
- 製品詳細寸法については、SD-51338-005 を参照下さい。  
RE DETAILED DIMENSION, SEE PRODUCT DRAWING SD-51338-005.
- 梱包数量：2500個/リール  
NUMBER OF CONNECTORS : 2500PCS/REEL
- リードテープ長さ LEAD TAPE LENGTH



- 材料  
キャリアテープ : PET  
トップテープ : PET, OTHER  
リール : PS<リサイクル材を含む>  
MATERIAL  
CARRIER TAPE : PET  
TOP TAPE : PET, OTHER  
REEL : PS <RECYCLE MATERIAL CONTAINED>
- ELV 及び RoHS 適合品。  
ELV AND RoHS COMPLIANT.



RELEASED EC NO: J2010-2586 DRWN: YON002 CHKD: APPR: MSASAO	2010/06/23 2010/06/29 2010/06/29	DESCRIPTION GENERAL TOLERANCES (UNLESS SPECIFIED)	10 UNDER ±0.2		DIMENSION STYLE MM ONLY	SCALE ---	DESIGN UNITS METRIC	MODEL NO. 51338-**-73	THIRD ANGLE PROJECTION
			10 OVER 30 UNDER ±0.25						
			30 OVER ±0.3		CHECKED BY	DATE	TITLE 0.4 B-TO-B CONN. REC HSG ASSY(HGT=1.5) EMBSTP PKG		
			ANGULAR ±3 °		APPROVED BY MSASAO	DATE 2010/06/29	MATERIAL NO. SEE CHART	DOCUMENT NO. SD-51338-006	SHEET NO. 1 OF 2
DRAFT WHERE APPLICABLE MUST REMAIN WITHIN DIMENSIONS		SIZE A3	THIS DRAWING CONTAINS INFORMATION THAT IS PROPRIETARY TO MOLEX INCORPORATED AND SHOULD NOT BE USED WITHOUT WRITTEN PERMISSION						



24mm幅キャリアテープ  
24mm WIDTH CARRIER TAPE

注記) 製品がポケット内に問題なく納まること。  
NOTE. Pocket should contain product smoothly.

24	29.4	25.4	16.06	51338-6473	64
			14.06	51338-5473	54
			12.06	51338-4473	44
			5.26	51338-9873	10
キャリアテープ幅 CARRIER TAPE WIDTH	C	B	(A)	オーダー番号 ORDER NO.	極数 CIRCUITS

RELEASED EC NO: J2010-2586 DRWN: YON002 CHKD: MSASAO APPR: MSASAO 2010/06/23 2010/06/29 2010/06/29	GENERAL TOLERANCES (UNLESS SPECIFIED)		DIMENSION STYLE MM ONLY		SCALE ---		DESIGN UNITS METRIC		MODEL NO. 51338-***73	
	10 UNDER	±0.2	DRAWN BY YON002	DATE 2010/06/23	TITLE 0.4 B-TO-B CONN. REC HSG ASSY(HGT=1.5) EMBSTP PKG					
	10 OVER 30 UNDER	±0.25	CHECKED BY	DATE	APPROVED BY MSASAO					
	30 OVER	±0.3	DATE 2010/06/29		DOCUMENT NO. SD-51338-006					
	ANGULAR ±3 °		DRAFT WHERE APPLICABLE MUST REMAIN WITHIN DIMENSIONS		MATERIAL NO. SEE CHART		SHEET NO. 2 OF 2		SHEET NO. 2 OF 2	