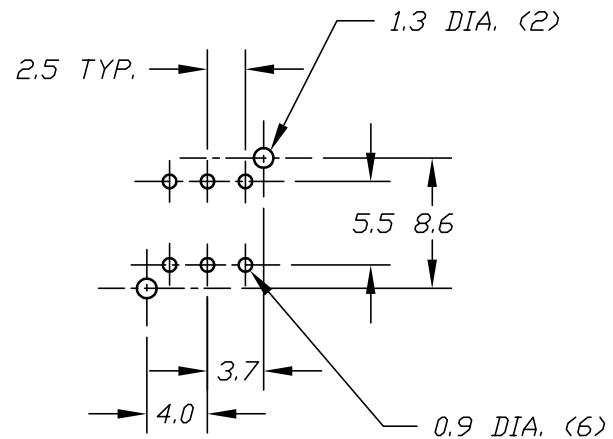
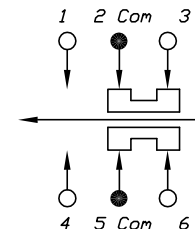
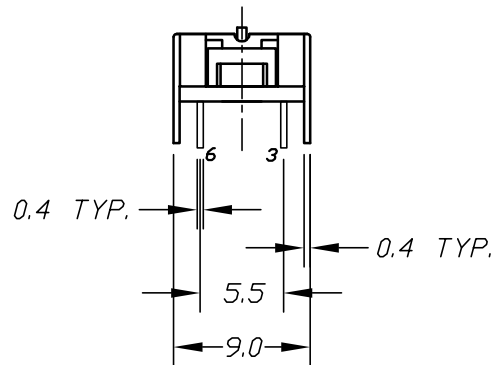
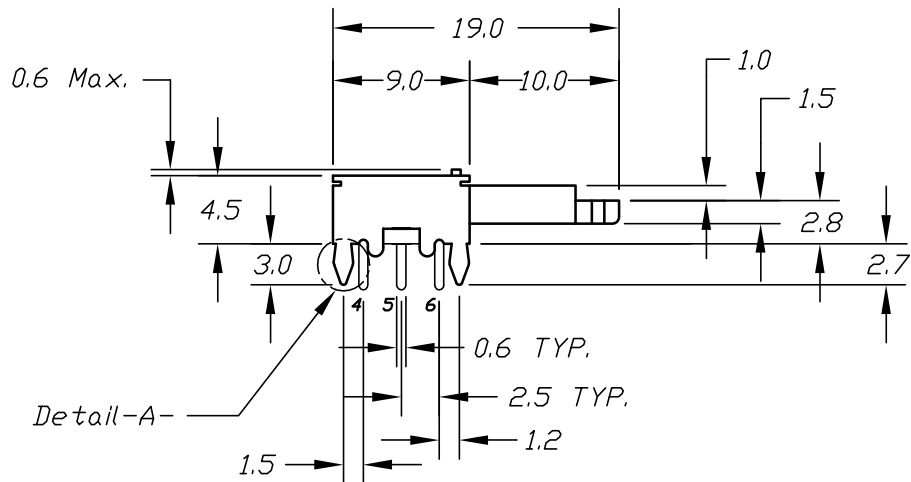


DETAIL-A- (6:1)



RECOMMEND P.C.B. HOLES



CIRCUIT: DPDT

CONTACT CONFIGURATION

NOTES:

1. ALL DIMENSIONS IN MM [IN]
2. TERM. NOS. FOR REF ONLY
3. RATING: DC 30V, 0.3A
4. TIMING: NON SHORTING
5. TRAVEL: FULL: 2.5mm, LOCK: 1.5mm
6. OPERATING FORCE: 200±100gf

				<b>E-SWITCH®</b>	
				TITLE LC 2262EE N P	
				SCALE 2:1	DATE 2/6/97
				DR MM	DWG P070240
				REV A	
A	RELEASED FOR PRODUCTION				
REV.	DESCRIPTION	DATE	CHKD		
THE INFORMATION CONTAINED IN THIS DOCUMENT IS PROPRIETARY TO E-SWITCH AND IS NOT TO BE COPIED OR TRANSFERRED				TOLERANCES	
				0.0	±0.4
				0.00	±0.25