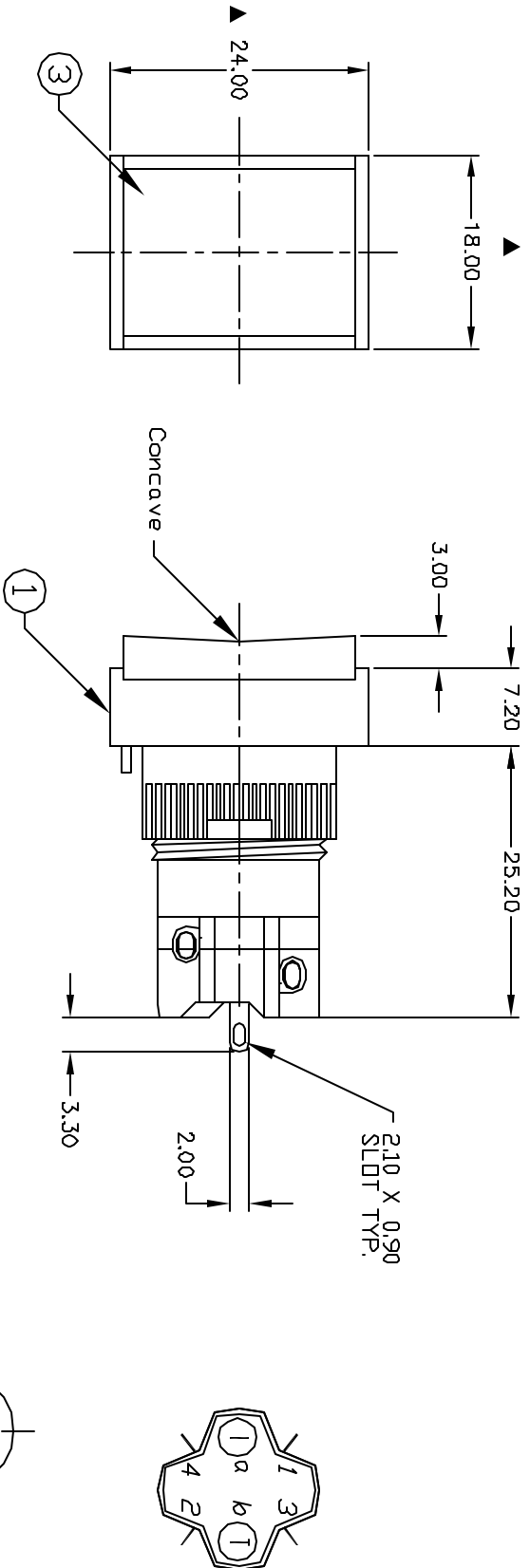


PARTS LIST

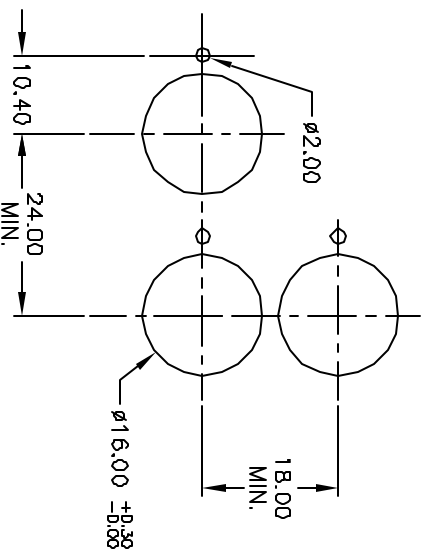
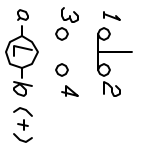
| ITEM | QTY. | PART NO. | PART DESCRIPTION |
|------|------|----------|-------------------------------|
| 1 | 1 | F040004 | D16 EE T1 1 |
| 2 | 1 | F050404 | 50-004-04 (Incandescent Bulb) |
| 3 | 1 | F052201 | 50-002-01 (Opaque BLU lens) |



NOTES:

1. ALL DIMENSIONS IN MM
2. GENERAL TOLERANCE: X.X=±0.4
X.XX=±0.25
3. RATINGS: 5A @250V AC
8A @125V AC
4. TRAVEL: 3.0mm
5. CONTACT MATERIAL:
COPPER ALLOY W/Silver Plating
- ▲ 6. LAMP VOLTAGE: 14V AC/DC 80mA
7. ▲ DENOTES CRITICAL PARAMETER.

CONTACT CONFIGURATION
SPST



| REV. | ECN No. | DESCRIPTION | DATE | CHKD |
|------|---------|-------------------------|--------|------|
| A | 13223 | RELEASED FOR PRODUCTION | 7/8/03 | AR |

| TITLE | SCALE | DATE | DR | DWG | REV |
|--------------|-------|--------|----|---------|-----|
| D16EET11BBLU | 1.5:1 | 7/8/03 | AR | XF0560P | A |

E-SWITCH®

THE INFORMATION CONTAINED IN THIS DOCUMENT IS PROPRIETARY TO E-SWITCH AND IS NOT TO BE COPIED OR TRANSFERRED