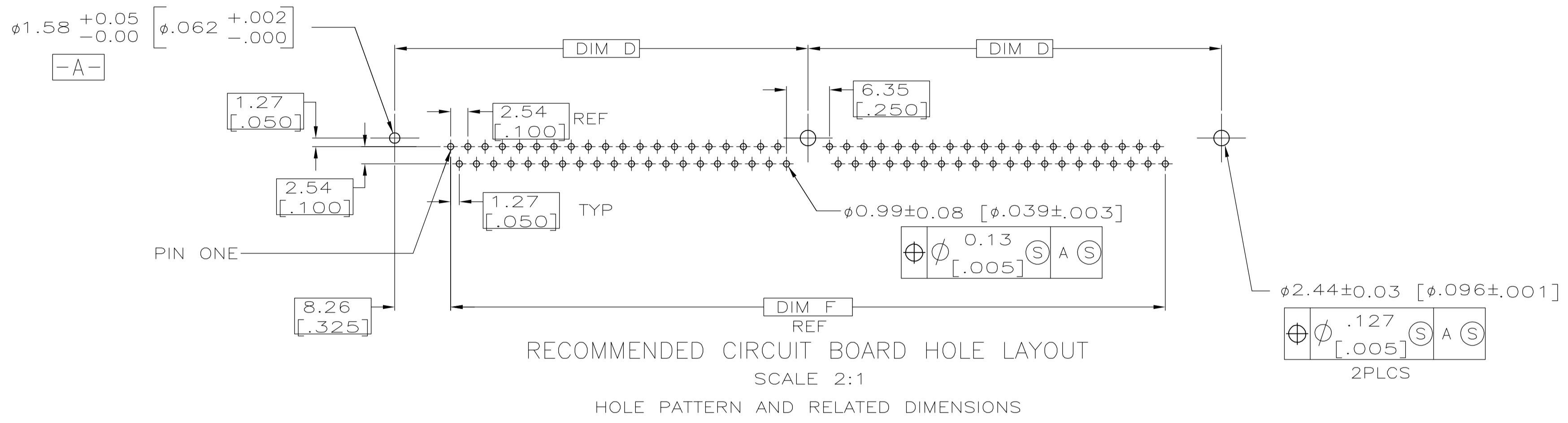
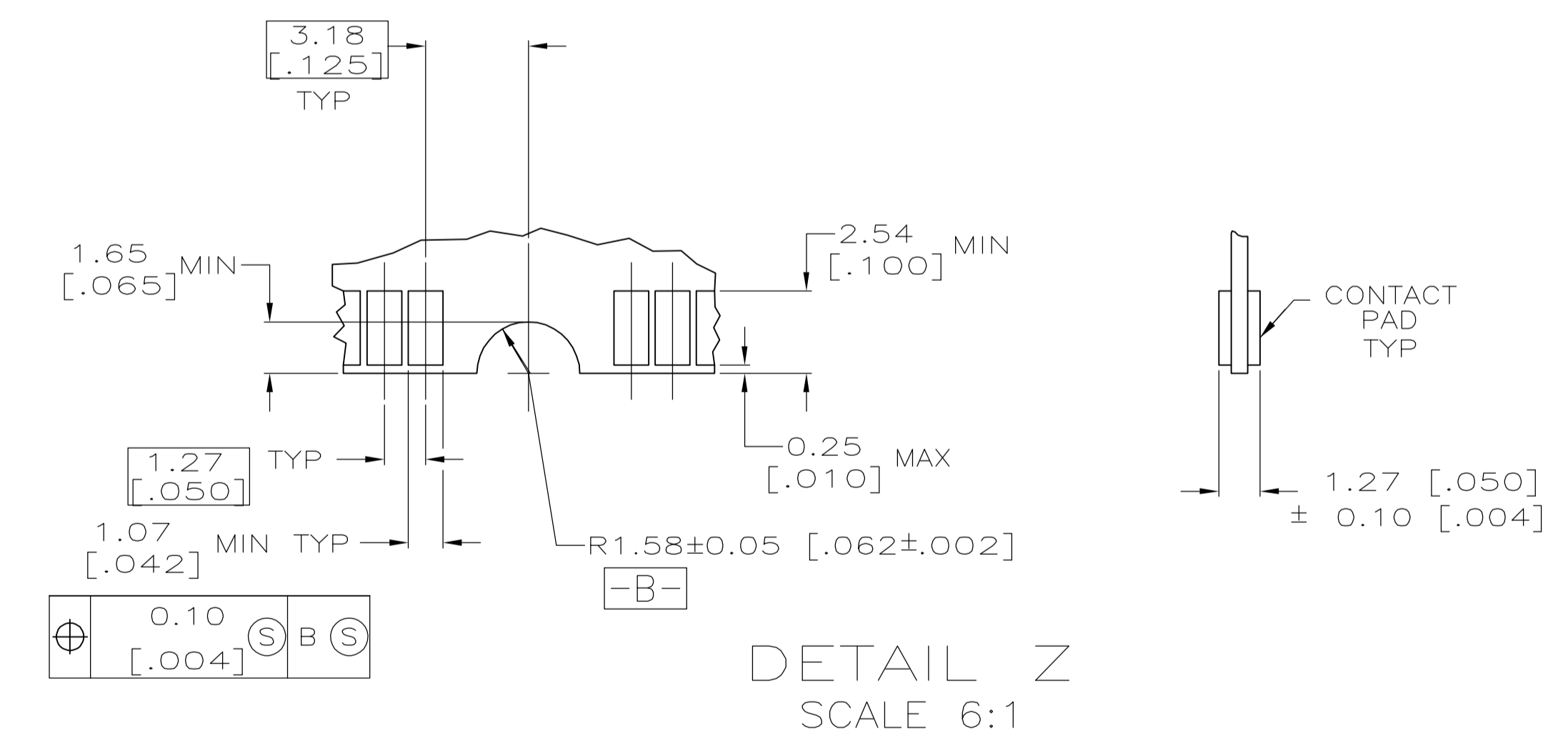
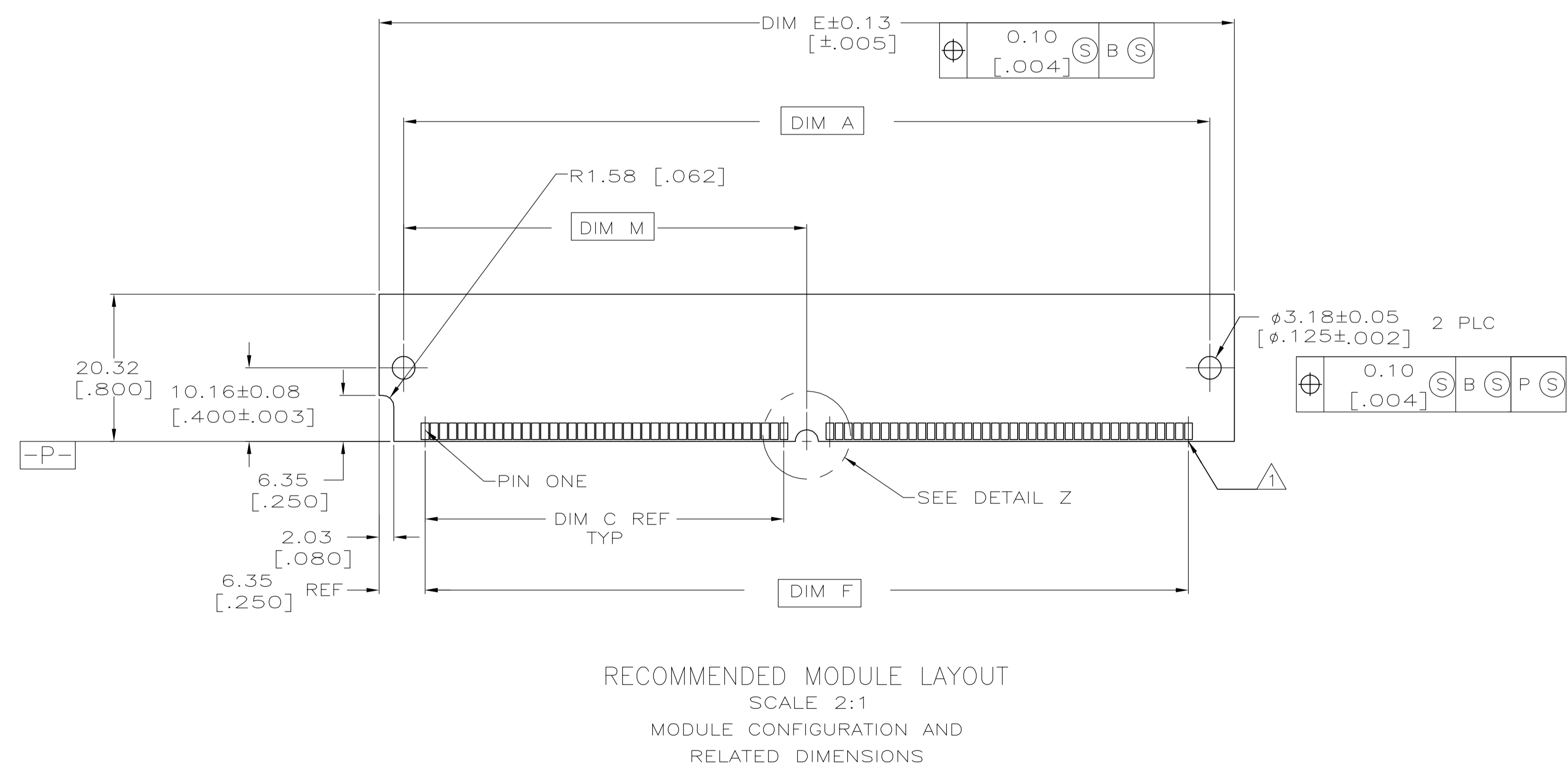


THIS DRAWING IS A CONTROLLED DOCUMENT.		DIN WENKE HE 1APROS		Tyco Electronics Corporation Shanghai, P.R.China, 200233	
DIMENSIONS: mm [INCHES]		CHK STEVEN YAO 1APROS		APVD IENOMOTO 1APROS	NAME ASSY, SIMM II, RTANG, 1.27[.050], 8.26[.325] HEIGHT
TOLERANCES UNLESS OTHERWISE SPECIFIED:		PRODUCT SPEC		APPLICATION SPEC	
0 PLC ± -		APPLICATION SPEC		SIZE	
1 PLC ± -		APPLICATION SPEC		CAGE CODE	
2 PLC ± -		APPLICATION SPEC		DRAWING NO	
3 PLC ± 0.13[.005]		APPLICATION SPEC		RESTRICTED TO	
4 PLC ± -		APPLICATION SPEC		WEIGHT	
ANGLES ± -		APPLICATION SPEC		A1 00779 C=5382818	
FINISH		APPLICATION SPEC		CUSTOMER DRAWING	
MATERIAL HOUSING: GLASS REINFORCE		APPLICATION SPEC		SCALE 4:1	
		APPLICATION SPEC		SHEET 1 OF 2	
		APPLICATION SPEC		REV A	



⚠ FOR OPTIMUM PERFORMANCE, CONTACT PAD PLATING SHOULD BE SMOOTH AND FLAT. COPPER CONTACT PADS ARE TO BE OVERPLATED WITH .00127[.000050] MIN THK NICKEL FOLLOWED WITH .00101[.000040] MIN THK GOLD PLATING.

⚠ CONTACT MATING AREA:  
 GOLD FLASH ON 80/20 PALLADIUM-NICKEL 0.00051 [.000020] MIN THICK.  
 SOLDER TAIL: 0.00005 [.000002] MIN. THK GOLD.  
 UNDERPLATE: 0.00127 [.000050] MIN. THK NICKEL OVER ENTIRE CONTACT.



50.60 [1.992]	111.76 [4.400]	95.25[3.750]	107.95[4.250]	55.88[2.200]	44.45[1.750]	115.57[4.550]	101.19[3.984]	72	7-5382818-2
DIM M	DIM J	DIM F	DIM E	DIM D	DIM C	DIM B	DIM A	POSN	PART NO

THIS DRAWING IS A CONTROLLED DOCUMENT.

DIMENSIONS: mm [INCHES]	TOLERANCES UNLESS OTHERWISE SPECIFIED:	0 PLC ± -	1 PLC ± -	2 PLC ± -	3 PLC ± 0.13[.005]	4 PLC ± -	ANGLES ± ± -
MATERIAL	FINISH	WEIGHT	SIZE	CAGE CODE	DRAWING NO	RESTRICTED TO	
			A1	00779	5382818		

CUSTOMER DRAWING SCALE 4:1 SHEET 2 OF 2 REV A

tyco Electronics Tyco Electronics Corporation Shanghai, P.R.China, 200233

ASSY, SIMM II, RTANG, 1.27[.050], 8.26[.325] HEIGHT