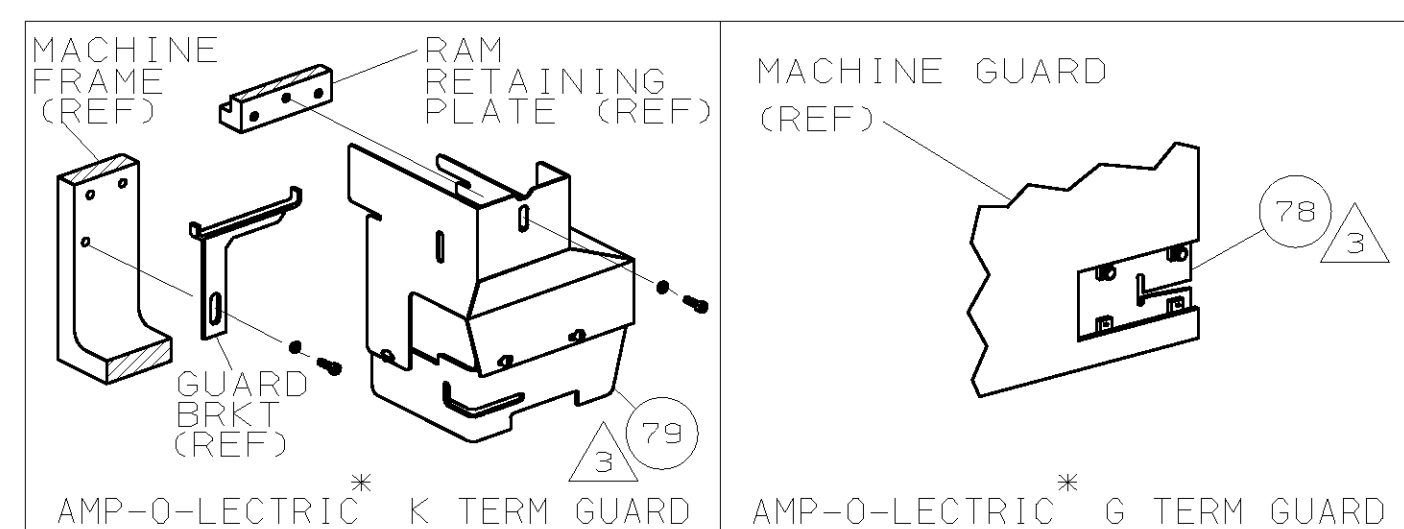


PART NUMBER	REV	FIRST USED
680038-1	B	854400-1
680038-2	B	565435-5
680038-3	B	354500-1

PRELIMINARY

PRELIMINARY

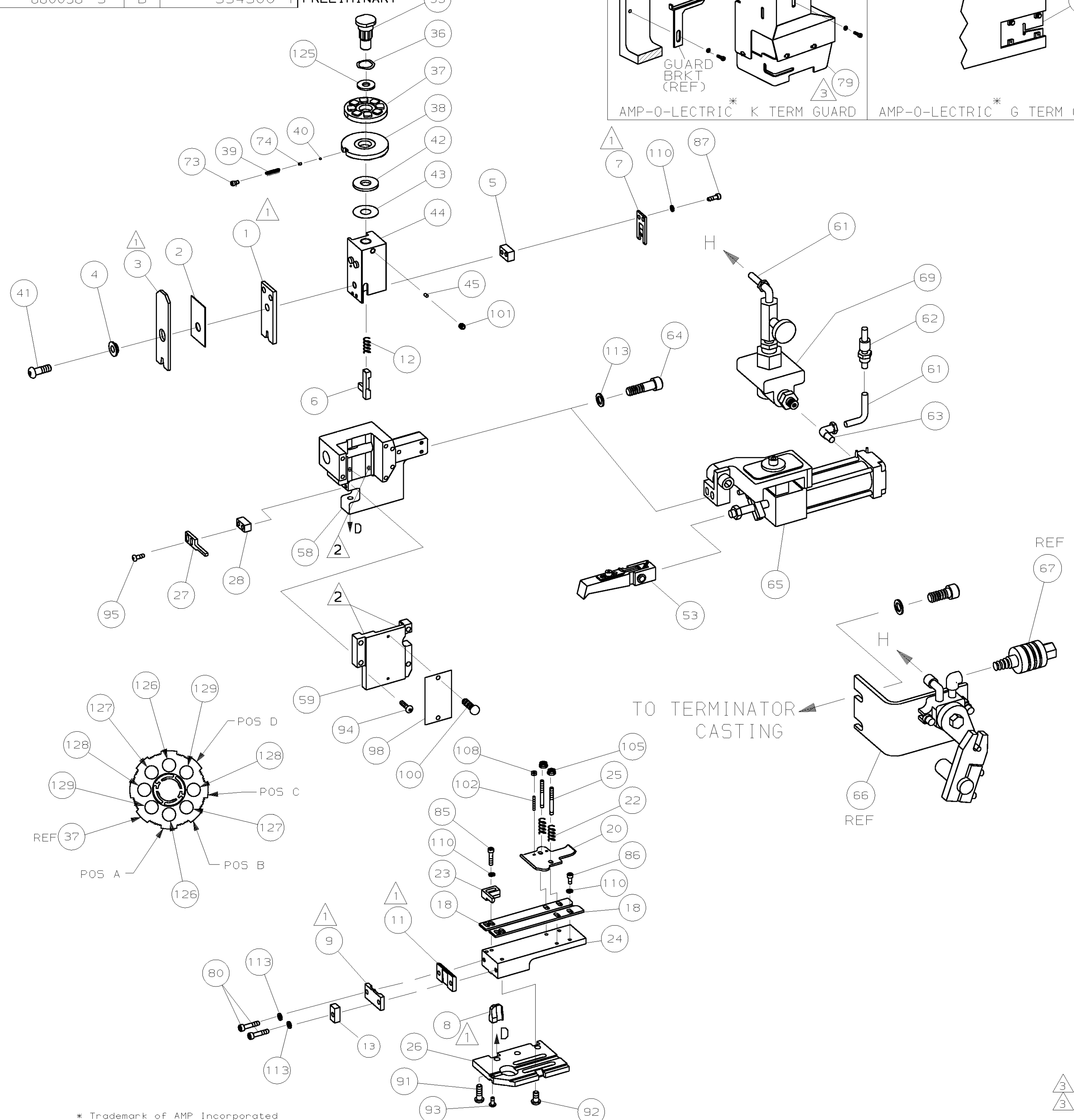


TERM	APPL	SPEC
		-

CRIMPING DATA			
PAD LTR	CRIMP HEIGHT	WIRE SIZE	
A	.115 ±.002	10	
B	.100 ±.002	(2) 14	
C	.095 ±.002	12	
D	.083 ±.002	14	
CRIMP	SIZE	TYPE	RANGE
WIRE	.130	F	14 - 10
INSUL	.170	OV	.150 - .200
FEED	APPL INST	SET UP GAGE	LAYOUT
.841		458638-1	3
WIRE STRIP LENGTH			
-			

QTY	RECD	PER ASSY	PART NO	DESCRIPTION	ITEM NO
-1			LEADMAKER	AIRFEED	
-2			BENCH MODEL K	AIRFEED	
-3			BENCH MODEL G	AIRFEED	

THIS DRAWING IS A CONTROLLED DOCUMENT.



- 1 RECOMMENDED SPARE PARTS.
- 2 GREASE LIGHTLY.
- 3 GUARD MUST BE IN PLACE WHEN OPERATING APPLICATOR IN AMP-0-LECTRIC MACHINE.
- 4 SEE DRAWING FOR COMPONENTS

QTY	RECD	PER ASSY	PART NO	DESCRIPTION	ITEM NO		
2	2	2	-	C	354779-6	PIN, WIRE DISC (.3020)D	129
2	2	2	-	C	8-354778-1	PIN, WIRE DISC (.2900)C	128
2	2	2	-	C	7-354778-1	PIN, WIRE DISC (.2850)B	127
2	2	2	-	C	3-354778-9	PIN, WIRE DISC (.2690)A	126
1	1	1	-	A	986950-1	WASHER, FLAT PRECISION	125
							124
							123
							122
							121
							120
							119
							118
							117
							116
							115
							114
4	4	4	-	A	21024-5	WASHER, LOCK (NO.10) SHEAR PL	113
							112
7	7	7	-	A	21024-4	WASHER, LOCK (NO.8) SHEAR BL	110
							109
2	2	2	-	A	21018-4	NUT, HEX (4-40) DRAG	108
							107
							106
2	2	2	-	A	21022-2	NUT, HEX 5L (8-32) DRAG STUD	105
							104
							103
2	2	2	-	A	4-21078-8	SKT SKT SET (4-40x.75) DRAG	102
1	1	1	-	A	21009-2	SCR, SKT SET (1/4-20x.25) RAM	101
2	2	2	-	A	21017-2	SCR, DRIVE (#2x.19) ID PLATE	100
							99
1	1	1	-	B	461264-1	PLATE, IDENTIFICATION	98
							97
							96
2	2	2	-	A	2-21002-2	SCR, BHC (8-32x.50) STRIPPER	95
4	4	4	-	A	2-21002-9	SCR, BHC (10-32x.75) CAP	94
1	1	1	-	A	22733-8	SCR, BHC (8-32x.38 LW) ANVIL	93
4	4	4	-	A	3-21002-3	SCR, BHC (1/4-20x.50) ST 6D PL	92
3	3	3	-	A	2-22733-8	SCR, BHC (1/4-20x.62) H5G	91
							90
							89
							88
2	2	2	-	A	2-21000-7	SCR, 5HC (8-32x.50) SLUG BLADE	87
3	3	3	-	A	2-21000-6	SCR, 5HC (8-32x.38) STRIP GUIDE	86
2	2	2	-	A	2-21000-9	SCR, 5HC (8-32x.75) R STRIP GUIDE	85
							84
							83
							82
							81
2	2	2	-	A	3-21000-8	SCR, SKT CAP (10-32x.88) 5H PL	80
-	1	-	-	A	455750-7	GUARD ASSY	79
REF	-	-	-	A	679532-1	INSERT, GUARD	78
							77
							76
							75
1	1	1	-	A	690603-1	SPRING, ASSIST	74
1	1	1	-	A	23030-1	SCR, SKT CAP (6-32x.25) CP DSC	73
							72
							71

QTY	RECD	PER ASSY	PART NO	DESCRIPTION	ITEM NO		
1	1	1	-	C	692655-5	AIR FEED VALVE ASSY	70
-	REF	-	-	A	24042-2	VALVE, SHUT OFF	67
-	REF	-	-	C	692655-6	AIR FEED VALVE ASSY	66
1	1	1	-	B	460277-1	AIR FEED ASSY	65
2	2	2	-	A	3-21000-9	SCR, 5HC 10-32x1.00 AIR ASSY	64
1	-	1	-	A	22294-6	ELBOW, TUBING 1/8NPT - 1/4 T	63
1	-	1	-	A	23238-1	QUICK DISCONNECT	62
12.00	12.00	12.00	IN	A	27319-4	TUBING, POLY-FLO Ø.25	61
							60
1	1	1	-	C	454220-1	CAP, RAM	59
1	1	1	-	D	453736-1	HOUSING	58
							57
							56
							55
							54
1	1	1	-	B	460680-2	FEED FINGER ASSY	53
							52
							51
							50
							49
							48
							47
							46
1	1	1	-	A	690191-1	PLUG, NYLON	45
1	1	1	-	C	455674-1	RAM	44
1	1	1	-	A	690125-1	WASHER, LAMINATED	43
1	1	1	-	A	1-690124-0	WASHER, RAM	42
1	1	1	-	A	7-21002-9	BOLT, CRIMPER (5/16-24x1.00)	41
1	1	1	-	A	23241-6	BALL, STEEL	40
1	1	1	-	A	690170-1	SPRING, COMPRESSION	39
1	1	1	-	C	690142-1	DISC, INSULATION	38
1	1	1	-	D	354777-1	WIRE DISC, PLASTIC	37
1	1	1	-	A	22480-5	WASHER, SPRING	36
1	1	1	-	B	690212-1	POST, RAM	35
							34
							33
							32
							31
							30
							29
1	1	1	-	B	3-690451-2	SPACER, STRIPPER	28
1	1	1	-	A	240639-1	STRIPPER	27
1	1	1	-	D	455676-1	PLATE, BASE	26
2	2	2	-	A	22354-8	DRAG, STUD	25
1	1	1	-	B	455678-1	PLATE, STRIP GUIDE	24
1	1	1	-	C	240825-2	PLATE, STRIP HOLD DOWN	23
2	2	2	-	A	4-22281-1	SPRING, DRAG	22
							21
1	1	1	-	A	454177-1	DRAG, STOCK	20
							19
2	2	2	-	C	454204-4	GUIDE, STRIP (FRONT)	18
							17
							16
							15
							14
1	1	1	-	C	1-690481-8	SPACER, HOLD DOWN	13
1	1	1	-	A	23846-1	SPRING, HOLD DOWN	12
1	1	1	-	B	240644-1	PLATE, REAR SHEAR	11
							10
1	1	1	-	B	1-690495-5	PLATE, FRONT SHEAR	9
1	1	1	-	D	7-683452-6	ANVIL	8
1	1	1	-	B	690474-8	BLADE, SLUG	7
1	1	1	-	D	2-455892-4	HOLD DOWN, TERMINAL	6
1	1	1	-	C	240641-7	SPACER, SLUG BLADE	5
1	1	1	-	B	238009-1	SPACER, BLOCK CRIMPER	4
1	1	1	-	C	854830-2	CRIMPER, INSULATION	3
1	1	1	-	B	1-455888-2	SPACER, CRIMPER	2
1	1	1	-	C	456410-2	CRIMPER, WIRE	1

THIS DRAWING IS UNRELEASED. RELEASE FOR PUBLICATION BY AMP INCORPORATED. ALL RIGHTS RESERVED. COPYRIGHT 1993

LOC A DIST 66

DIMENSIONS IN INCHES. DO NOT SCALE PRINT. TOLERANCES UNLESS OTHERWISE SPECIFIED: 2 PLC DEC ±.25 3 PLC DEC ±. 4 PLC DEC ±- ANGLES ± - SURF TEXTURE: REMOVE BURRS, BREAK SHARP EDGES R.015 MAX

MATL - HT TR - FIN -

DR 12/14/93 JC BAKER APP 12/14/93 J SLUSSER

CHK 12/14/93 C.ERISMAN REL 2/2/94 B. MORGAN

NAME END FEED HDM APPLICATOR MACHINE REF MINI APPL

SCALE - DWG NO 680038 SHEET 1 OF 1 REV B

CASE CODE 00779 CUSTOMER AND ASSEMBLY DRAWING 1 RESTRICTED TO