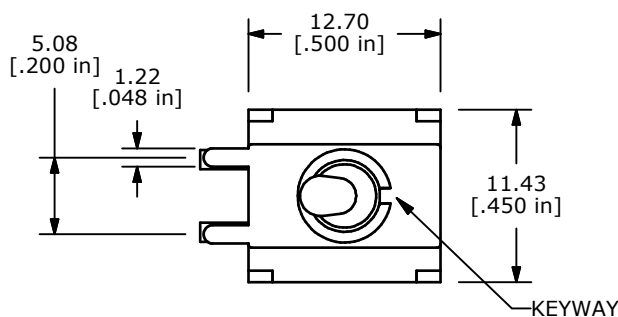
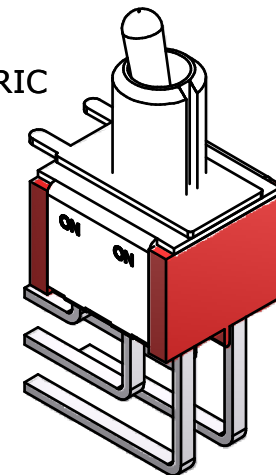


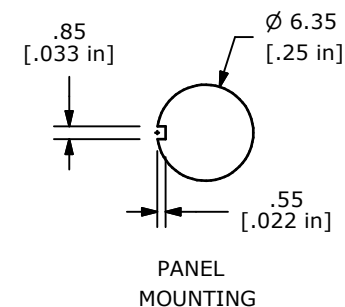
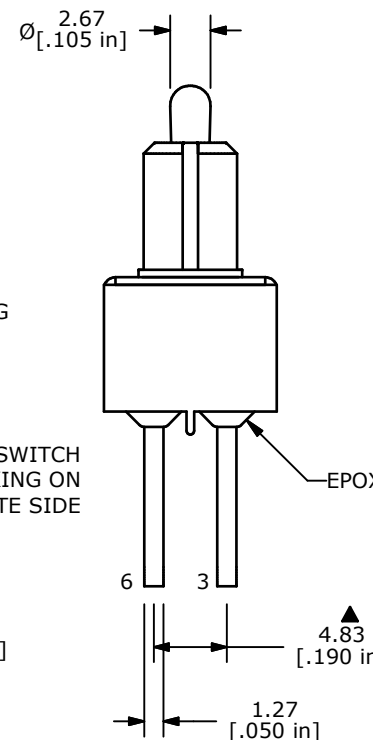
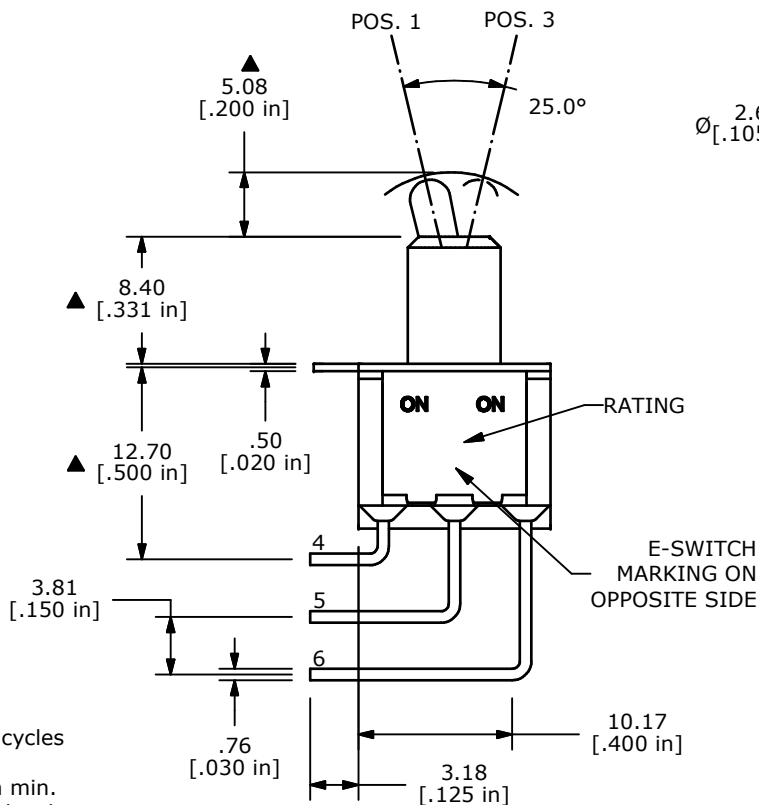
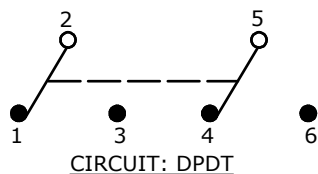
PC MOUNTING



ISOMETRIC



SWITCH FUNCTION		
POS. 1	POS. 2	POS. 3
ON	NONE	ON
2-3, 5-6	N/A	2-1, 5-4



- NOTE:
- ALL DIMENSIONS IN MM [INCH]
 - GENERAL TOLERANCE: X.X=±0.4
X.XX=±0.25
 - TERMINAL NUMBERS FOR REF ONLY
 - PLATING MATERIAL: SILVER
 - RATING: 2 AMPS @ 250VAC
5 AMPS @125 VAC OR 28 VDC
 - CONTACT RESISTANCE: 10 Milli Ohms max.
 - LIFE EXPECTANCY: 40,000 make-and-break cycles at full load.
 - INSULATION RESISTANCE: 1,000 Mega-ohm min.
 - DIELECTRIC STRENGTH: 1,000 V RMS @sea level.
 - OPERATING TEMP.: -30°C to 85°C
 - ▲DENOTES CRITICAL PARAMETER.
 - 2002/95/EC (ROHS) COMPLIANT



A	18166	RELEASE FOR PRODUCTION	7/3/08	BLR
REV	PCR NO	DESCRIPTION	DATE	BY

TITLE 100DP1T2B2M7QE

THE INFORMATION CONTAINED IN THIS DOCUMENT IS PROPRIETARY TO E-SWITCH AND IS NOT TO BE COPIED OR TRANSFERRED

SCALE	DATE	DR	DWG	REV
2:1	7/3/2008	BLR	T121114	A