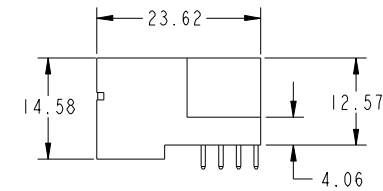
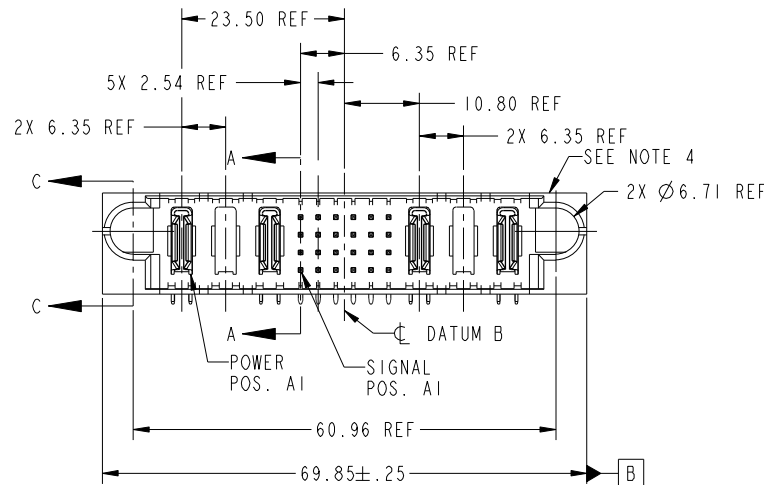


Tous droits strictement reserves. Reproduction ou communication a des tiers interdite sous quelque forme que ce soit sans autorisation écrite du propriétaire. Propriete de c FCI. Droits de reproduction FCI.



All rights strictly reserved. Reproduction or issue to third parties in any form whatever is not permitted without written authority from the proprietor. Property of FCI. Copyright FCI.

PRODUCT NO.	ROWS	PWR			SIGNAL						PWR			E2			
		E1	P1	P2	P3	1	2	3	4	5	6	P4	P5		P6		
51730-133-- NOTE 3	D C B A		PA	X	PA	UUUUUU	TTTTTT	SSSSSS	RRRRRR	UUUUUU	TTTTTT	SSSSSS	RRRRRR	PA	X	PA	



CODE	DIM "M" MATING LENGTH	CONTACT TYPE
U	[6.86]	SIGNAL
T	[6.86]	SIGNAL
S	[6.86]	SIGNAL
R	[6.86]	SIGNAL
PA	[N/A]	POWER
X	OMITTED	

mat'l code				SEE NOTE		tolerances unless otherwise specified		CUSTOMER	
ltr	ecn no.	dr	date	linear	0.X ±0.3	projection	COPY		
A	DG07-0152	JMG	04/17/07	angles	0.XX ±0.13		title		
					0.XXX ±0.051		3P + 24S + 3P		
				dr	0° ±2°	scale	RIGHT ANGLE SOLDER HEADER		
				enr	JM GUO 04/17/07	1:1	product family		PwrBlade
				chr	RYAN YUAN 04/17/07		size	code	
				appd	GARY HSIEH 04/17/07		dwg no	213	
					JOSEPH HSIA 04/17/07		51730-133	sheet	
sheet index	revision sheet	A 1	A 2	A 3	A 4			1 of 4	

**FCI** www.fciconnect.com

product family PwrBlade code 213

size dwg no 51730-133 sheet 1 of 4

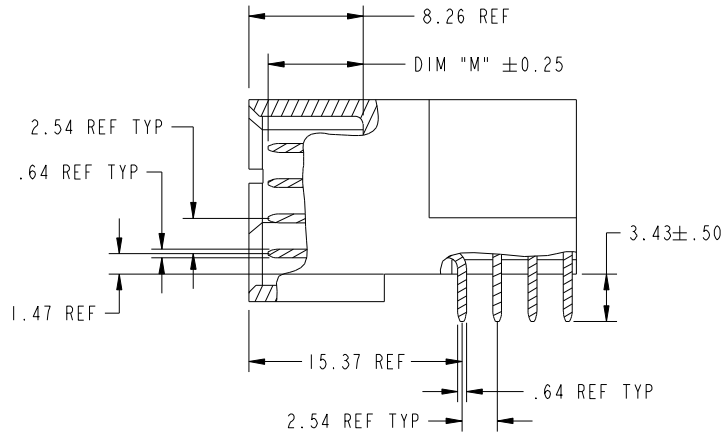
cage code 22526

Tous droits strictement reserves. Reproduction ou communication a des tiers interdite sous quelque forme que ce soit sans autorisation écrite du propriétaire. Propriete de c FCI. Droits de reproduction FCI.

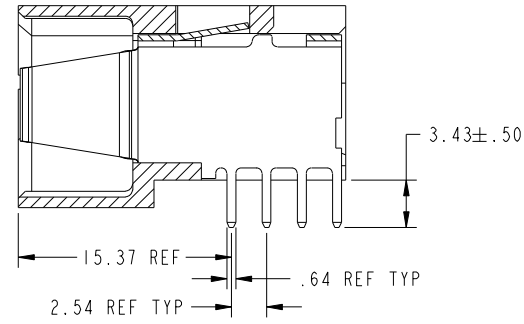
All rights strictly reserved. Reproduction or issue to third parties in any form whatever is not permitted without written authority from the proprietor. Property of FCI. Copyright FCI.



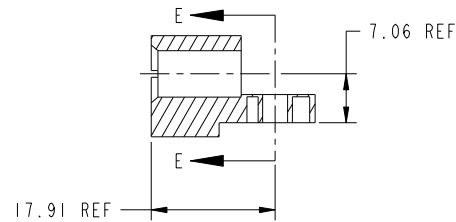
PRODUCT NUMBER  
51730-133--  
NOTE: 3



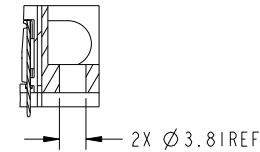
BROKEN-OUT SECTION A-A  
SCALE 2:1



SECTION B-B  
SCALE 2:1



SECTION C-C



PARTIAL SECTION E-E

mat'l code		SEE NOTE		tolerances unless otherwise specified		CUSTOMER		FCI	
ltr	ecn no.	dr	date	linear	0.X ±0.3	COPY		www.fciconnect.com	
A					0.XX ±0.13	projection		title	
				angles	0.XXX ±0.051			3P + 24S + 3P RIGHT ANGLE SOLDER HEADER	
				dr	0° ±2°			product family PwrBlade code	
				enr	JM GUO 04/17/07	scale		size	
				chr	RYAN YUAN 04/17/07	1:1		dwg no	
				appd	GARY HSIEH 04/17/07			A 51730-133	
					JOSEPH HSIA 04/17/07			sheet	
sheet index	revision sheet							2 of 4	

cage code 22526

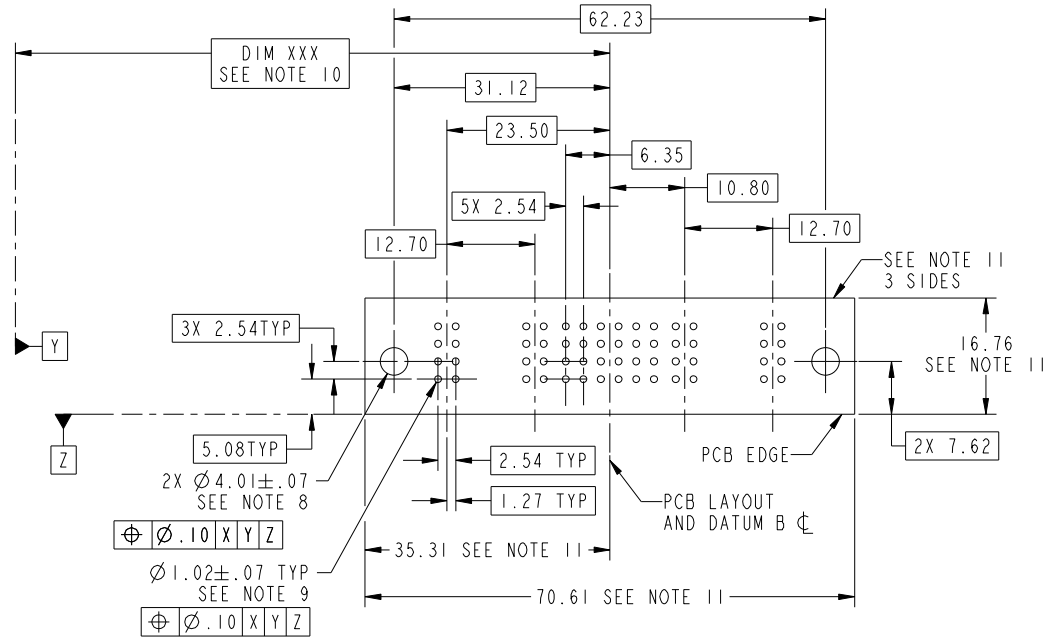
Pro/E

Tous droits strictement reserves. Reproduction ou communication a des tiers interdite sous quelque forme que ce soit sans autorisation écrite du propriétaire. Propriete de c FCI. Droits de reproduction FCI.



All rights strictly reserved. Reproduction or issue to third parties in any form whatever is not permitted without written authority from the proprietor. Property of FCI. Copyright FCI.

PRODUCT NUMBER  
51730-133\_  
NOTE: 3



RECOMMENDED PCB LAYOUT

mat'l code				SEE NOTE		tolerances unless otherwise specified		CUSTOMER		FCI	
ltr	ecn no.	dr	date	linear	0.X ± 0.3	COPY		www.fciconnect.com		title	
A					0.XX ± 0.13	projection		3P + 24S + 3P		RIGHT ANGLE SOLDER HEADER	
				angles	0.XXX ± 0.051			product family		code	
				dr	0° ± 2°	MIM		PwrBlade		213	
				enrg	JM GUO 04/17/07	scale		size		sheet	
				chr	RYAN YUAN 04/17/07	1:1		dwg no		3 of 4	
				appd	GARY HSIEH 04/17/07			51730-133			
					JOSEPH HSIA 04/17/07						
sheet index		revision sheet									

cage code 22526

Pro/E

Tous droits strictement reserves. Reproduction ou communication a des tiers interdite sous quelque forme que ce soit sans autorisation écrite du propriétaire. Propriete de c FCI. Droits de reproduction FCI.



All rights strictly reserved. Reproduction or issue to third parties in any form whatever is not permitted without written authority from the proprietor. Property of FCI. Copyright FCI.

PRODUCT NUMBER  
51730-133--  
NOTE: 3

NOTES:

1. DIMENSIONS AND TOLERANCES ARE IN ACCORDANCE WITH ASME Y14.5M, 1994 UNLESS OTHERWISE SPECIFIED.

CONNECTOR NOTES:

- 2. HOUSING MATERIAL: UL 94 V-0 GLASS FILLED HIGH-TEMP THERMOPLASTIC  
POWER CONTACT MATERIAL: COPPER ALLOY  
SIGNAL PIN MATERIAL: COPPER ALLOY
- 3. 51730-133; 51730-133LF PLATING SPEC. SEE PRINT:10064183
- 4. MANUFACTURER'S NAME, P/N, AND DATE CODE TO APPEAR ON THIS SURFACE.
- 5. PRODUCT SPECIFICATION GS-12-149.  
APPLICATION SPECIFICATION BUS-20-067.
- 6. PACKAGED IN TRAYS.

PCB NOTES:

- 7. ALL HOLE DIAMETERS ARE FINISHED HOLE SIZE.
- 8. MOUNTING HOLES, WHERE APPLICABLE, ARE UNPLATED.
- 9.  $\varnothing 1.151 \pm 0.025$  DRILLED HOLES PLATED WITH 0.008 MIN SnPb OR Sn OVER 0.03 TO 0.08 Cu PLATING TO ACHIEVE  $\varnothing 1.02 \pm .07$  HOLE.
- 10. "DIM XXX" TO BE DETERMINED BY THE CUSTOMER.
- 11. CONNECTOR KEEP-OUT ZONE.

mat'l code				SEE NOTE	tolerances unless otherwise specified		CUSTOMER		
ltr	ecn no.	dr	date	linear	0.X ± 0.3	COPY	www.fciconnect.com		
A				linear	0.XX ± 0.13	projection	title 3P + 24S + 3P RIGHT ANGLE SOLDER HEADER		
				angles	0.XXX ± 0.051		product family PwrBlade code 213		
				dr	0° ± 2°	MIM	size	dwg no	sheet
				engr	JM GUO 04/17/07	←	A	51730-133	4 of 4
				chr	RYAN YUAN 04/17/07	scale	1:1		
				appd	GARY HSIEH 04/17/07				
					JOSEPH HSIA 04/17/07				
sheet index	revision sheet								

cage code 22526

Pro/E