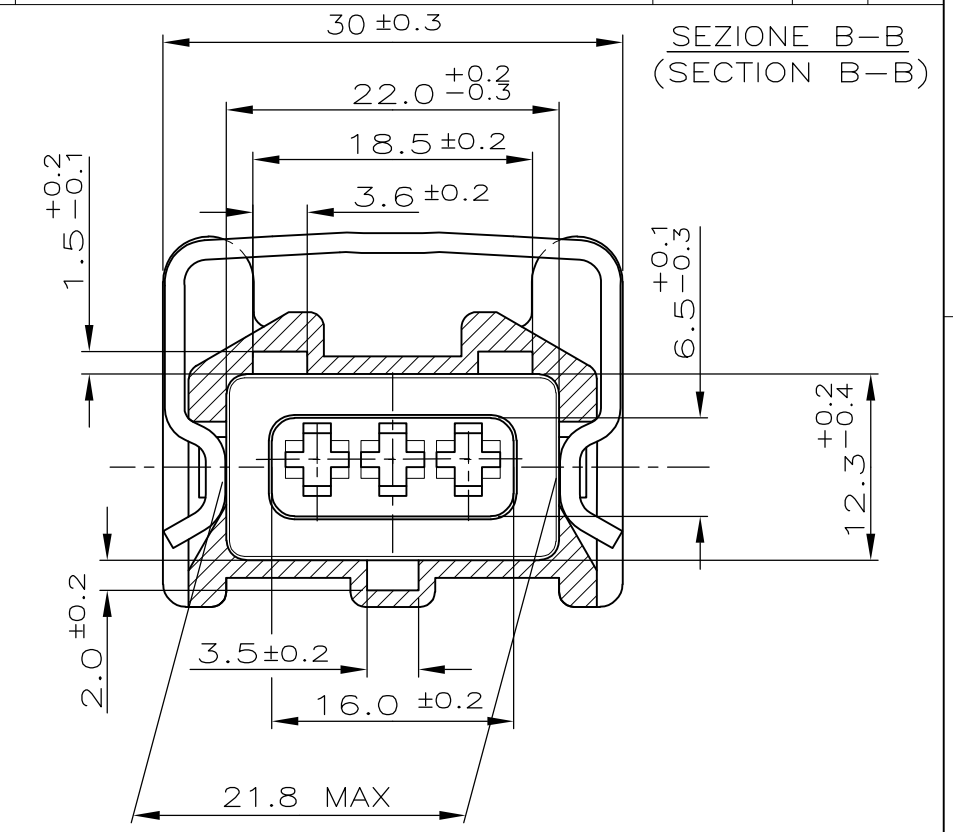
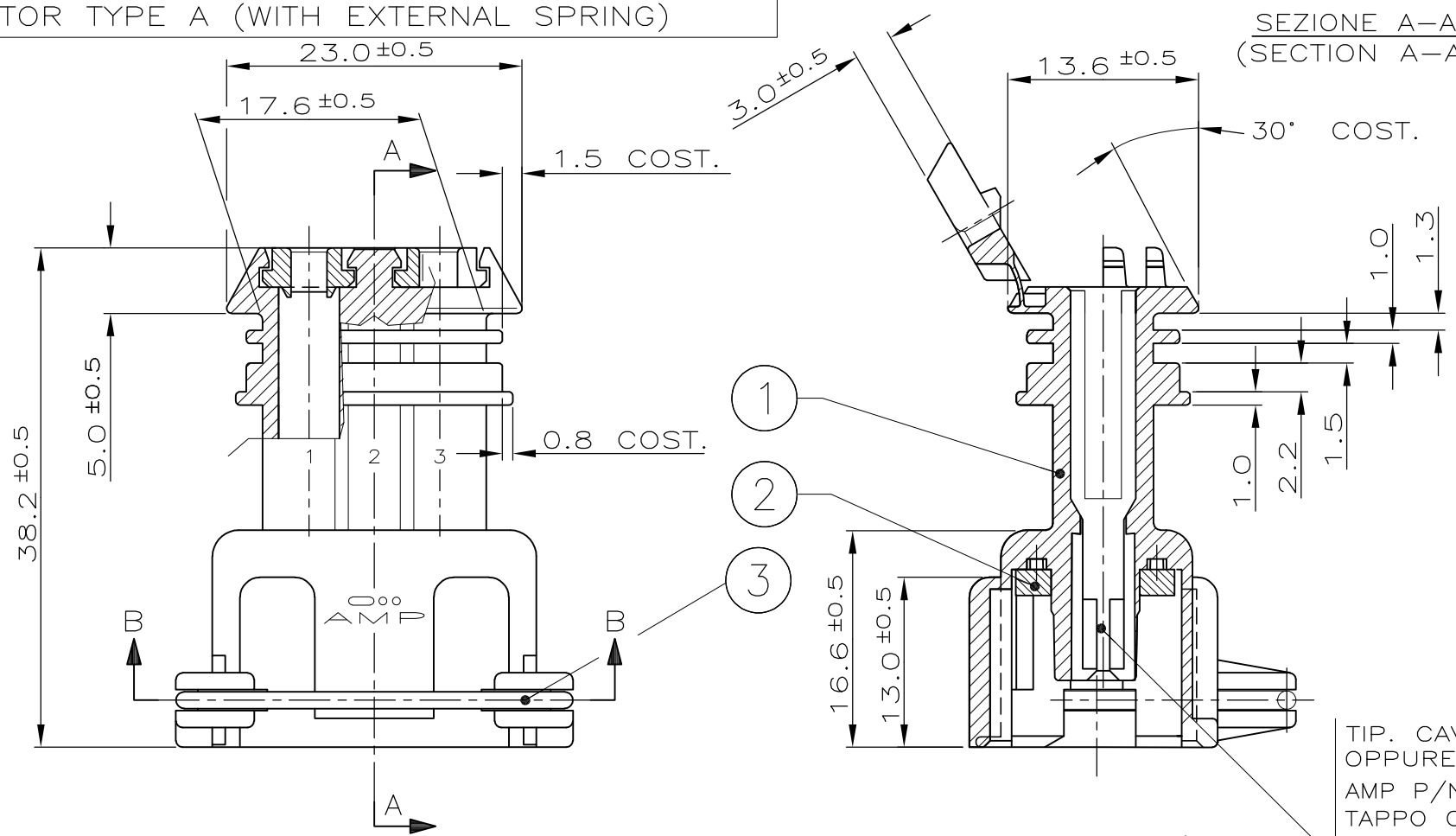
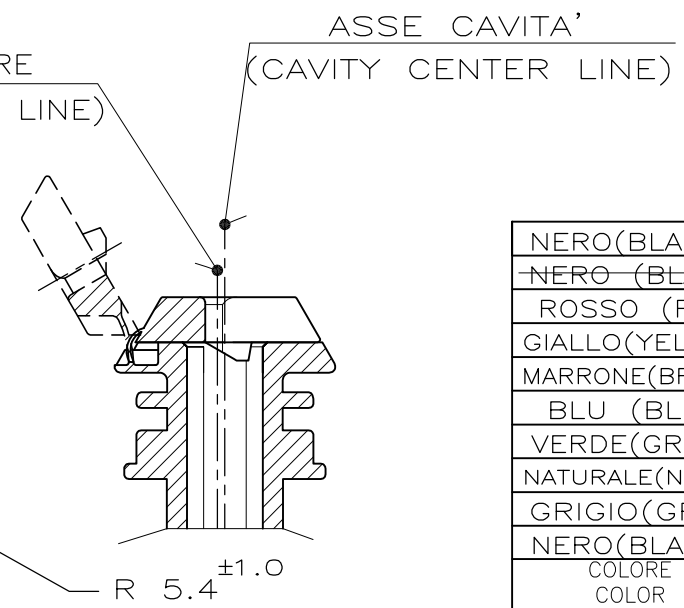
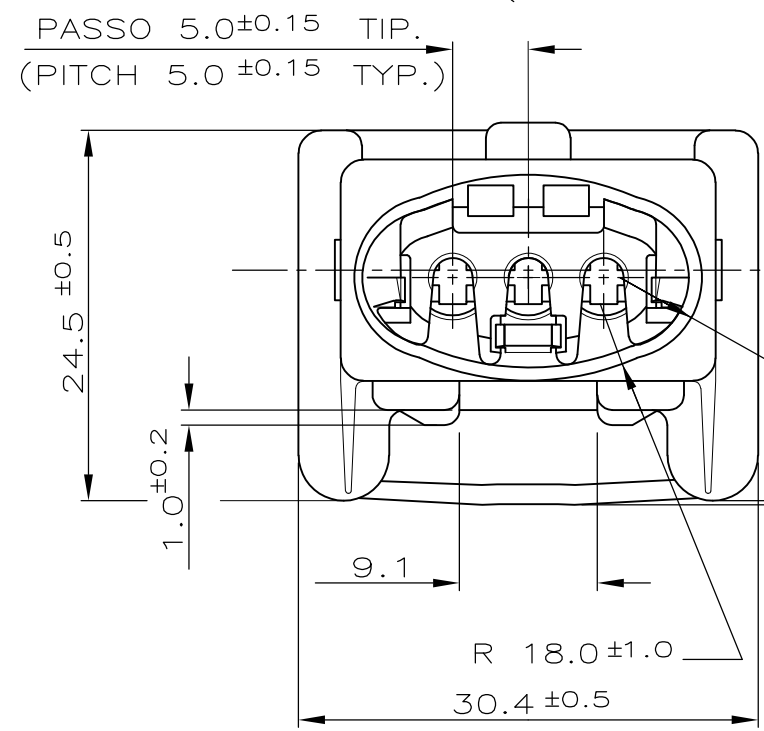


CONNETTORE TIPO A (CON MOLLA DI RITEGNO ESTERNA)
CONNECTOR TYPE A (WITH EXTERNAL SPRING)



TIP. CAVITA' PER TERMINALI AMP JPT P/N 929939-...
OPPURE 929937-... E RELATIVI GOMMINI
AMP P/N 828904-1, 828905-1, 282536-1.
TAPPO CAVITA' P/N 828906-2
(TYP. CAV. FOR JPT CONT. P/N 929939-... A/O 929937-... AND REL.
SINGLE WIRE SEAL P/N 828904-1, 828905-1, 282536-1
CAVITY PLUG P/N 828906-2)

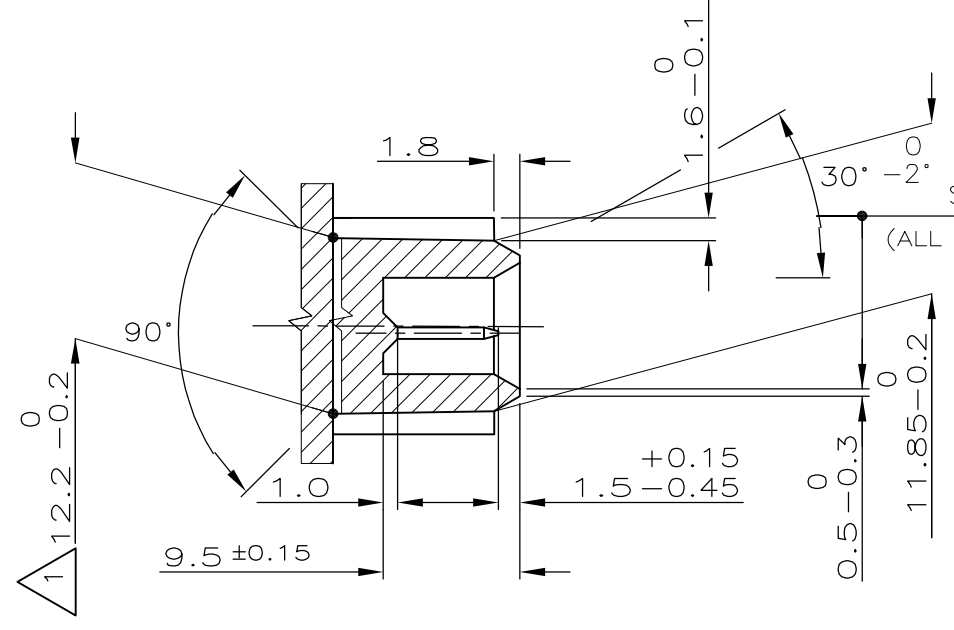
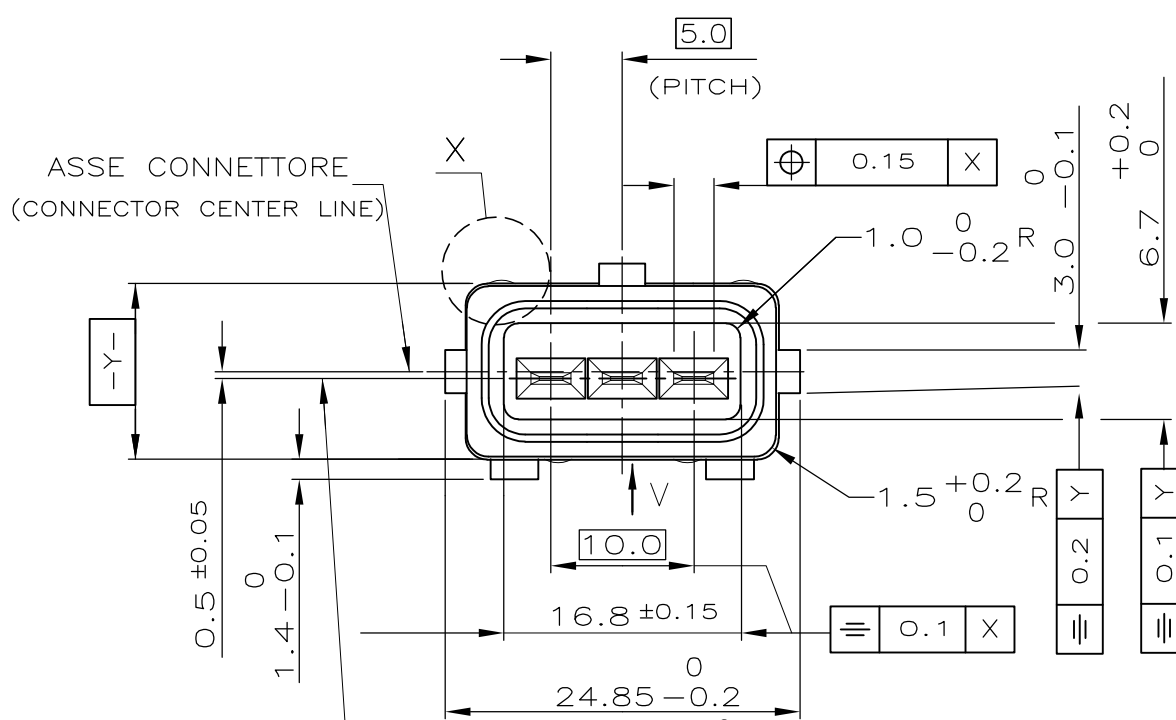


NERO (BLACK)	2-282191-1	F	1		
NERO (BLACK)	1-282191-1	E		SUPERSEDED BY 282191-1	
ROSSO (RED)	---			CUSTOMER DWG. FOR REFERENCE ONLY	
GIALLO (YELLOW)	---			DISEGNO PER CLIENTE SOLO PER RIFERIMENTO	
MARRONE (BROWN)	282191-6		3	////	ACCIAIO INOX (STAINLESS STEEL)
BLU (BLUE)	282191-5				MOLLA (SPRING)
VERDE (GREEN)	282191-4		2	NATURALE (NATURAL)	GOMMA SILICONICA (SILICONE RUBBER)
NATURALE (NATURAL)	282191-3				GUARNIZIONE (RUBBER GASKET)
GRIGIO (GREY)	282191-2		1	////	PA 6.6 C.VETRO (PA 6.6 G.F.)
NERO (BLACK)	282191-1				BLOCCHETTO (HOUSING)
COLORE COLOR	NUMERO PART. N°	ASSY REV. (ITEM)		FINITURA / COLORE (FINISH / COLOUR)	MATERIALE (MATERIAL)
					DESCRIZIONE (DESCRIPTION)

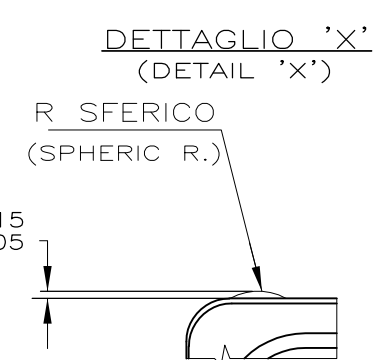
THIS DRAWING IS A CONTROLLED DOCUMENT.

DWN	NOV. 9'90	Ennio CINI	
CHK	13 OCT 92	C.TARTARI	
APVD			
PRODUCT SPEC		NAME	
APPLICATION SPEC		3 W.SPLASH PROOF CONN.ASS'Y with SECONDARY LOCK	
WEIGHT		SIZE	CAGE CODE
		A3	00779
		DRAWING NO	RESTRICTED TO
		C-282191	
CUSTOMER DRAWING		SCALE	SHEET
		-	1 OF 2
			REV N2

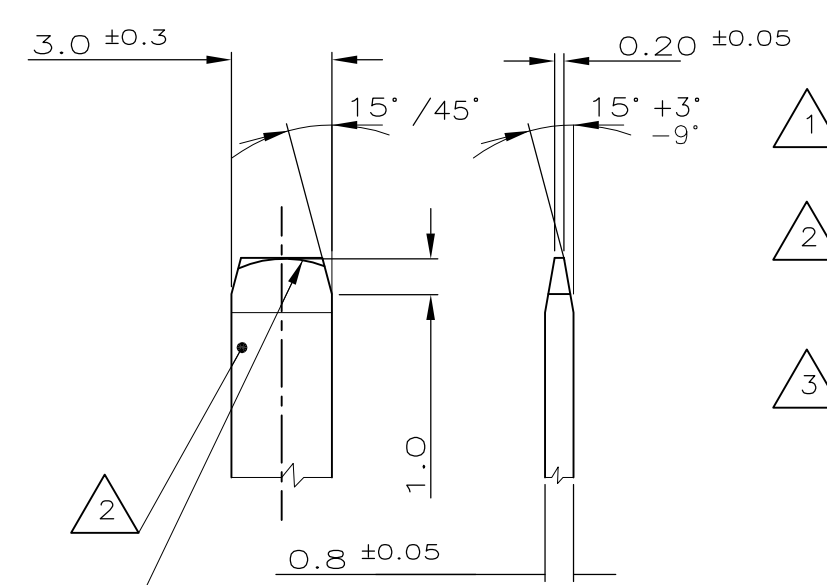
1) DIFFERISCE DAL ...-1 ESCLUSIVAMENTE PER IL PACKAGING (DIFFERS FROM ...-1 ONLY FOR PACKAGING DETAILS)
2) PER DIMENSIONI CONTROPARTE VEDERE FOGLIO 2 (FOR COUNTERPART DIMENSIONS SEE SHEET 2)



SU TUTTO IL PERIMETRO
(ALL AROUND)



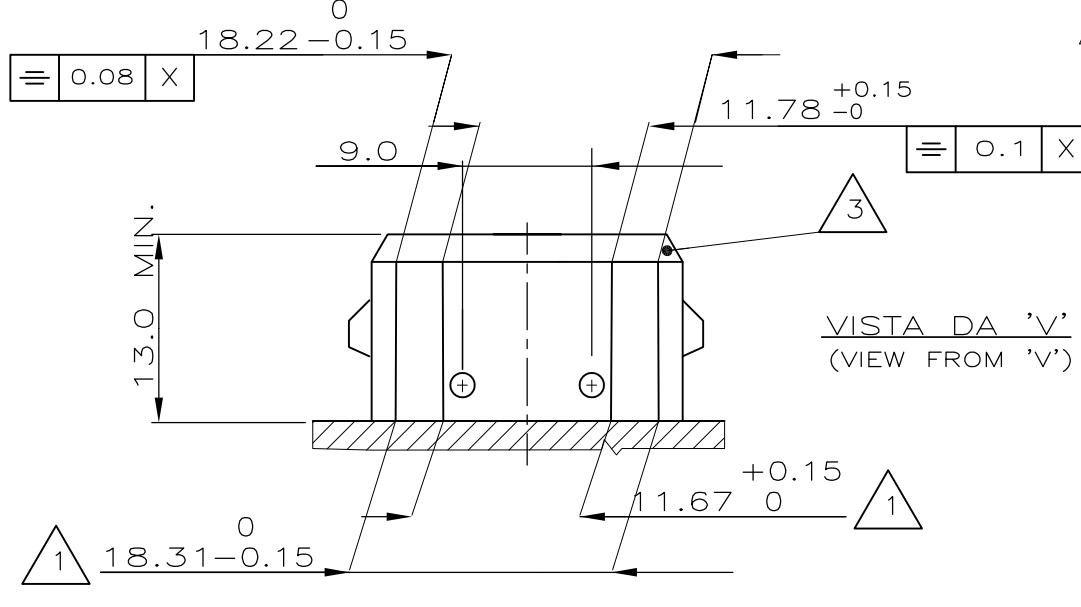
DETT. LINGUETTA TAB-SCALA 5:1-
(TAB DETAIL)



FORMA ALTERNATIVA PERMESSA CON RAGGIO
(ALLOWED ALTERNATIVE PROFILE WITH RADIUS)

- 1 QUOTE APPLICABILI PER SFORMATURA PEZZO
(DRAFT PERMITTED TO FACILITATE REMOVAL OF PART FROM THE MOULD)
- 2 MATERIALE LINGUETTE: LEGA DI RAME STAGNATA, ES. OTTONE STAGNATO.
(TAB CONTACT MATERIAL: TIN PLATED COPPER ALLOY. E.G. BRASS TIN PLATED)
- 3 MATERIALE BLOCCHETTO: TERMOPLASTICO CARICATO FIBRA VETRO.
(HOUSING MATERIAL: THERMOPLASTIC, GLASS FIBER FILLED)

DIAM. ISOLANTE (INS. DIA. RANGE)	RANGO FILO (WIRE RANGE)
---	---



FINITURA / COLORE (FINISH / COLOUR)	MATERIALE (MATERIAL)	NUMERO (PART NUMBER)	CUSTOMER DWG. FOR REFERENCE ONLY	DISEGNO PER CLIENTE SOLO PER RIFERIMENTO
THIS DRAWING IS A CONTROLLED DOCUMENT.				
DIMENSIONS: mm		TOLERANCES UNLESS OTHERWISE SPECIFIED:		STE TE Connectivity
		0 PLC ± - 1 PLC ± 0.3 2 PLC ± - 3 PLC ± - 4 PLC ± - ANGLES ± 2°		
		MATERIAL	FINISH	NAME
		WEIGHT	SIZE	CAGE CODE
			A3	00779
			DRAWING NO	C=282191
			RESTRICTED TO	-
		CUSTOMER DRAWING		SCALE
				SHEET
				2 OF 2
				REV
				N2