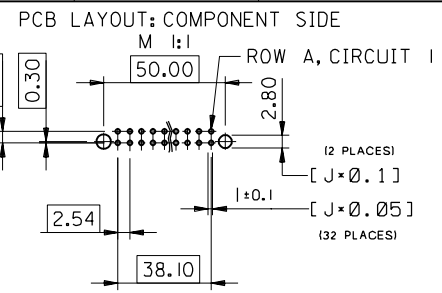
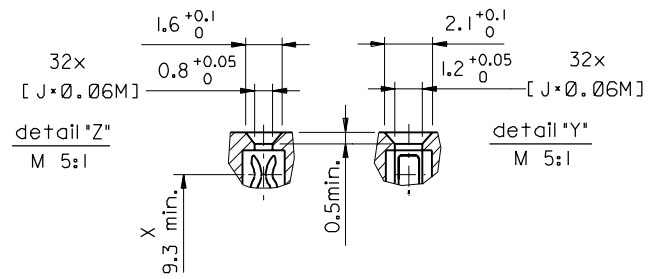
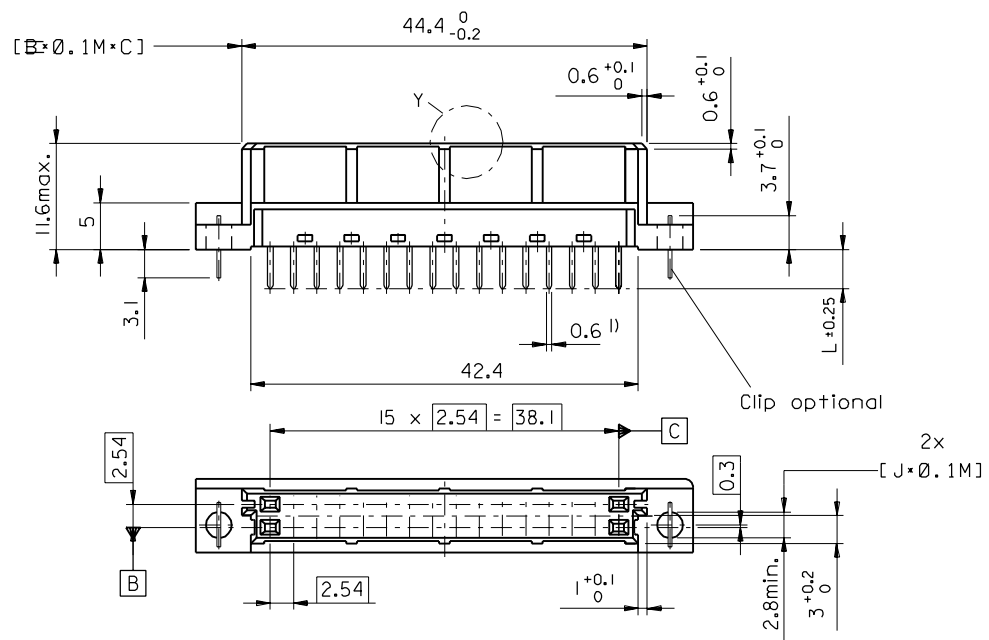
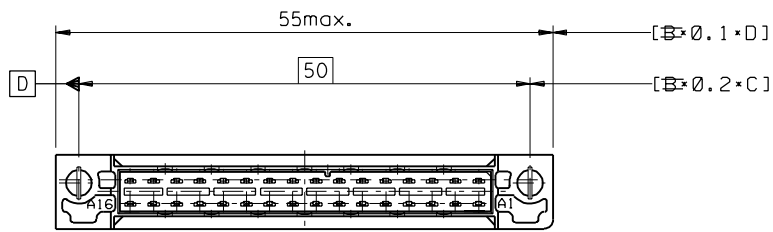
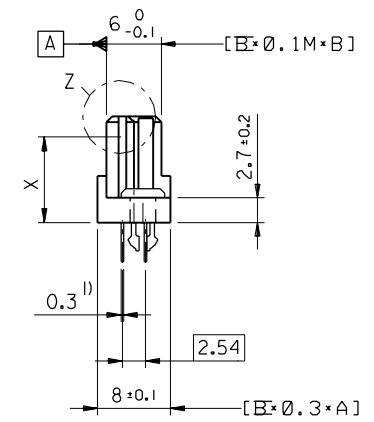


PART NO.
DWG. NO.



1) tails to fit in PC-board layout



FIRST ANGLE PROJECTION

UNLESS OTHERWISE SPECIFIED TOLERANCES: ANGULAR ±2°		DRWG BY	SIGN
INCH METRIC		KN	
3 PLACE ±	±	CHK'D BY	SIGN
2 PLACE ±	±	Ca	
1 PLACE ±	±	APP'D BY	SIGN
DRAFT WHERE APPLICABLE MUST REMAIN WITHIN DIMENSIONS		FB	
DESIGN DIMENSION	<input checked="" type="checkbox"/> MM	SCALE	
	<input type="checkbox"/> IN.	2:1	
EQUIVALENT DIMENSION	<input type="checkbox"/> MM		
	<input type="checkbox"/> IN.		
IF TWO DIMENSIONS ARE SHOWN THE UPPER IS THE DESIGN DIMENSION, LOWER IS SECONDARY			

REVISE ONLY ON CAD SYSTEM

CAECAM PROJECT NAME	SH.	REV.
85040000 s21		
THIS DRAWING CONTAINS INFORMATION THAT IS PROPRIETARY TO MOLEX INC. & SHOULD NOT BE USED WITHOUT WRITTEN PERMISSION		
TITLE		
32pos. Female connector DIN 41612 style B/2, with clip, Dimensions		
MOLEX EUROPE		SHEET NO. DATE
1 OF 1		96/04/23
PART NO.	DWG NO.	SIZE
SDA-85040-0002		B

ECN MG1998-2727	REVISIONS
new fixing clip 98-04-14 Co	
LTR	FOR PREVIOUS REVISIONS SEE MRI LIST

VIEW ON MATING SIDE

∞	A	A	A	A	A	A	A	A
∞	A	A	A	A	A	A	A	A

1 2 3 4 5 6 7 8 9 10 11 12 13 14 15 16 17 18 19 20 21 22 23 24 25 26 27 28 29 30 31 32

A = 16 CONTACTS L=4,5

Marking	Standard
Performance level	G2/0 = Contact area level2 / Termination tin
Flux proof	no
Fixing clip	no
Dimensions	SDA-85040-0002 sht.1
Technical Data	PS-85042-0001

A	G2/0	a2,4,6...16	b2,4,6...16
Contact symbol	Perform. level	Contact position number	

ECN 2264	Produkt spec.	96-10-18 KN
Δ-1	LTR	REVISIONS

UNLESS OTHERWISE SPECIFIED TOLERANCES: ANGULAR ± 2°		DRWG BY	CC	SIGN
3 PLACE ± .	±	CHK'D BY	KN	SIGN
2 PLACE ± .	±	APP'D BY		SIGN
1 PLACE ± .	±	SCALE		
DRAFT WHERE APPLICABLE MUST REMAIN WITHIN DIMENSIONS		DESIGN DIMENSION <input type="checkbox"/> MM <input type="checkbox"/> IN.		
EQUIVALENT DIMENSION <input type="checkbox"/> MM <input type="checkbox"/> IN.		IF TWO DIMENSIONS ARE SHOWN, THE UPPER IS THE DESIGN DIMENSION, LOWER IS SECONDARY		

FOR PREVIOUS REVISIONS SEE MRI LIST	CAD/CAM PROJECT NAME	SH. REV.
	S8504010 SO1	

REVISE ONLY ON CAD SYSTEM	SH. REV.
THIS DRAWING CONTAINS INFORMATION THAT IS PROPRIETARY TO MOLEX INC. & SHOULD NOT BE USED WITHOUT WRITTEN PERMISSION	
TITLE	
32 pos. female connector acc. DIN 41612 style B/2 contacts arrangement	
SHEET NO.	DATE
1 OF 1	96/05/15
PART NO.	
SDA-85040-1005	
DWG NO.	
85040-1005	
SIZE	
A	