

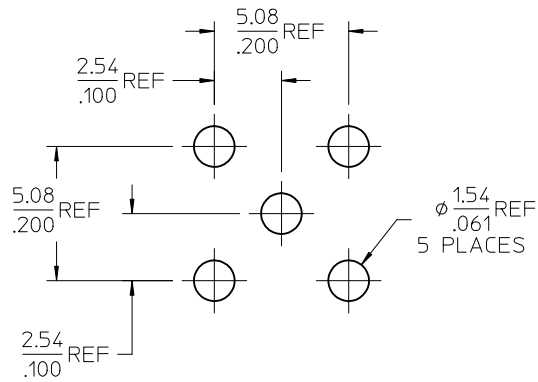
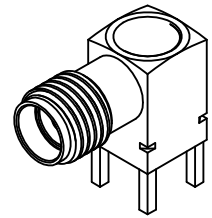
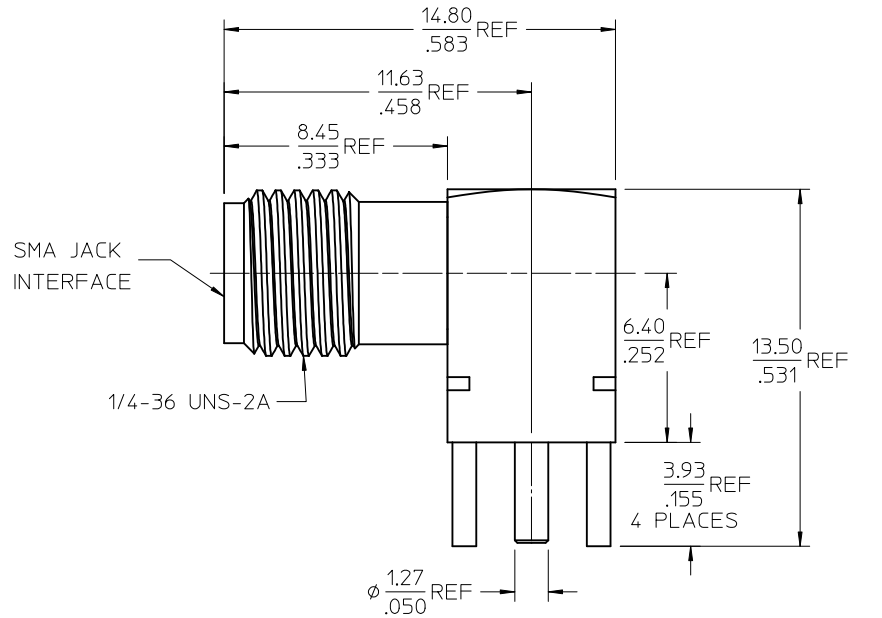
MATERIALS AND FINISHES

BODY BRASS  
PLATED NICKEL

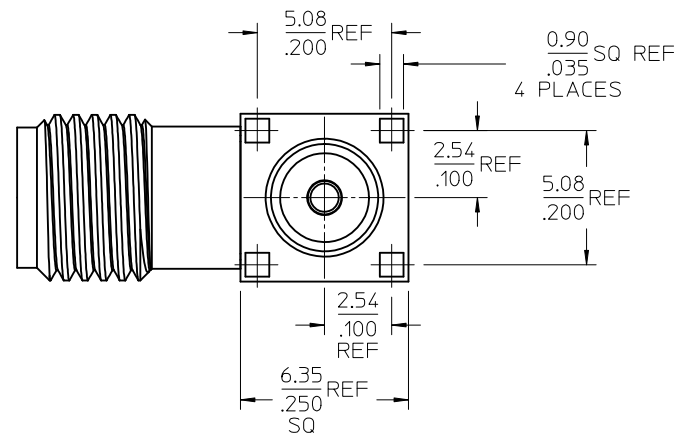
CENTER CONTACT BERYLLIUM COPPER  
PLATED GOLD

PCB CONTACT BRASS  
PLATED GOLD

INSULATOR TEFLON



RECOMMENDED PCB LAYOUT



PS-89675-3460	PRODUCT SPECIFICATION
SPECIFICATION	DESCRIPTION

73251-3131	ONE PER BAG
73100-0115	TRAY
PART NO.	PACKAGING

CHG: ADD SINGLE BAG VERSION PS WAS 73598-0111 EC NO: URF2011-0567 DRWN: WIENER 2011/03/30 CHKD: SSS 2011/03/30 APPR: WIENER 2011/03/31	QUALITY SYMBOLS ▽=0 ▽=0	GENERAL TOLERANCES (UNLESS SPECIFIED) 4 PLACES ± --- ± --- 3 PLACES ± --- ± --- 2 PLACES ± --- ± --- 1 PLACE ± --- ± --- ANGULAR ± 2 °	DIMENSION STYLE MM/IN DRAWN BY THOMPSON TSN 1993/10/15 DATE CHECKED BY DATE	SCALE DESIGN UNITS METRIC THIRD ANGLE PROJECTION	TITLE SMA JACK,R/A PCB,50 OHMS PLATED NICKEL SMA-J/PCB	
		DRAFT WHERE APPLICABLE MUST REMAIN WITHIN DIMENSIONS	APPROVED BY MHUANG DATE 2010/02/22	MATERIAL NO. SEE TABLE	MOLEX INCORPORATED DOCUMENT NO. SD-73100-0115	SHEET NO. 1 OF 1
		SIZE THIS DRAWING CONTAINS INFORMATION THAT IS PROPRIETARY TO MOLEX INCORPORATED AND SHOULD NOT BE USED WITHOUT WRITTEN PERMISSION				
		REV B3				