

120x120x38 mm

Dual AC Voltage

95~115 CFM



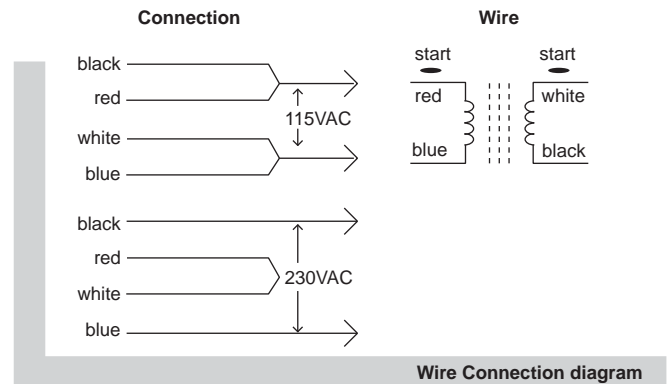
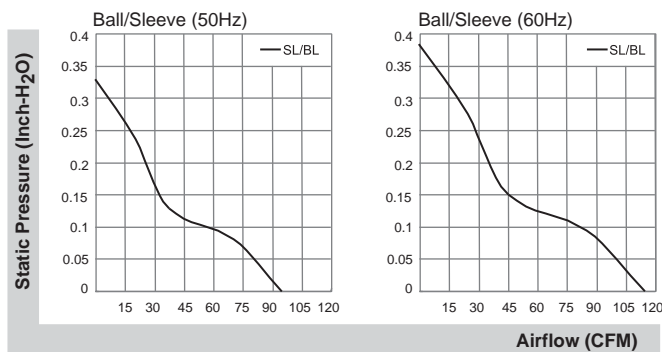
■ Specifications

| Model | P/N | Bearing | Rating | Freq. | Power | Power | Speed | Air | Static | Noise | Weight |
|----------|-------|---------|---------|-------|-----------|-------------|-----------|-------------------------|-----------|-------|--------|
| | | | Voltage | (Hz) | Current | Consumption | Flow | Pressure | (dB(A)) | (g) | |
| | | (VAC) | | (AMP) | (WATTS) | (RPM) | (CFM) | (Inch-H ₂ O) | | | |
| SF1212AD | SL.GN | ● | 115 | 50/60 | 0.27/0.24 | 21.5/19 | 2700/3100 | 95/115 | 0.33/0.38 | 44/49 | 550 |
| | | | 220-240 | 50/60 | 0.13/0.12 | 19.5/19 | 2700/3100 | 95/115 | 0.33/0.38 | 44/49 | 550 |
| SF1212AD | BL.GN | ○ | 115 | 50/60 | 0.27/0.24 | 21.5/19 | 2700/3100 | 95/115 | 0.33/0.38 | 44/49 | 550 |
| | | | 220-240 | 50/60 | 0.13/0.12 | 19.5/19 | 2700/3100 | 95/115 | 0.33/0.38 | 44/49 | 550 |

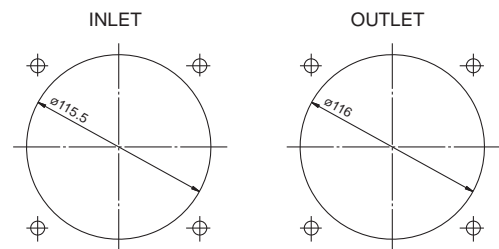
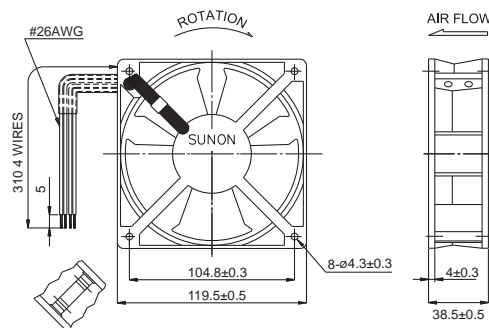
Frame : Aluminum alloy

Safety : UL-CUL/TUV/CE/CCC/BSMI

■ Air Flow-Static Pressure Characteristics



■ External dimensions(mm)



*All model could be customized. Please contact with Sunon Sales.

*Specifications are subject to change without notice. Please Visit SUNON website at <http://www.sunon.com> for update information.