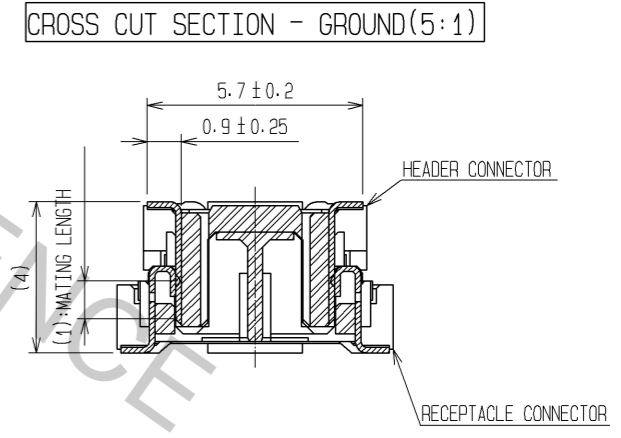
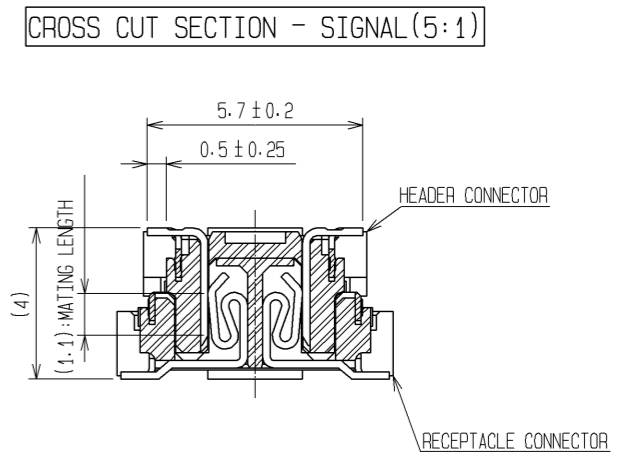
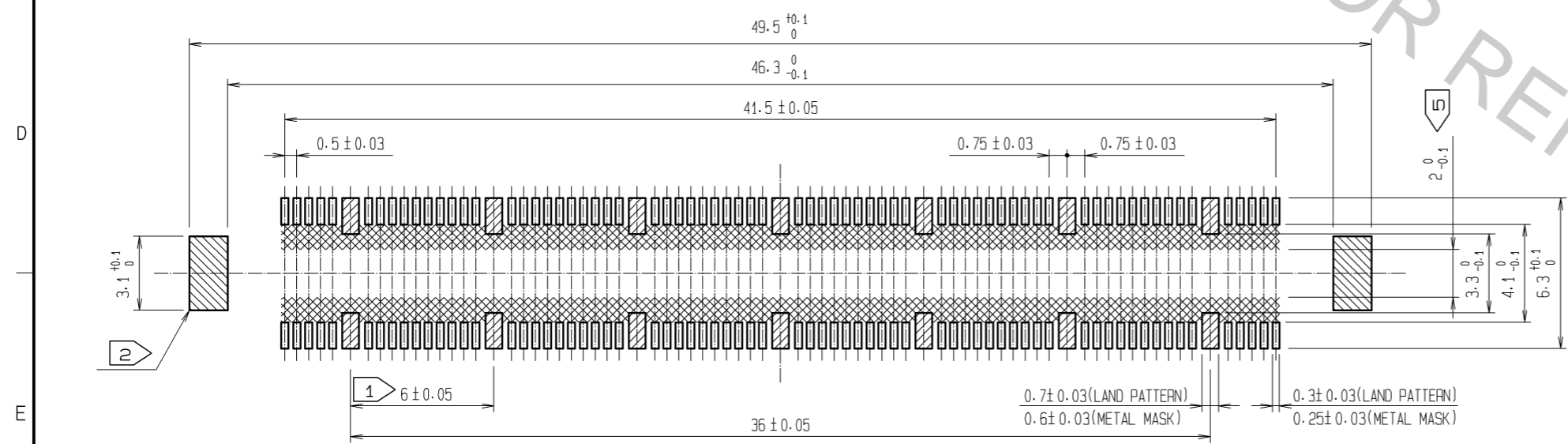


RECOMMENDED LAND PATTERN DIMENSION OF PCB  
(RECOMMENDED METAL MASK THICKNESS: 0.15mm)



- NOTES
- ① 14 HATCHED PARTS: GROUND CIRCUIT.
  - ② 2 HATCHED PARTS: GROUND CIRCUIT.
  - ③ SMT LEAD-COPLANARITY: 0.1 MAX.
  - ④ THIS PRODUCT HAS NO POLARITY TO PATTERN FOR MOUNTING.
  - ⑤ MAKE SURE WIDTH OF PATTERN IS WITHIN THAT OF LAND, OR LEAD MAY TOUCH PATTERN. (THIS APPLIES TO HATCHED AREA.)
  - ⑥ THE DIMENSIONS IN PARENTHESES ARE FOR REFERENCE.

4	PHOSPHOR BRONZE	TIN-PLATING					
3	PHOSPHOR BRONZE	TIN-PLATING	CONTACT AREA: GOLD 0.1µm min.				
2	PHOSPHOR BRONZE	TIN-PLATING	LEAD AREA: TIN-PLATING 1µm min.				
1	LCP	BEIGE UL94V-0	UNDER PLATING: NICKEL 1µm min.				
NO.	MATERIAL	FINISH	REMARKS	NO.	MATERIAL	FINISH	REMARKS
UNITS		SCALE		COUNT		DESCRIPTION OF REVISIONS	
mm		4 : 1		△			
<b>HRS</b> HIROSE ELECTRIC CO., LTD.		APPROVED : HS. OKAWA		08.06.26		DRAWING NO. EDC3-151951-25	
		CHECKED : HT. YAMAGUCHI		08.06.25		PART NO. FX10B-140P/14-SV(71)	
		DESIGNED : SY. KAMIGA		08.06.23		CODE NO. CL570-0024-0-71	
		DRAWN : HK. SUNADORI		08.06.17		△ 1/1	