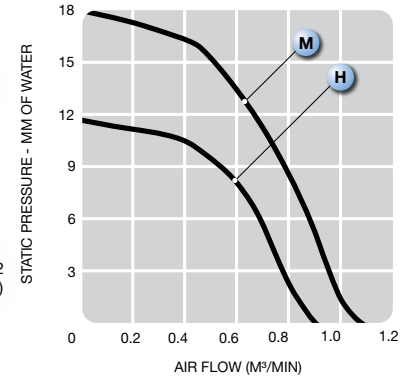
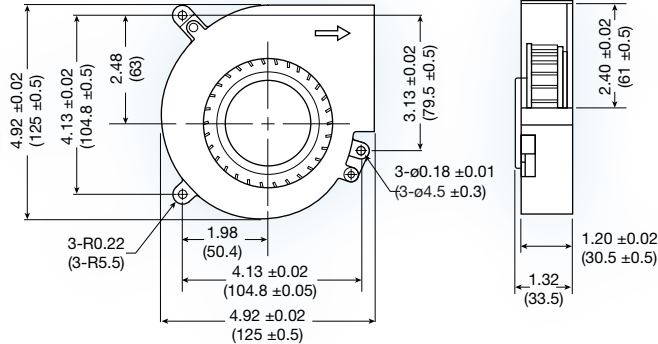


# B1232-SR series



**(125 x 125 x 33.5 mm)**

4.92 x 4.92 x 1.32 inches

Construction: UL94V-0 PBT impeller; metal and PBT frame

Bearing option: ball bearing

Connection: AWG 24, UL1007 lead wires

Protection: thermal

Options: tachometer output or locked rotor alarm signal

Model No.	Rated Voltage V	Current mA	Speed RPM	Air Volume		Max. Static Pressure (H <sub>2</sub> O)		Sound Noise dBa	Weight g
				M <sup>3</sup> /Min.	CFM	MM	INCH		
<b>B1232M-SR</b>	24	330	2,000	0.91	32	11.80	0.46	47	340
<b>B1232H-SR</b>	24	480	2,400	1.10	39	18.00	0.70	53	340
<b>B1232M-SR</b>	48	250	2,000	0.91	32	11.80	0.46	47	340
<b>B1232H-SR</b>	48	330	2,400	1.10	39	18.00	0.70	53	340