

PART NAME: KNOB

SCALE: 1:1

DATE: 6/8/72

DR. BY NH



DESIGNERS & MANUFACTURERS  
OF KNOBS, HANDLES, CASES &  
CUSTOM PLASTIC COMPONENTS

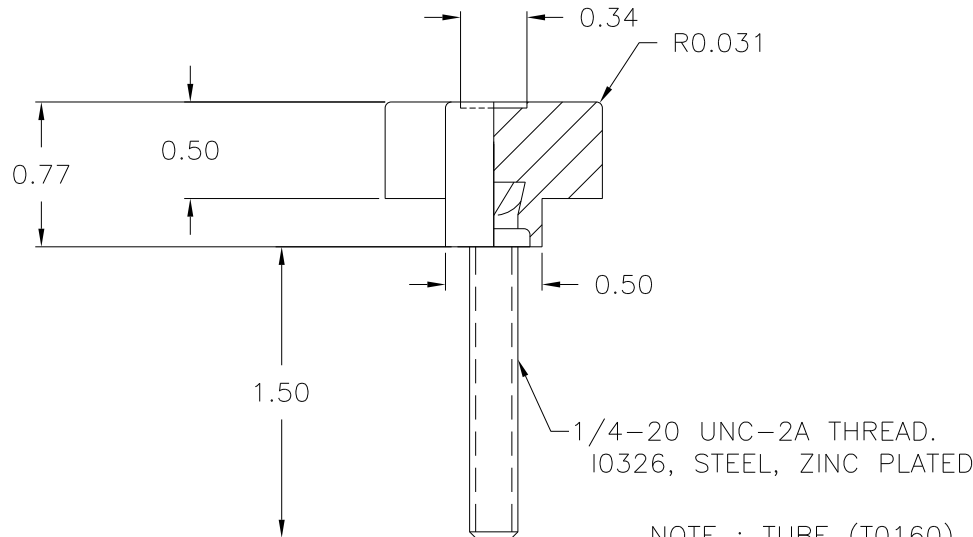
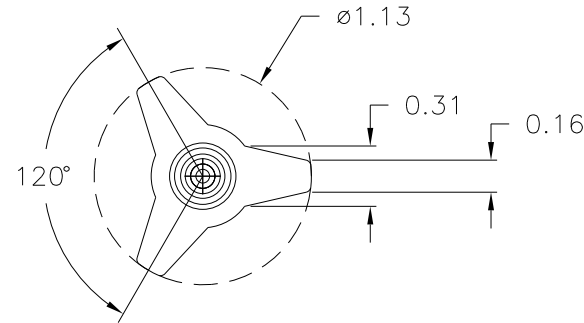
THIS DRAWING IS THE PROPERTY OF DAVIES MOLDING COMPANY, IS SUBMITTED SOLELY AS A DESIGN OR ENGINEERING PROJECT.  
WE ACCEPT NO RESPONSIBILITY WHATSOEVER FOR THE PRACTICAL APPLICATION OF THE PIECES MADE TO THIS DESIGN.

P/N 3025AU

M NO. 3025

CAVITY	3025
PLUNGER	3025
PINS	3025-1
SHIMS	1/4+1/8
INSERT	I0326
PLUNGER PIN	3025-A

A



NOTE : TUBE (T0160) TO BE INSTALLED  
ON ALL MOLDED PARTS.

MATERIAL: G.P. PHENOLIC (B11)  
COLOR: BLACK

TOLERANCES: UNLESS OTHERWISE SPECIFIED	DO NOT SCALE DRAWING			
DECIMALS: X.XXX ± .005 X.XX ± .015	MM: X.XX ± 0.15MM X.X ± 0.4MM	-	CAD/REDRAWN	HD 9/24/97
FRACTIONS ± 1/64	ANG. ± 1°	A	WAS 3003-8 PIN	HD 2/23/84
CHANGES				