

10119191 - X0E - XXXLF

8-COLUMN
DIFFERENTIAL
SIGNAL

LEAD-FREE DESIGNATION
ONLY WITH APPLICABLE
PLATING CODES

LETTER	PERFORMANCE-BASED PLATING (SEE NOTE 2)	
	TARGET APPLICATION	LEAD-FREE (LF)
B	TELCORDIA CO	NO
C	TELCORDIA UE	NO
D	TELCORDIA CO	YES
E	TELCORDIA UE	YES

NUMBER	GUIDE PIN STYLE, HEIGHT
0	STANDARD GUIDE PIN MACHINED, 31.6mm
4	STANDARD GUIDE PIN MACHINED, 25.7mm

NUMBER	CONTACT MATING WIPE LENGTH		COMPLIANT PIN DRILL SIZE
	SIGNAL	GROUND	
1	2	4	Ø0.55 [0.0217"]
2	3	4	Ø0.55 [0.0217"]
3	2	4	Ø0.45 [0.0177"]
4	3	4	Ø0.45 [0.0177"]
5	2	3	Ø0.55 [0.0217"]
6	3	3	Ø0.55 [0.0217"]
7	2	3	Ø0.45 [0.0177"]
8	3	3	Ø0.45 [0.0177"]

MODULE DESCRIPTION	LETTER DESIGNATION REPRESENTED IN DASH NUMBER										BASE MODULE
LEFT POLARIZING GUIDANCE MODULE (SEE SHEET 3)	J	A	B	C	D	E	F	G	H		
RIGHT POLARIZING GUIDANCE MODULE (SEE SHEET 4)	Y	P	Q	R	S	T	U	V	W		
OPEN MODULE (TWO WALL) (SEE SHEET 2)	0 (ZERO)										
LEFT WALL MODULE (SEE SHEET 5)	L										
RIGHT WALL MODULE (SEE SHEET 6)	M										
FOUR WALL MODULE (SEE SHEET 7)	1 (ONE)										

TABLE 1: OPTIONAL PCB HOLE SIZE (SEE NOTE 11)

	GROUNDED	UNGROUNDED
FINISHED	Ø2.35-2.55	Ø2.35-2.55
PAD	Ø5.50	N/A
PLATED	YES	NO
DRILL (mm/in)	2.58/.1015	2.44/.096

TABLE 2: OPTIONAL SCREW TYPE (SEE NOTE 10)

SCREW P/N	DESCRIPTION	BOARD THICKNESS
10091790-002LF	#2.56 X .375" PHILIPS PANHEAD W/SQ CONICAL WASHER	1.60 - 5.00
10091790-003LF	#2.56 X .500" PHILIPS PANHEAD W/SQ CONICAL WASHER	5.00 - 10.00

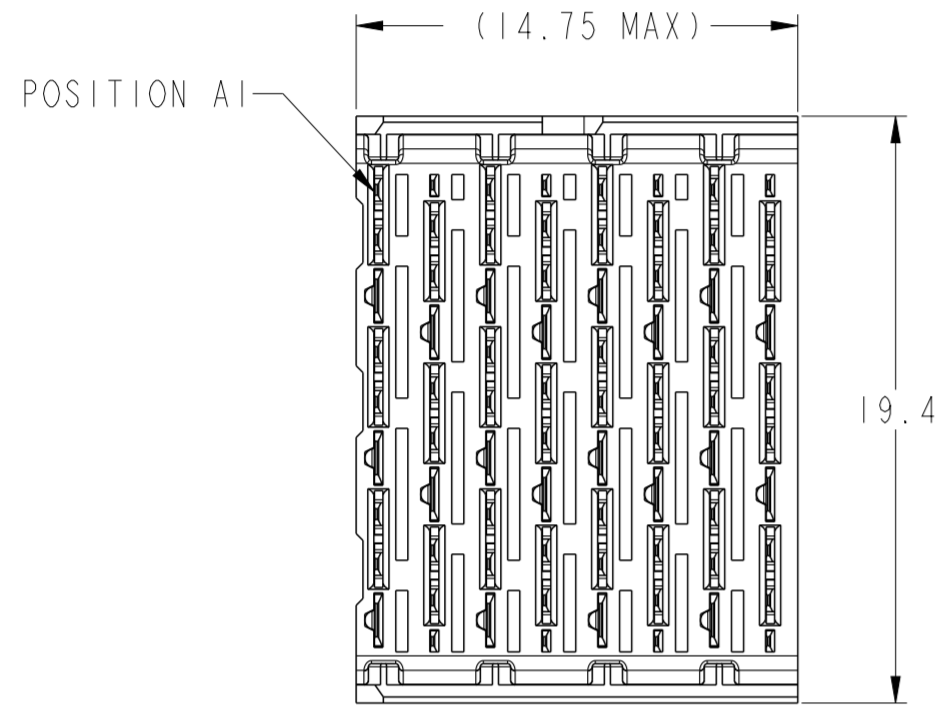
spec ref	-	dr	Roger Ng	2011/11/22	projection	MM	size	A2	scale	4:1	
tolerance std	ASME Y14.5	eng	Michael Song	2016/06/01		product family	XCED	rel level	Released	ecn no	ELX-DG-24191-1
TOLERANCES UNLESS OTHERWISE SPECIFIED		chr	Heaven Cen	2016/06/08							rel level
surface	linear	0.X	±0.2	Amphenol FCI	MODULE ASSEMBLY		cat. no.	Product - Customer Drw	sheet 1 of 8	rev	C
		0.XX	±0.10		VERTICAL HEADER, 8-COLUMN, 3-PAIR						10119191
	angular	0°	±2°								

OPEN (2- WALL) MODULE

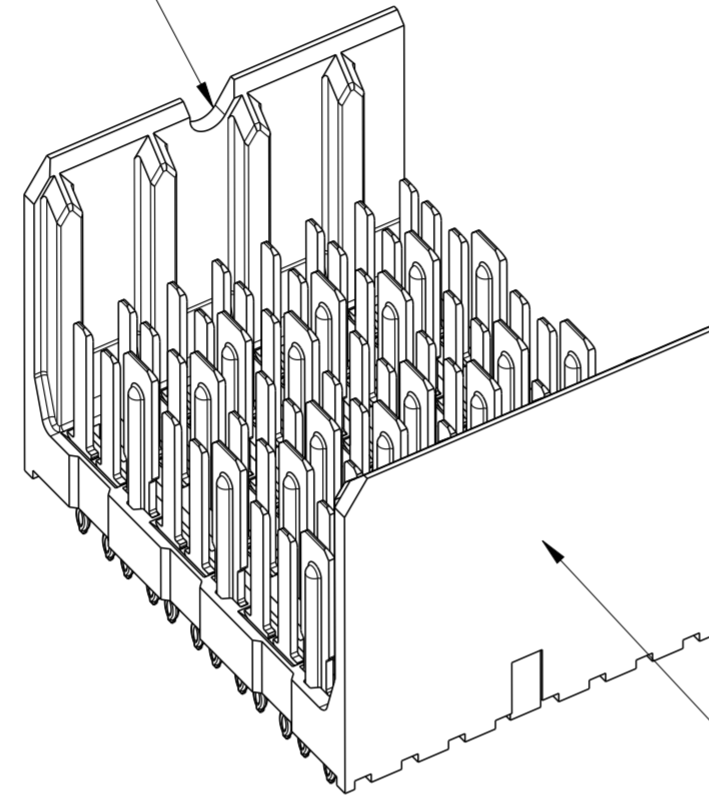
A

B

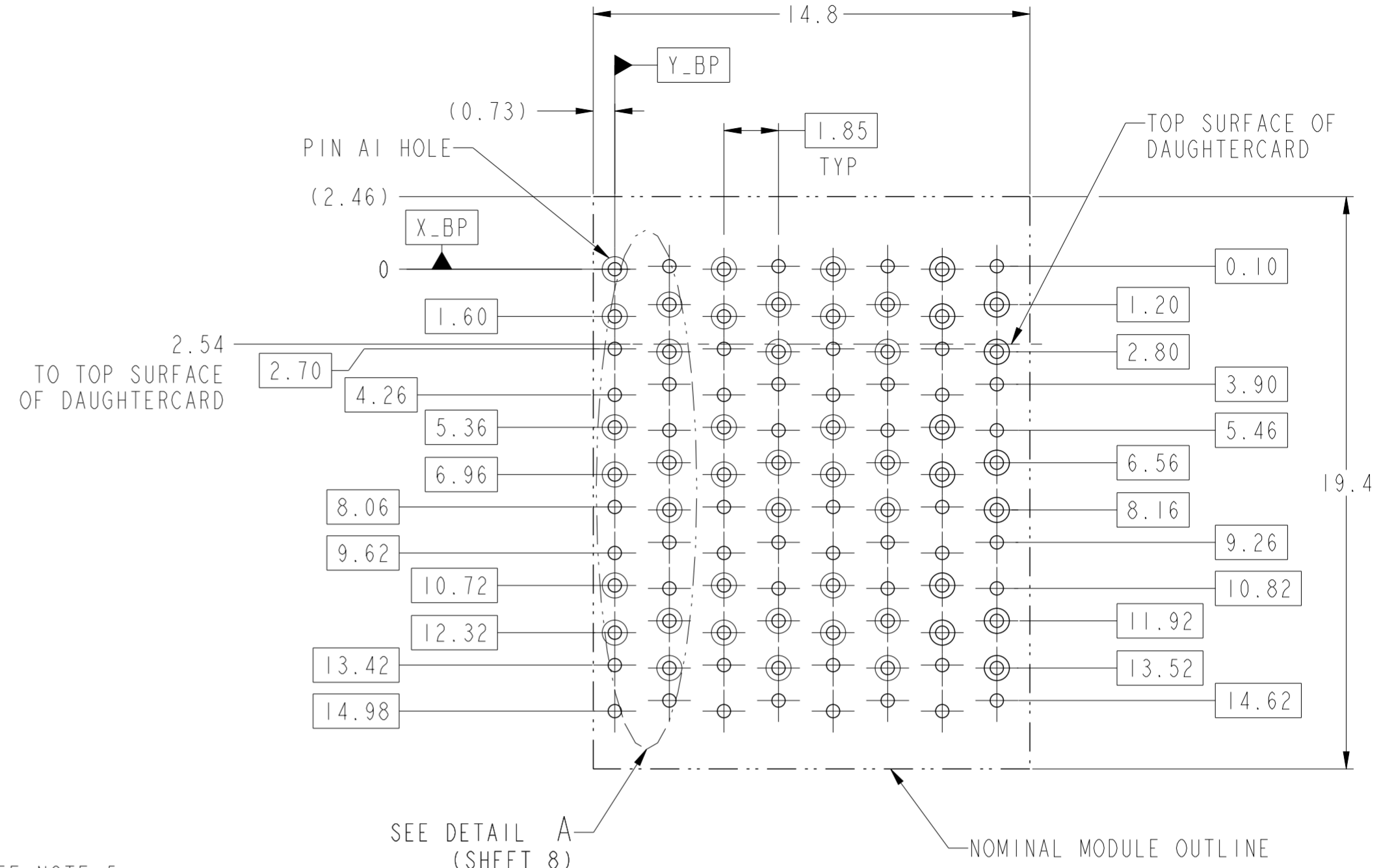
C



SEE NOTE 8



SEE NOTE 5

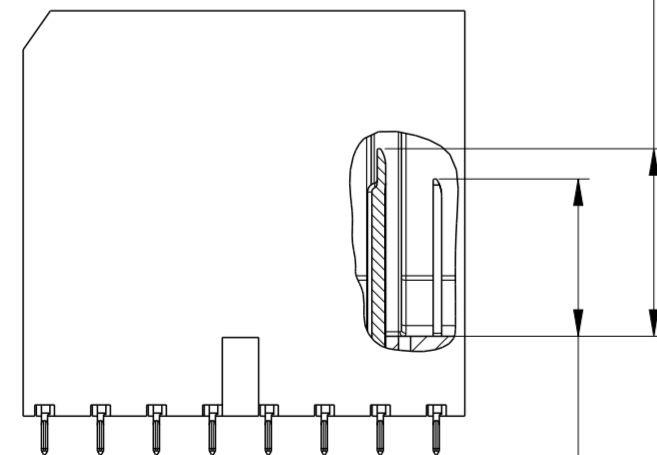


SEE DETAIL A (SHEET 8)

NOMINAL MODULE OUTLINE

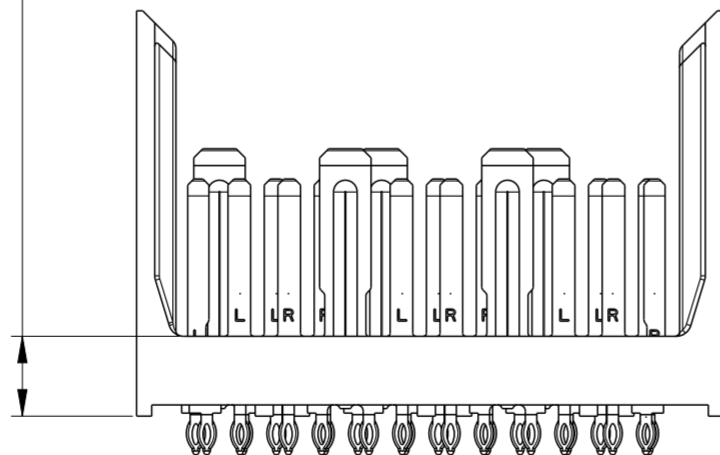
PCB HOLE PATTERN COMPONENT SIDE SCALE 6:1

6.2 (4MM WIPE WIDE GROUNDS)
5.2 (3MM WIPE WIDE GROUNDS)



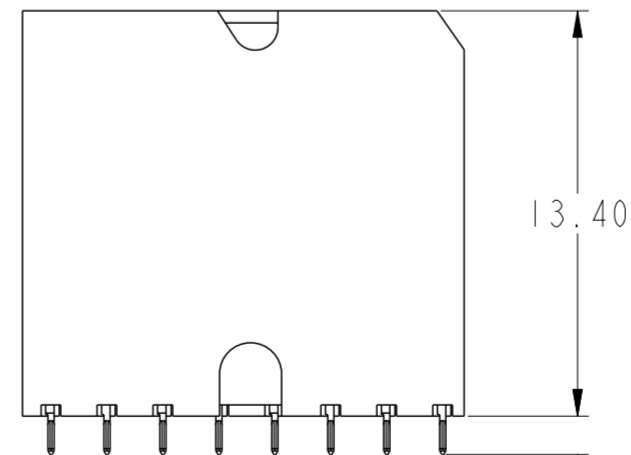
5.2 (3MM SMALL END GROUNDS)
5.2 (3MM WIPE SIGNALS)
4.2 (2MM WIPE SIGNALS)
SEE P/N TREE

2.64±0.10 FROM STANDOFF SURFACE TO MATING SURFACE



13.40

TAIL LENGTH SEE NOTE 12



Amphenol FCI

© 2016 AFCI

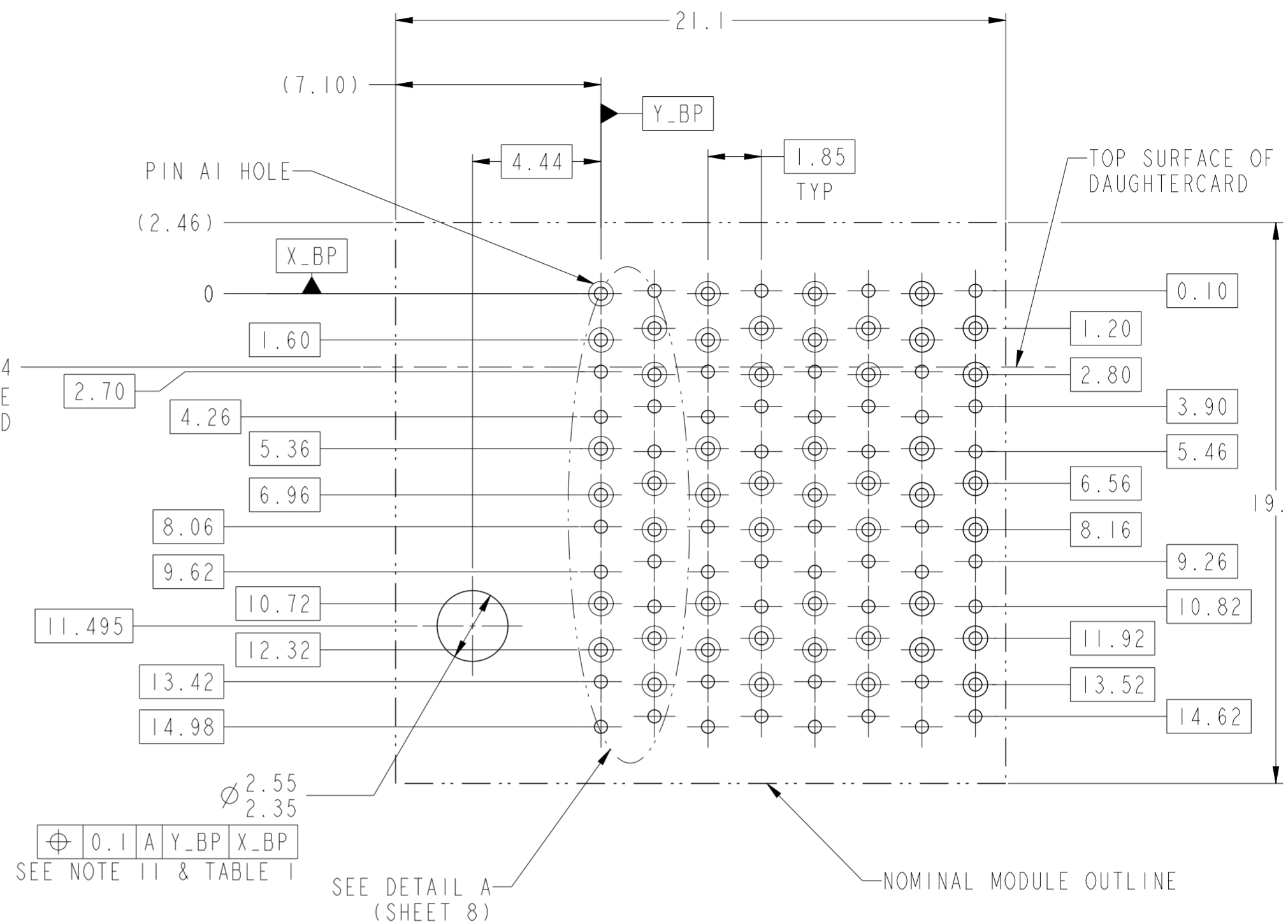
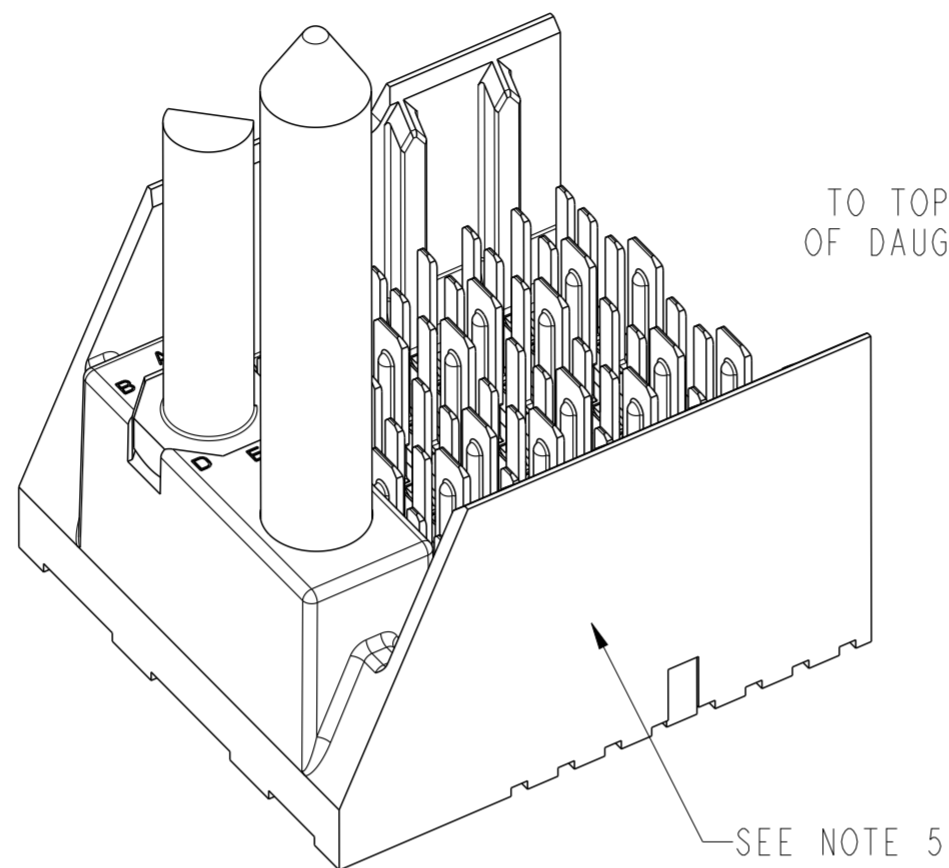
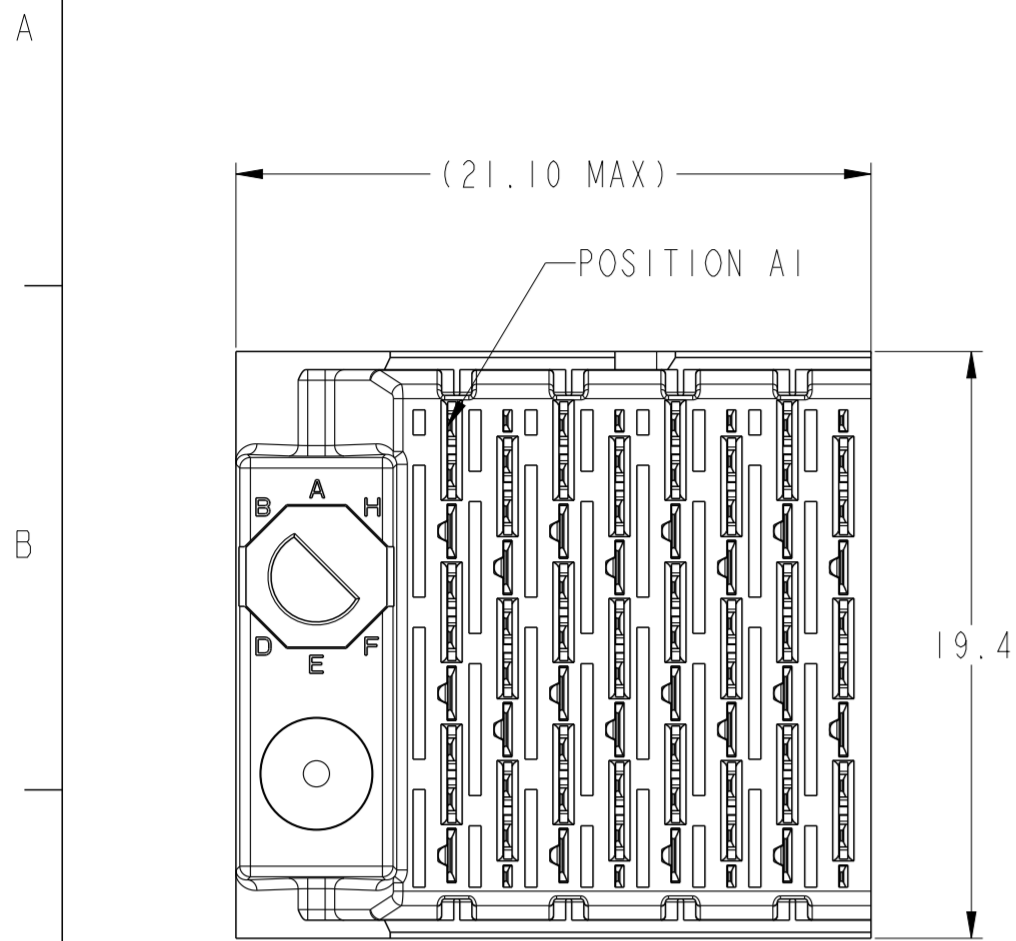
spec ref	-	dr	Roger Ng	2011/11/22	projection	MM	size	A2	scale	4:1
tolerance std	ASME Y14.5	eng	Michael Song	2016/06/01			ecn no	ELX-DG-24191-1	rel level	Released
TOLERANCES UNLESS OTHERWISE SPECIFIED		chr	Heaven Cen	2016/06/08						
surface	linear	0.X	±0.2		MODULE ASSEMBLY VERTICAL HEADER, 8-COLUMN, 3-PAIR	cat. no.	Product - Customer Drw	sheet 2 of 8	rev C	
		0.XX	±0.10							
	angular	0°	±2°							

PDS: Rev :C

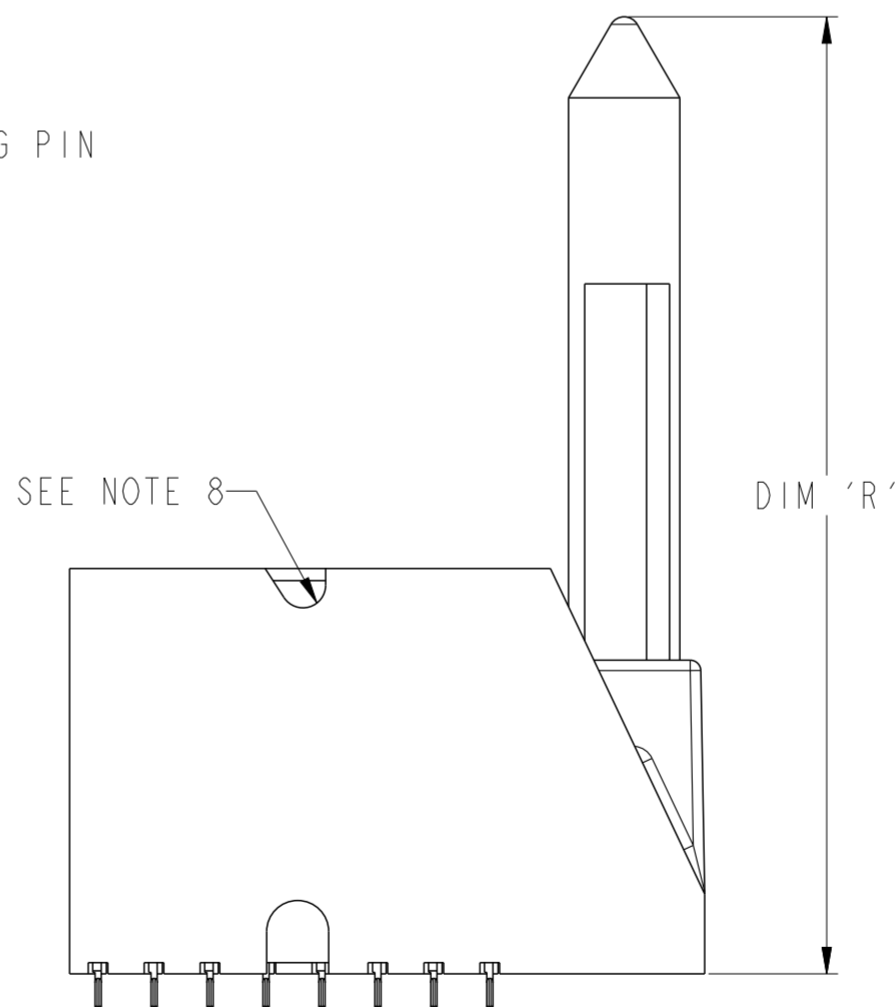
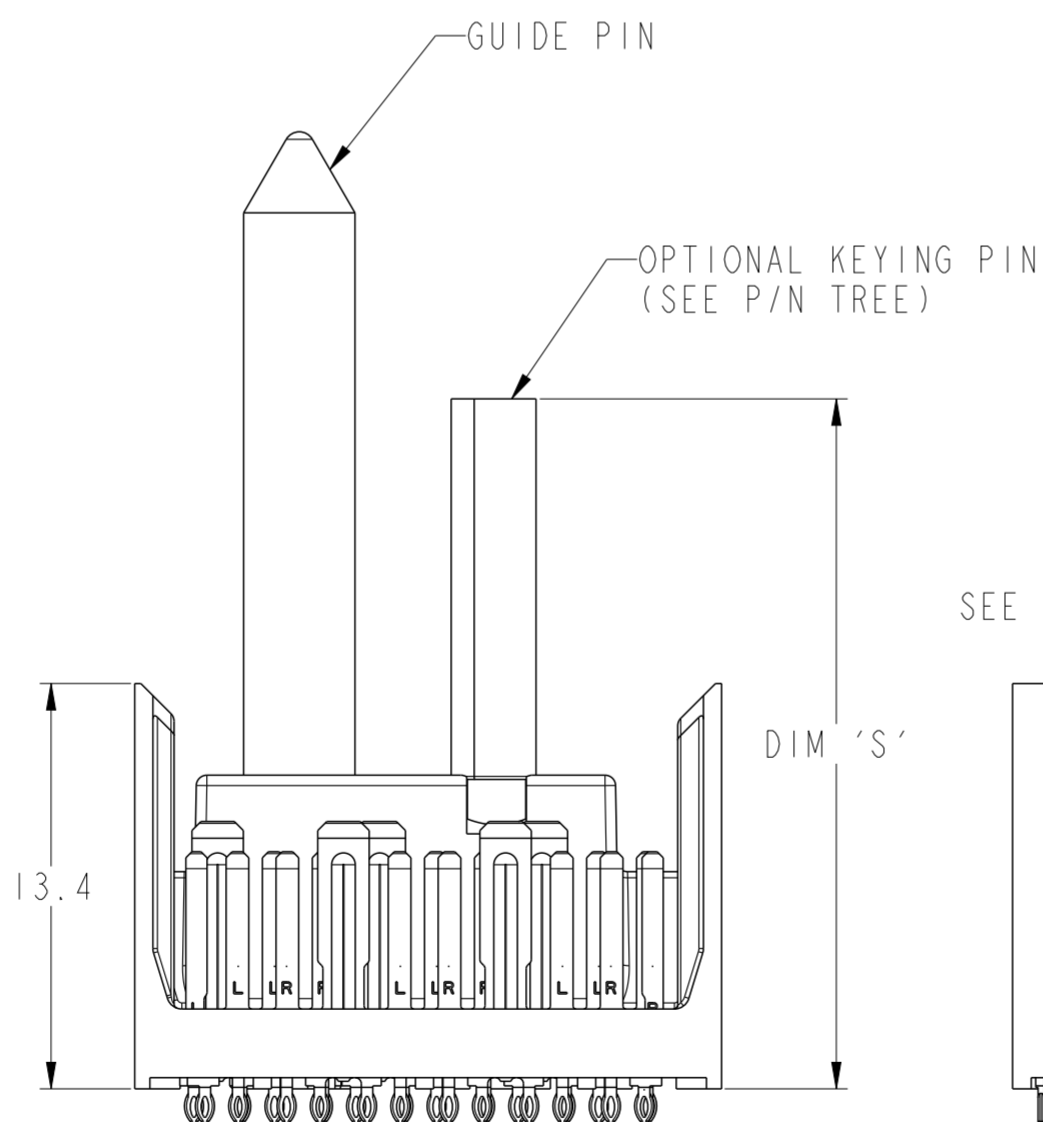
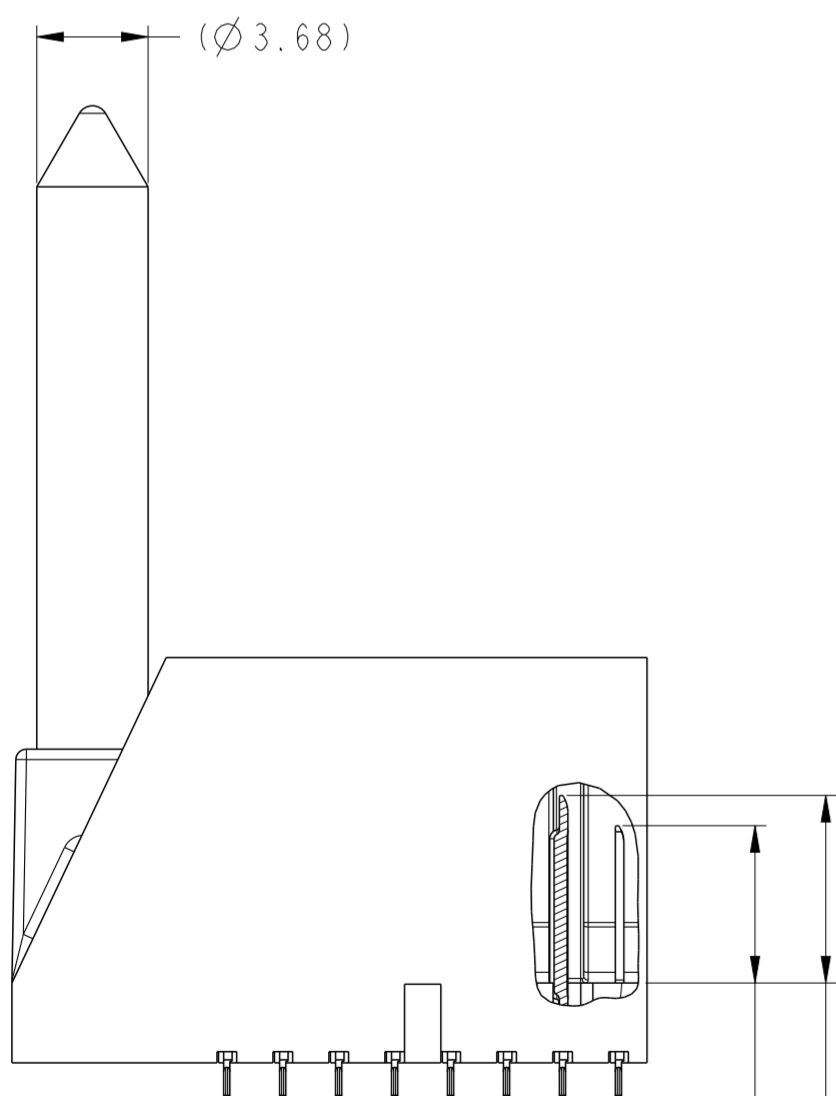
STATUS:Released

Printed: Jun 15, 2016

LEFT POLARIZING/GUIDE MODULE



PCB HOLE PATTERN
COMPONENT SIDE
SCALE 6:1



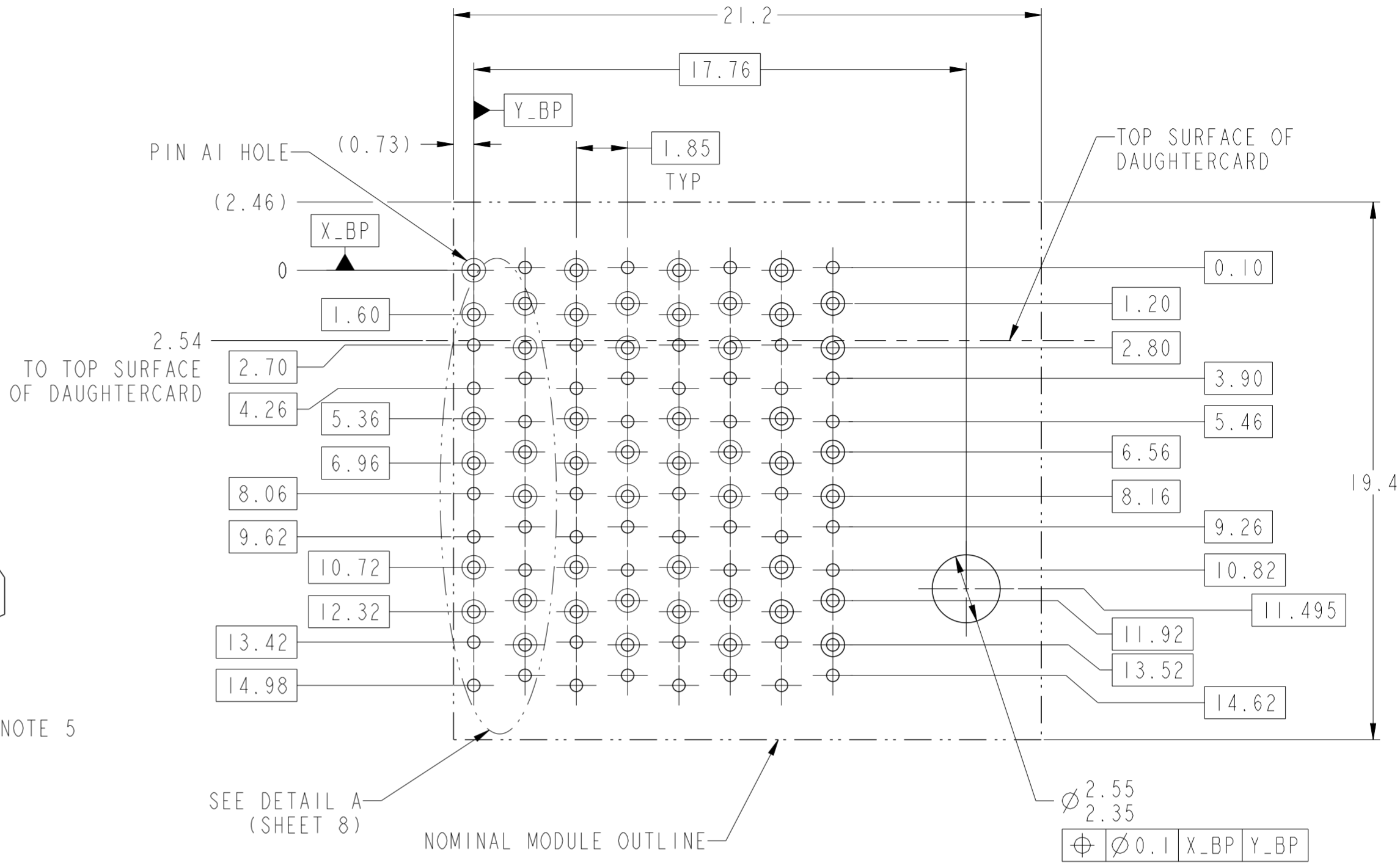
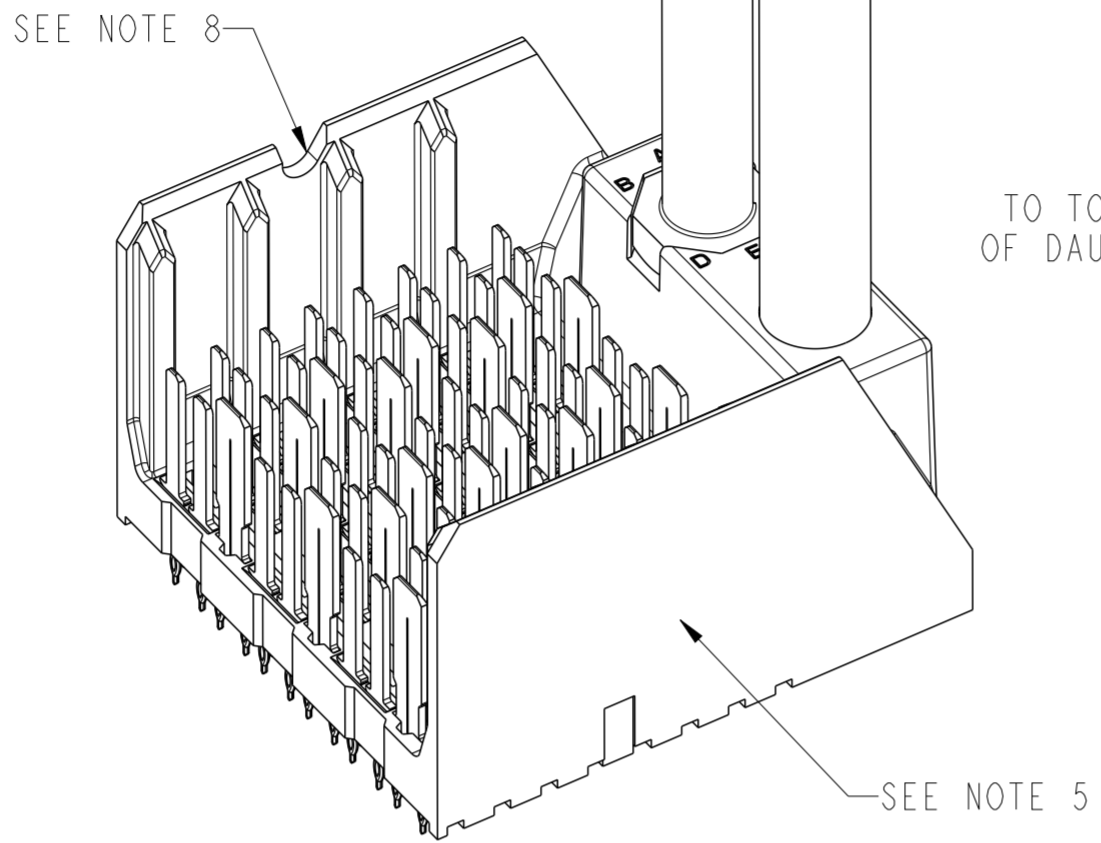
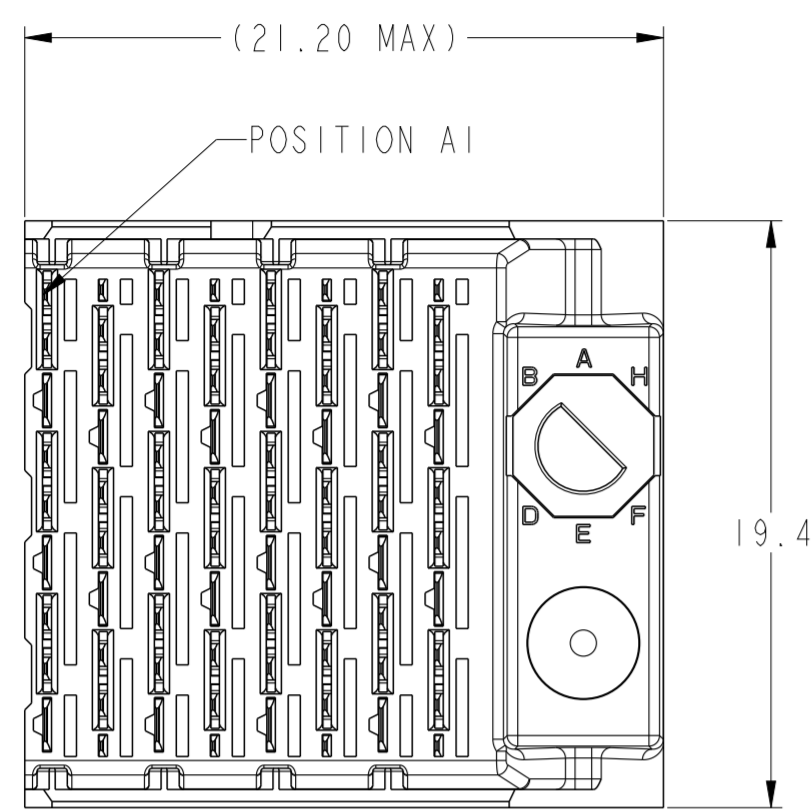
TAIL LENGTH
SEE NOTE 12

ASSEMBLY BASE CONFIGURATION END DASH NO.	GUIDE PIN	POLARIZING KEY
	DIM 'R'	DIM 'S'
-X0X	31.6mm	22.8mm
-X4X	25.7mm	20.0mm

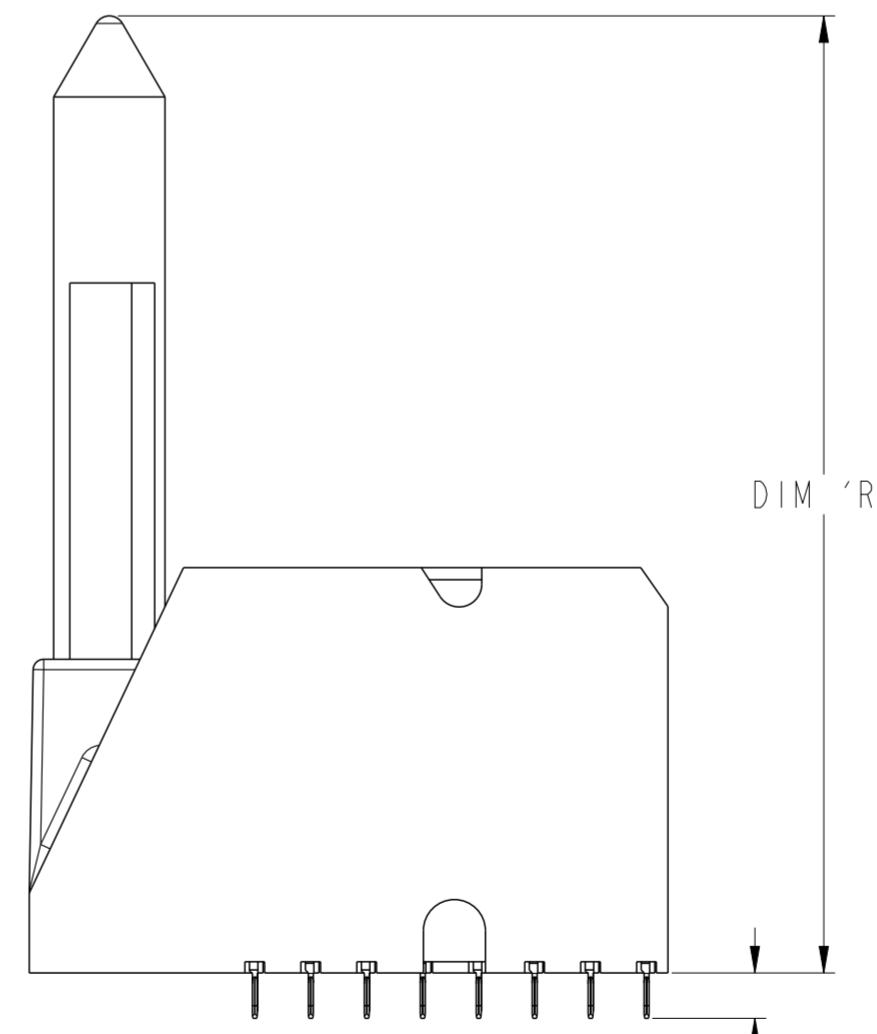
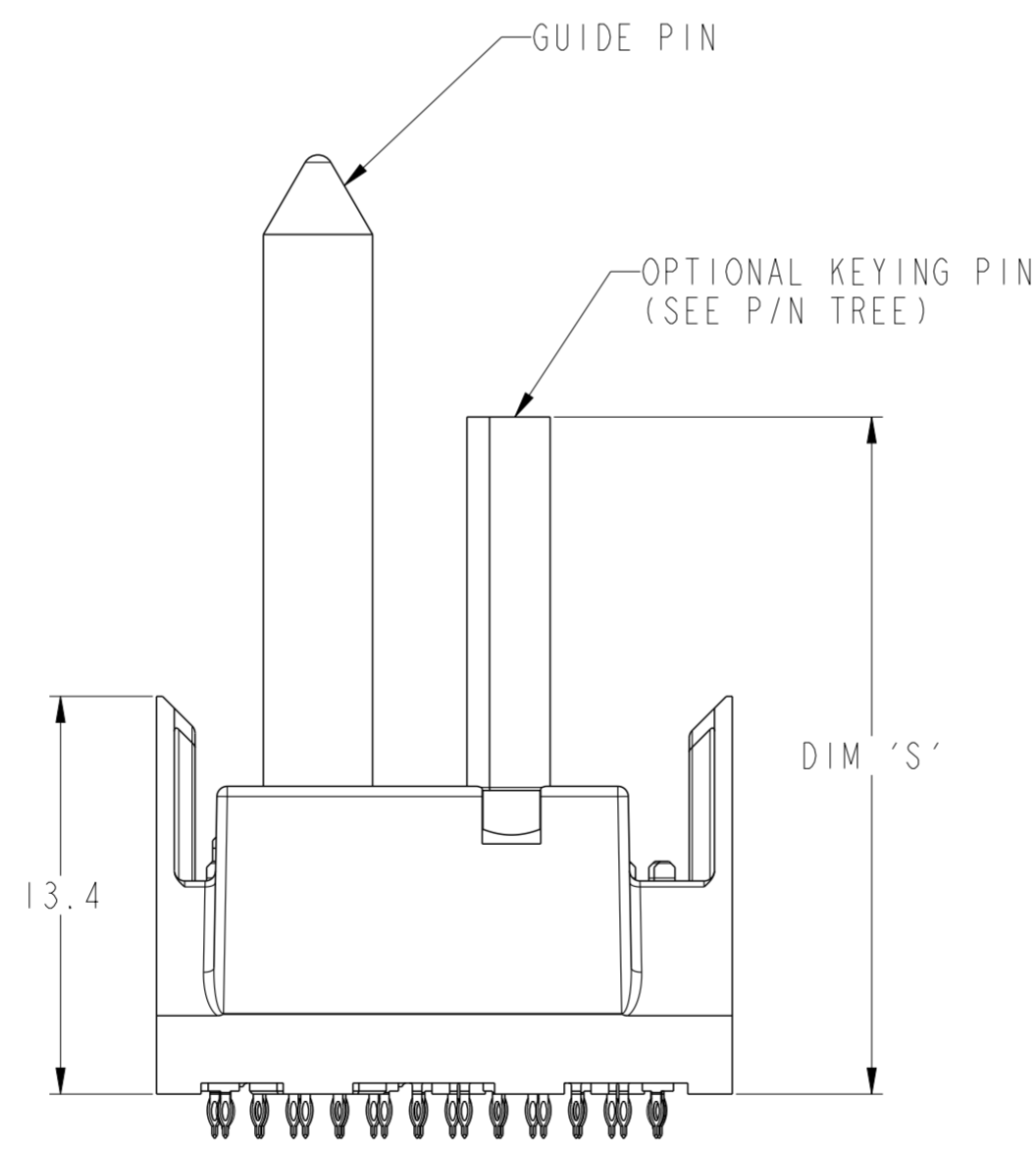
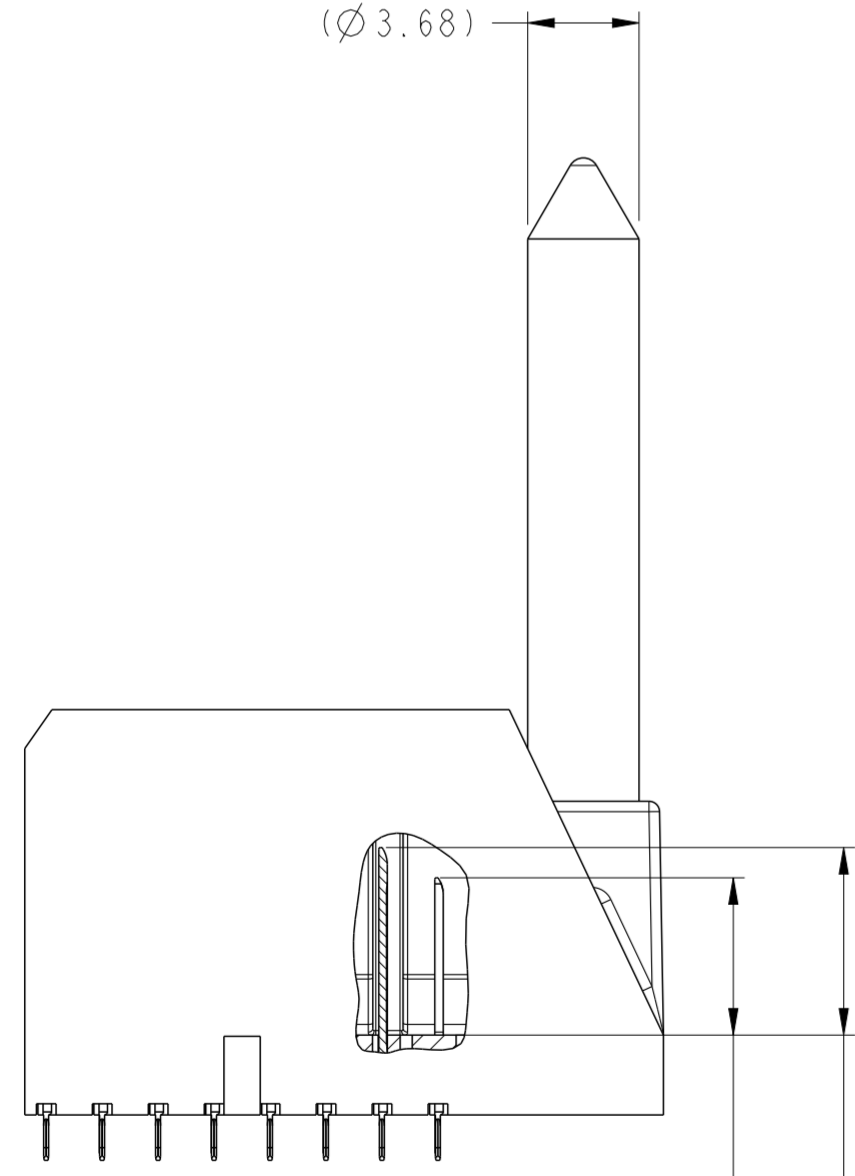
- 5.2 (3MM SMALL END GROUNDS)
- 5.2 (3MM WIPE SIGNALS)
- 4.2 (2MM WIPE SIGNALS)
- SEE P/N TREE
- 6.2 (4MM WIPE WIDE GROUNDS)
- 5.2 (3MM WIPE WIDE GROUNDS)

spec ref	-	dr	Roger Ng	2011/11/22	projection	MM	size	A2	scale	5:1
tolerance std	ASME Y14.5	eng	Michael Song	2016/06/01			ecn no	ELX-DG-24191-1	rel level	Released
TOLERANCES UNLESS OTHERWISE SPECIFIED		chr	Heaven Cen	2016/06/08						
surface	linear	0.X	±0.2		MODULE ASSEMBLY		cat. no.	Product - Customer Drw	sheet 3 of 8	rev C
ASME Y14.5	0.XX	±0.10	VERTICAL HEADER, 8-COLUMN, 3-PAIR							
	0.XXX	±0.050	title 10119191							

RIGHT POLARIZING/GUIDE MODULE



(\varnothing 3.68)



PCB HOLE PATTERN
COMPONENT SIDE
SCALE 6:1

ASSEMBLY BASE CONFIGURATION END DASH NO.	GUIDE PIN	POLARIZING KEY
	DIM 'R'	DIM 'S'
-X0X	31.6mm	22.8mm
-X4X	25.7mm	20.0mm

TAIL LENGTH
SEE NOTE 12

- 5.2 (3MM SMALL END GROUNDS)
- 5.2 (3MM WIPE SIGNALS)
- 4.2 (2MM WIPE SIGNALS)
- SEE P/N TREE
- 6.2 (4MM WIPE WIDE GROUNDS)
- 5.2 (3MM WIPE WIDE GROUNDS)

spec ref	-	dr	Roger Ng	2011/11/22	projection	MM	size	A2	scale	4:1																
tolerance std	ASME Y14.5	eng	Michael Song	2016/06/01			ecn no	ELX-DG-24191-1																		
TOLERANCES UNLESS OTHERWISE SPECIFIED		chr	Heaven Cen	2016/06/08				rel level	Released																	
<table border="1"> <tr> <td>surface</td> <td>linear</td> <td>0.X</td> <td>±0.2</td> </tr> <tr> <td></td> <td></td> <td>0.XX</td> <td>±0.10</td> </tr> <tr> <td></td> <td></td> <td>0.XXX</td> <td>±0.050</td> </tr> <tr> <td>ASME Y14.5</td> <td>angular</td> <td>0°</td> <td>±2°</td> </tr> </table>		surface	linear	0.X	±0.2			0.XX	±0.10			0.XXX	±0.050	ASME Y14.5	angular	0°	±2°	apppr	Pai-Ming Zheng	2016/06/15	product family	XCED		rel level	Released	
surface	linear	0.X	±0.2																							
		0.XX	±0.10																							
		0.XXX	±0.050																							
ASME Y14.5	angular	0°	±2°																							
<p>Amphenol FCI</p>		title	MODULE ASSEMBLY			cat. no.	Product - Customer Drw		sheet 4 of 8	rev	C															
		part no.	10119191																							

PDS: Rev :C

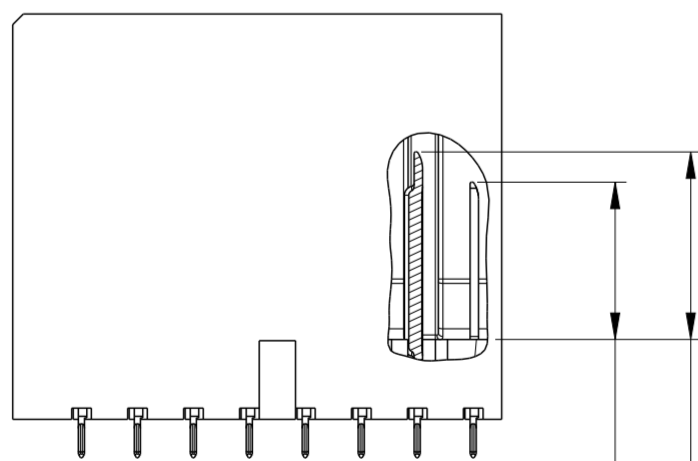
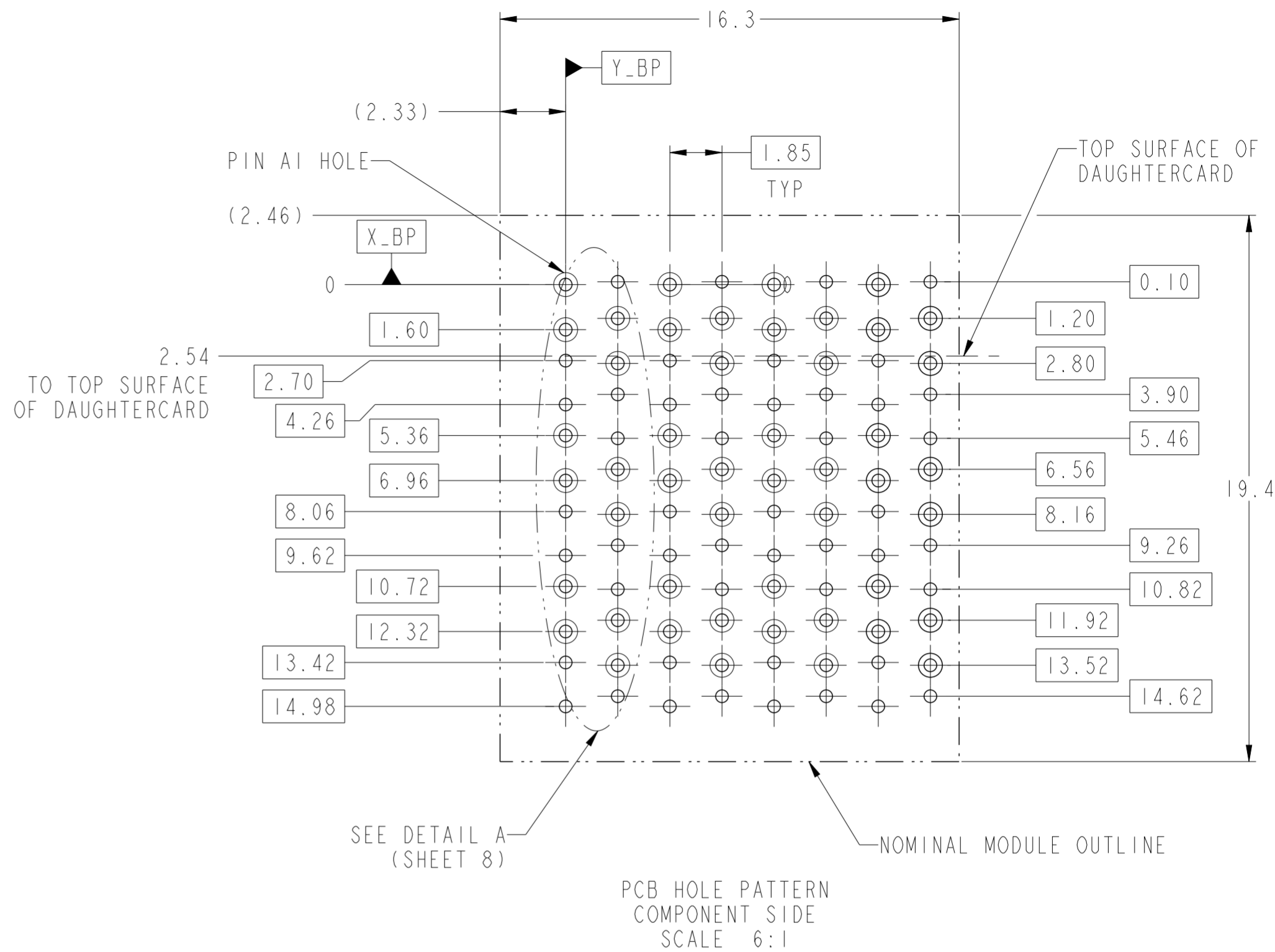
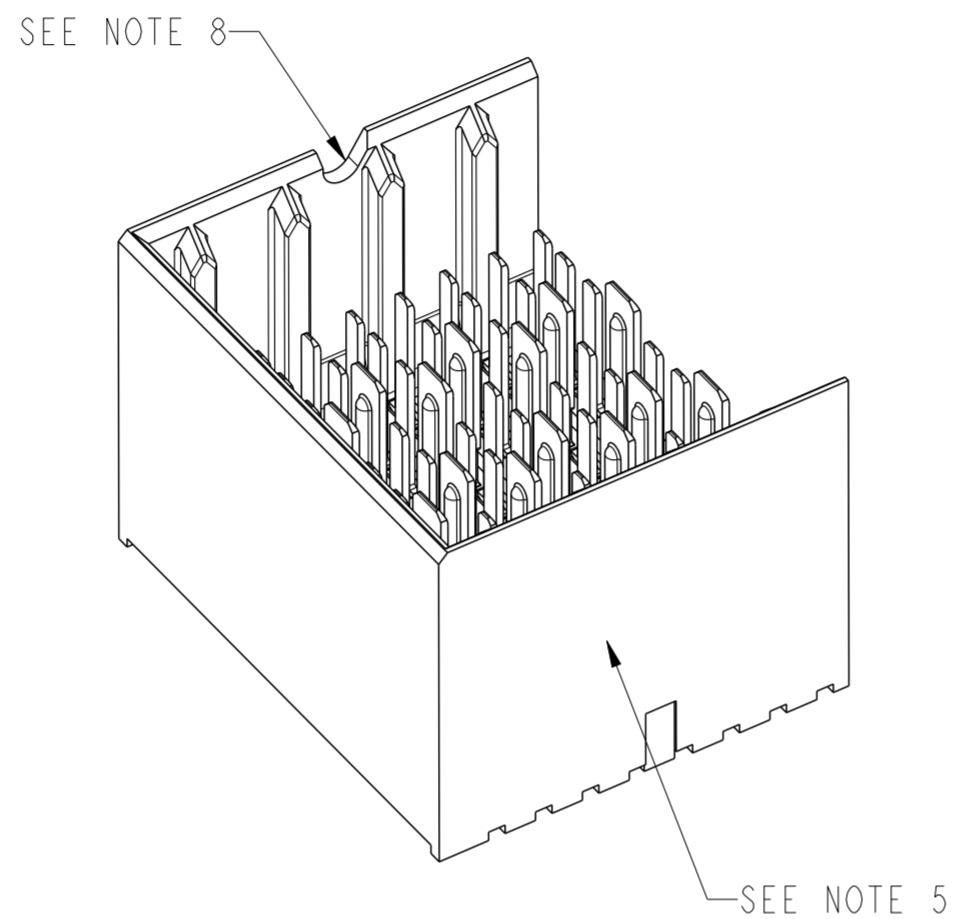
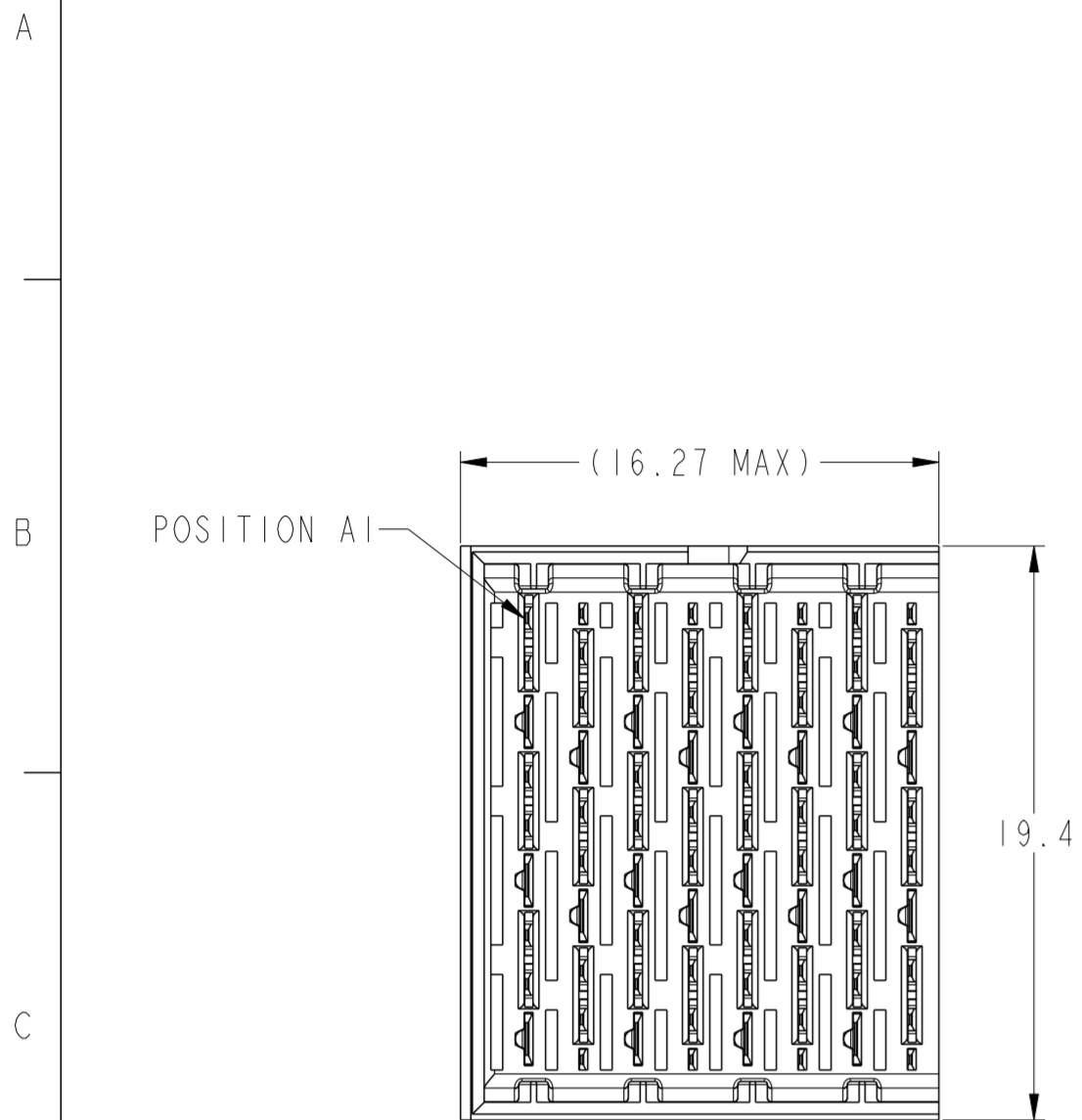
STATUS:Released

Printed: Jun 15, 2016

Amphenol FCI

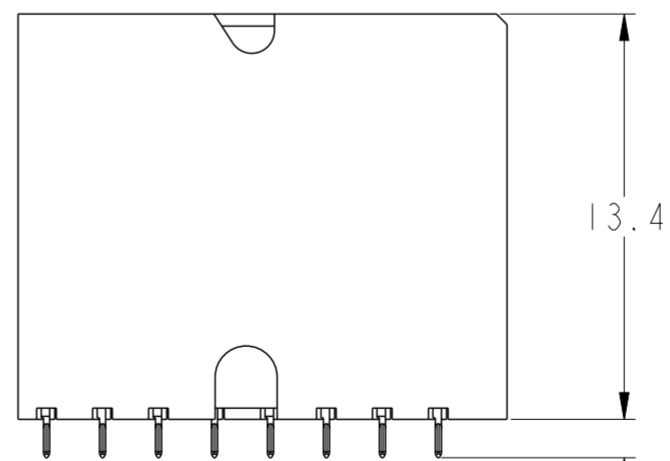
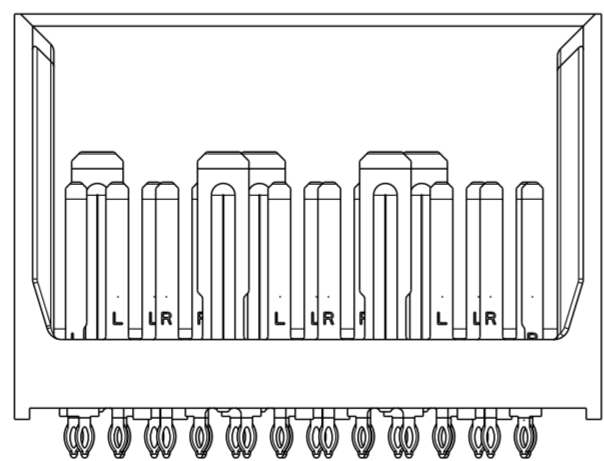
© 2016 AFCI

LEFT WALL MODULE



5.2 (3MM SMALL END GROUNDS)
 5.2 (3MM WIPE SIGNALS)
 4.2 (2MM WIPE SIGNALS)
 SEE P/N TREE

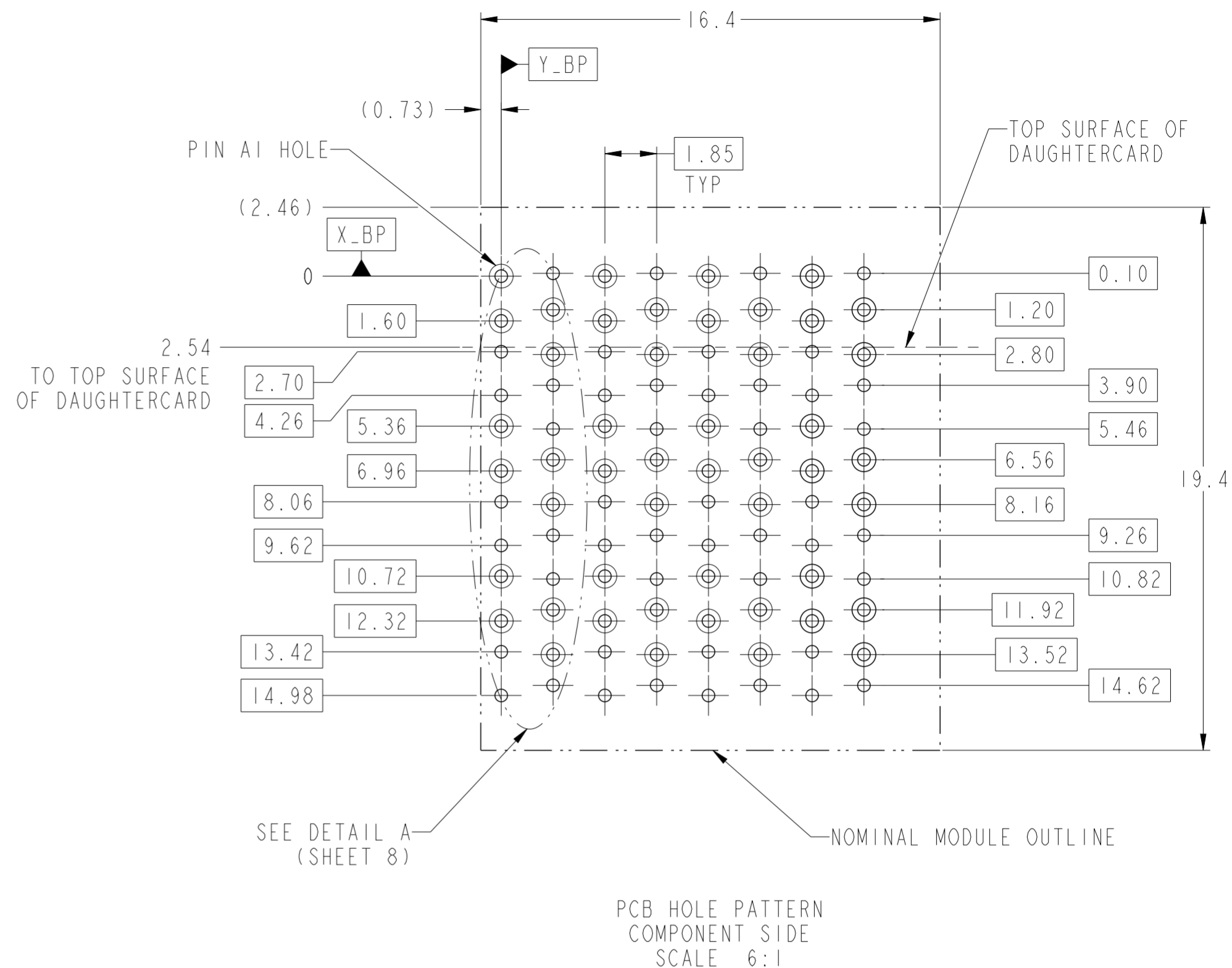
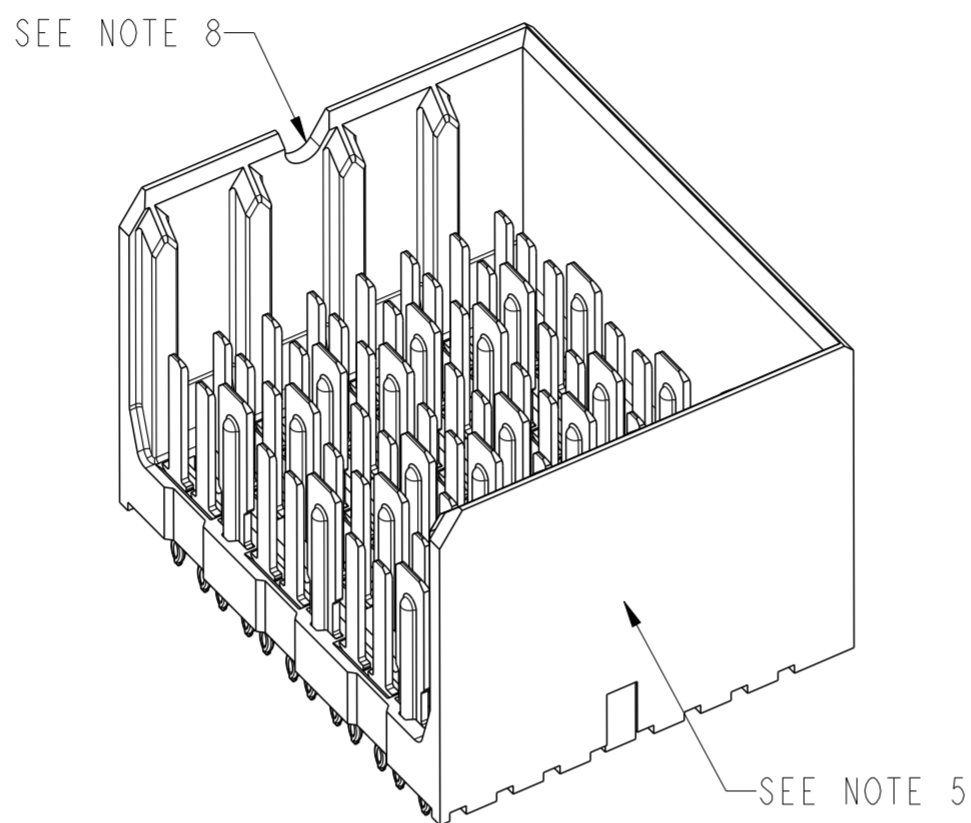
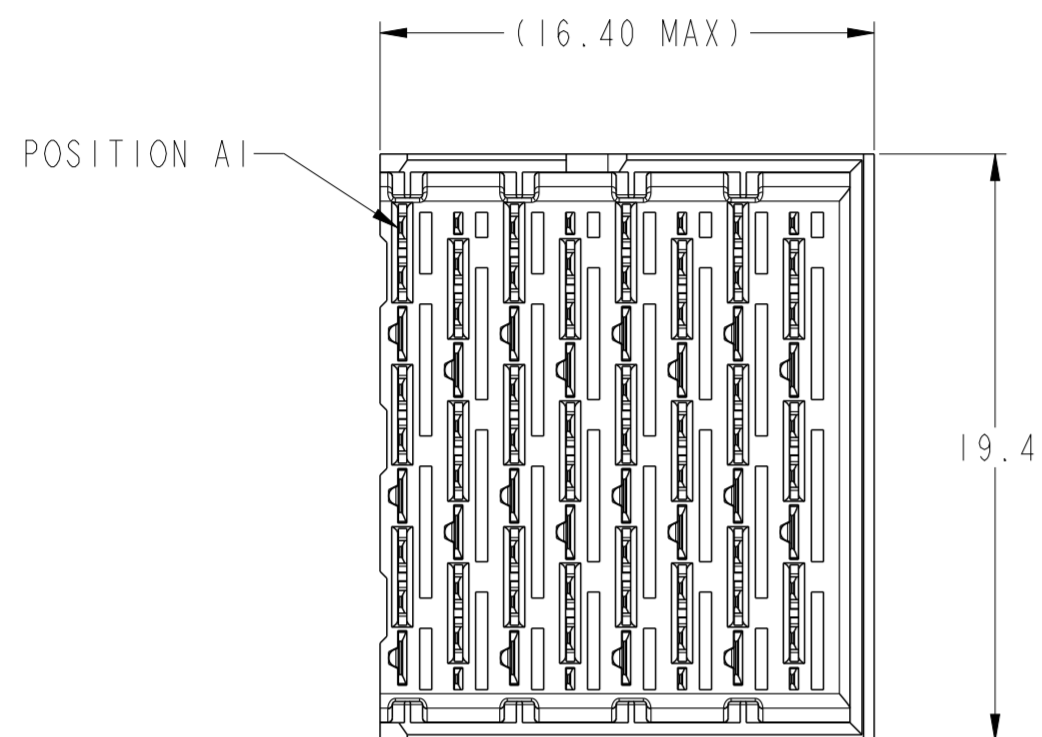
6.2 (4MM WIPE WIDE GROUNDS)
 5.2 (3MM WIPE WIDE GROUNDS)



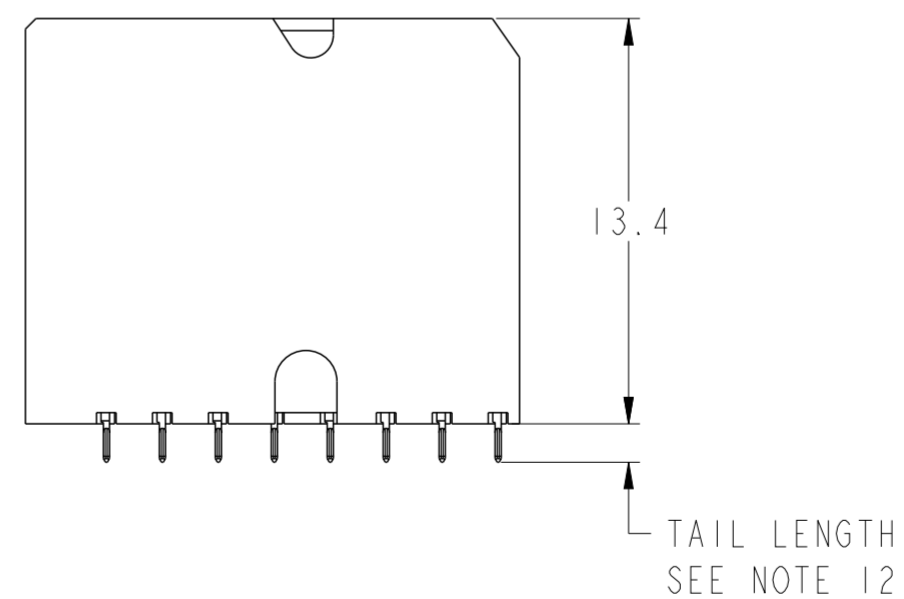
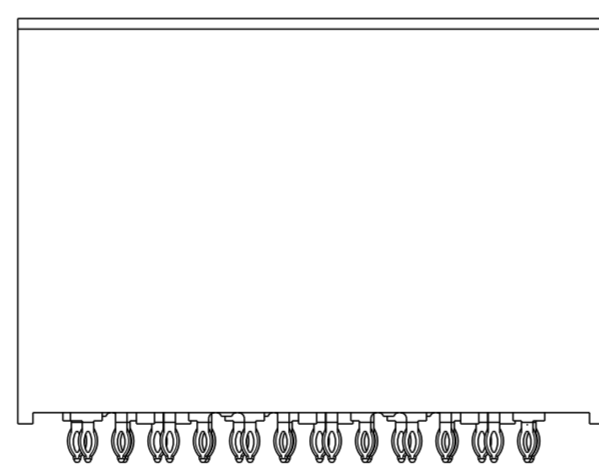
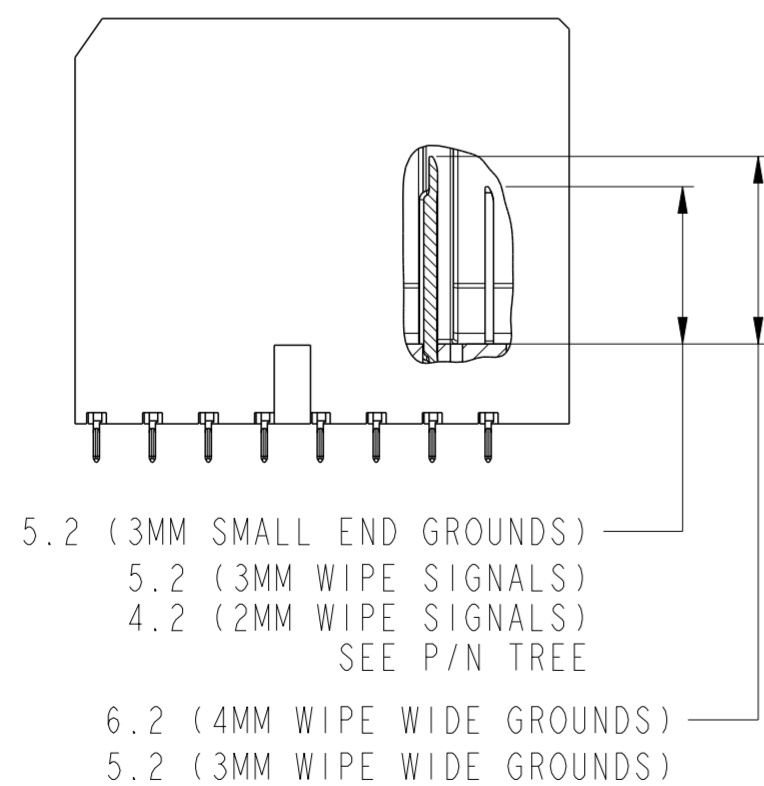
TAIL LENGTH
 SEE NOTE 12

spec ref	-	dr	Roger Ng	2011/11/22	projection	MM	size	A2	scale	4:1
tolerance std	ASME Y14.5	eng	Michael Song	2016/06/01			ecn no	ELX-DG-24191-1		
TOLERANCES UNLESS OTHERWISE SPECIFIED		chr	Heaven Cen	2016/06/08			rel level	Released		
surface	ASME Y14.5	appr	Pai-Ming Zheng	2016/06/15			product family	XCED		
linear	0.X ±0.2 0.XX ±0.10 0.XXX ±0.050			TITLE MODULE ASSEMBLY VERTICAL HEADER, 8-COLUMN, 3-PAIR		dwg no 10119191	rev C			
angular	0° ±2°	cat. no.		Product - Customer Drw		sheet 5 of 8				

RIGHT WALL MODULE



PCB HOLE PATTERN
COMPONENT SIDE
SCALE 6:1



spec ref	-	dr	Roger Ng	2011/11/22	projection	MM	size	A2	scale	4:1	
tolerance std	ASME Y14.5	eng	Michael Song	2016/06/01			ecn no	ELX-DG-24191-1	rel level Released		
TOLERANCES UNLESS OTHERWISE SPECIFIED		chr	Heaven Cen	2016/06/08			product family	XCEDE			
surface	linear	0.X	±0.2	0.XX			±0.10	0.XXX		±0.050	cat. no.
ASME Y14.5	angular	0°	±2°	Amphenol FCI		title MODULE ASSEMBLY VERTICAL HEADER, 8-COLUMN, 3-PAIR	dwg no 10119191	rev C			

FOUR WALL MODULE

A

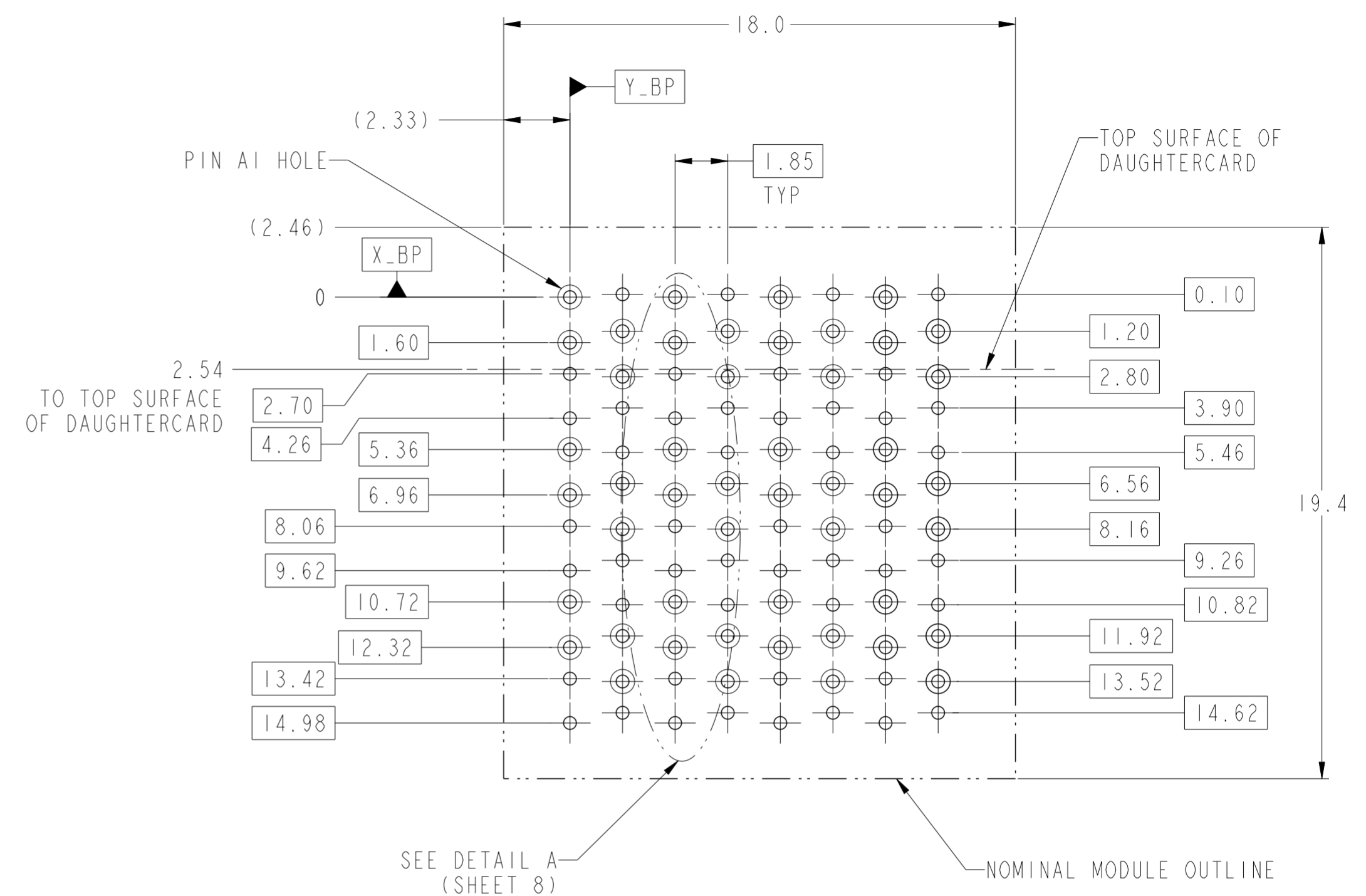
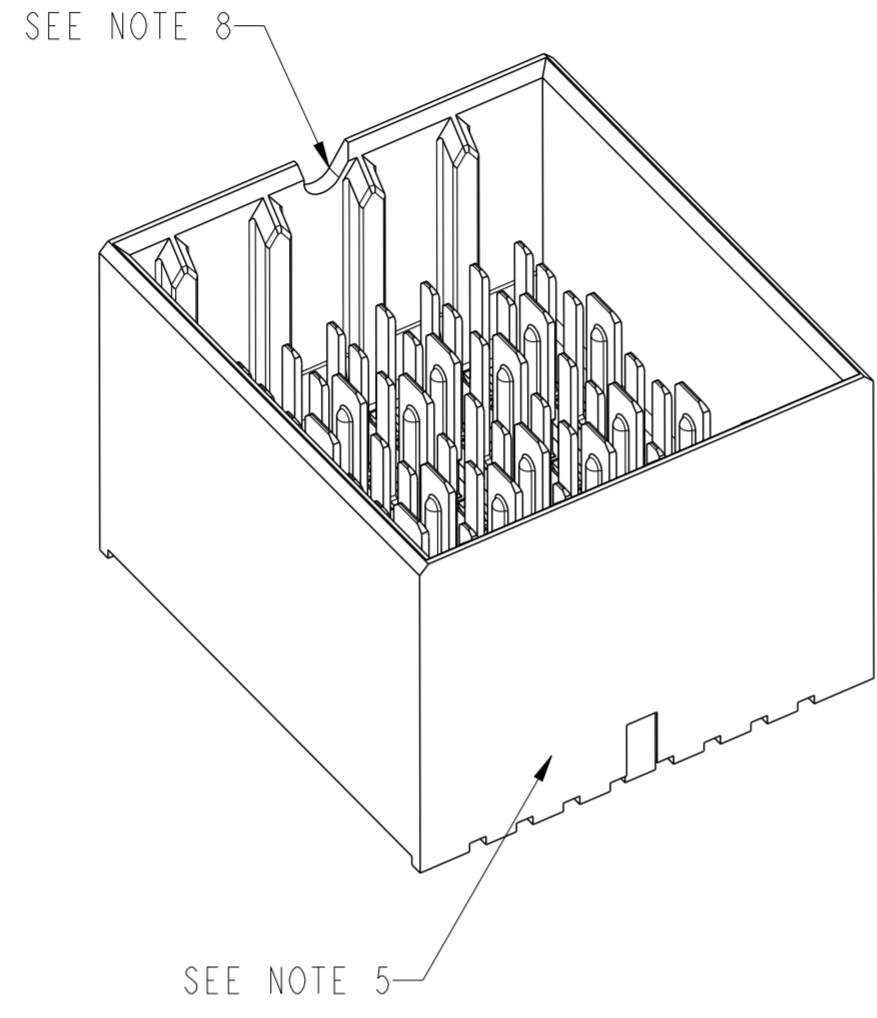
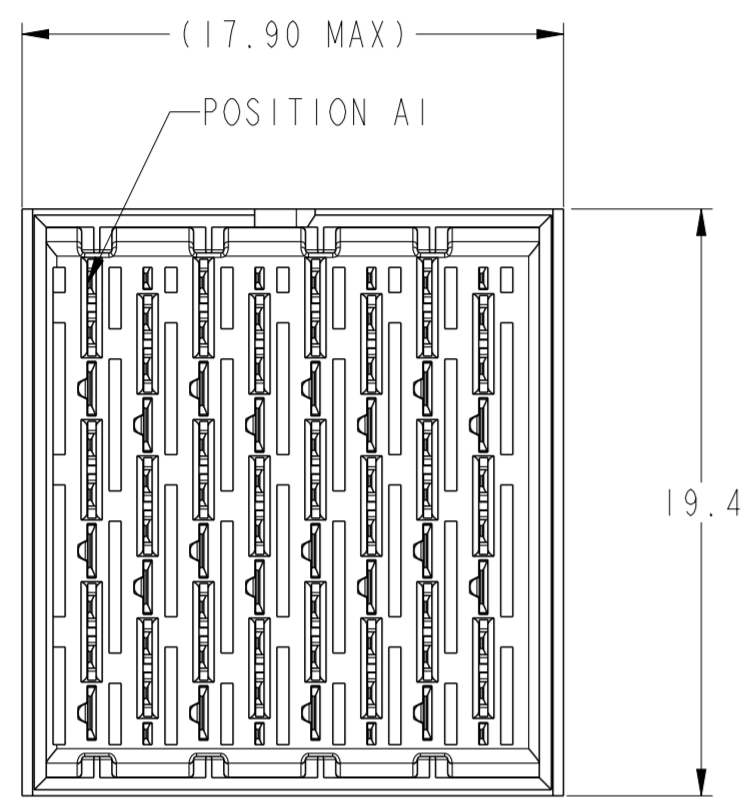
B

C

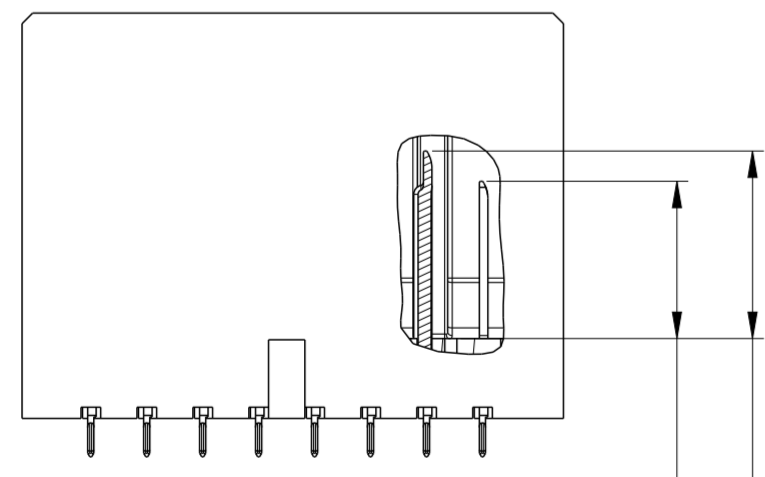
D

E

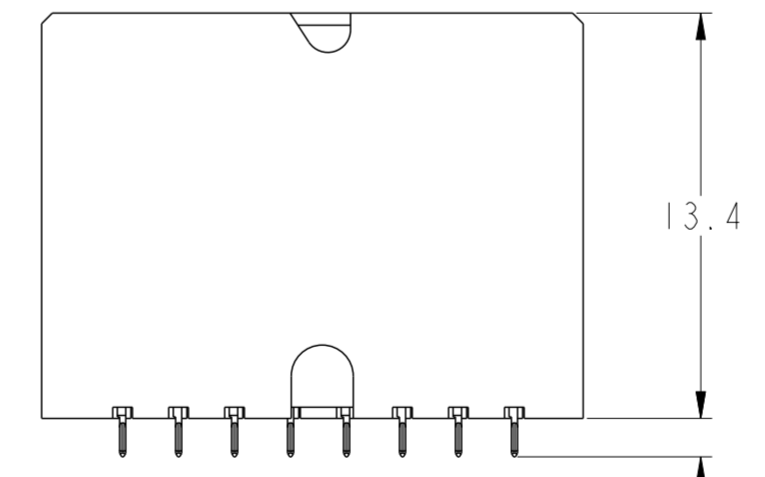
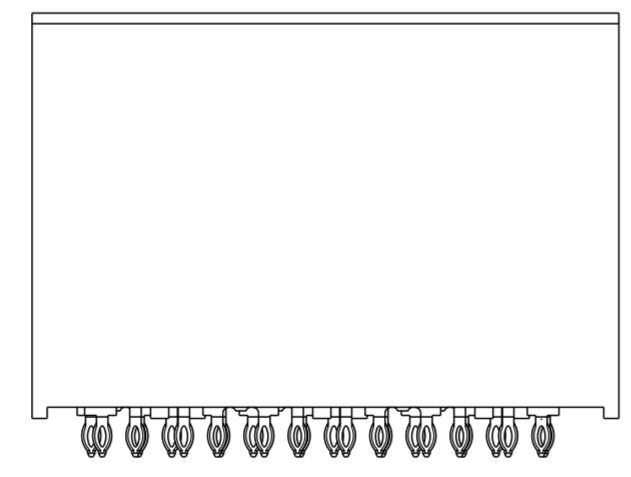
F



PCB HOLE PATTERN
COMPONENT SIDE
SCALE 6:1



- 5.2 (3MM SMALL END GROUNDS)
- 5.2 (3MM WIPE SIGNALS)
- 4.2 (2MM WIPE SIGNALS)
- SEE P/N TREE
- 6.2 (4MM WIPE WIDE GROUNDS)
- 5.2 (3MM WIPE WIDE GROUNDS)



spec ref	-	dr	Roger Ng	2011/11/22	projection	MM	size	A2	scale	4:1	
tolerance std	ASME Y14.5	eng	Michael Song	2016/06/01			ecn no	ELX-DG-24191-1	rel level	Released	
TOLERANCES UNLESS OTHERWISE SPECIFIED		chr	Heaven Cen	2016/06/08			product family	XCEDE		rel level	Released
surface	linear	0.X	±0.2	0.XX			±0.10	0.XXX		±0.050	ASME Y14.5
		Amphenol FCI		MODULE ASSEMBLY		VERTICAL HEADER, 8-COLUMN, 3-PAIR		cat. no.	Product - Customer Drw	sheet 7 of 8	

PDS: Rev :C

STATUS:Released

Printed: Jun 15, 2016

Amphenol FCI

© 2016 AFCI

TABLE 3: PTH AND PAD SIZES WITH REFERENCE TO COMPLIANT PIN DRILL		
COMPLIANT PIN DRILL	PTH	PAD
∅0.55 [0.0217"]	∅0.45±0.05	∅0.85
∅0.45 [0.0177"]	∅0.36±0.05	∅0.75

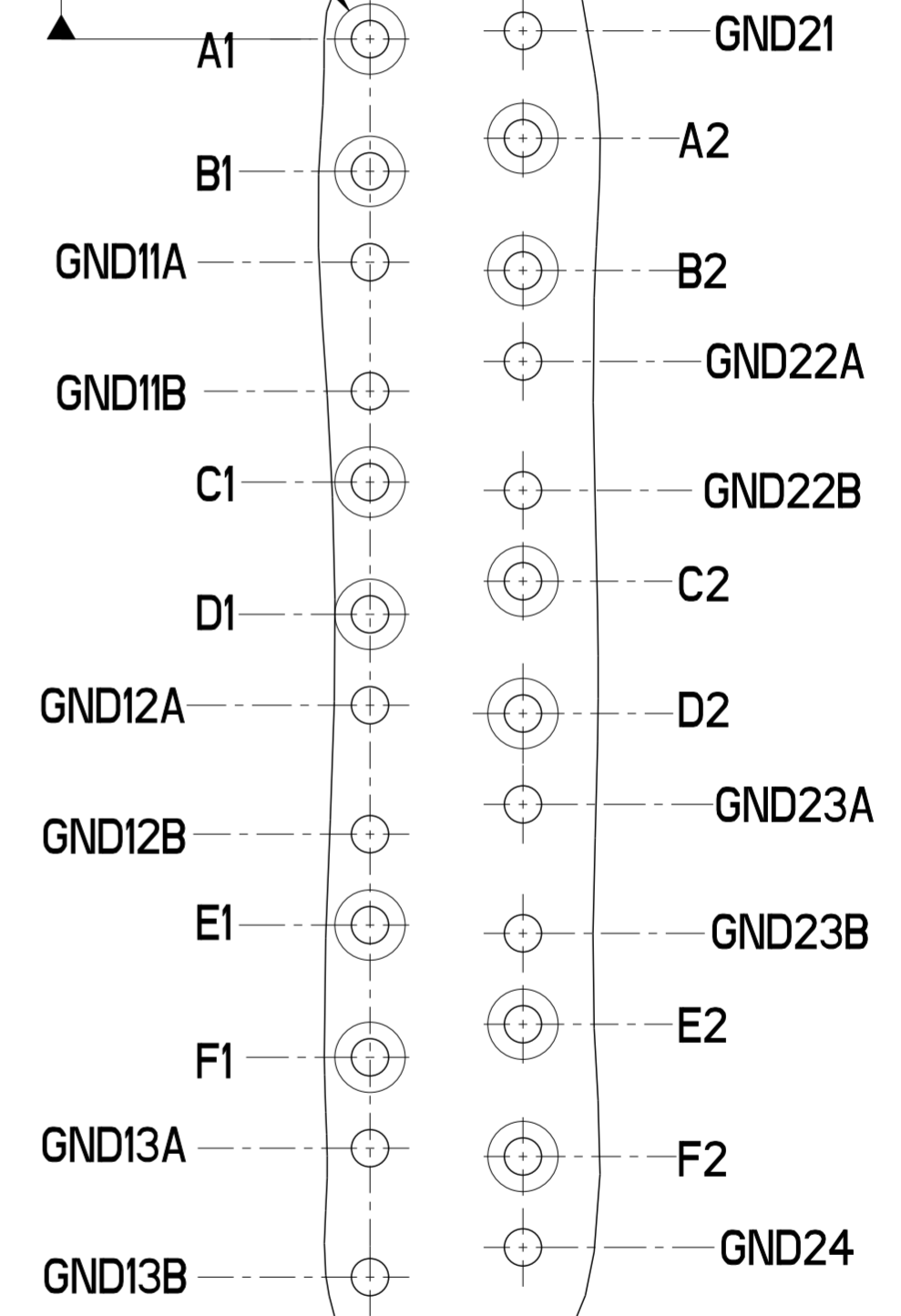
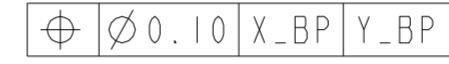
NOTES:

1. CONNECTOR MATERIALS
SHROUD: HIGH-TEMP THERMOPLASTIC, GRAY, UL94V-0
CONTACTS: HIGH PERFORMANCE COPPER ALLOY
2. CONTACT PLATING:

SEPARABLE INTERFACE: PERFORMANCE-BASED PLATING, QUALIFIED TO MEET THE REQUIREMENTS OF FCI PRODUCT SPECIFICATION GS-12 588, INCLUDING THE TELCORDIA GR-1217-CORE (NOVEMBER 1995) CENTRAL OFFICE (CO) OR UNCONTROLLED ENVIRONMENT (UE) TEST SEQUENCE AS NOTED IN P/N TREE.

PRESS-FIT TAILS: TIN OVER NICKEL (LF), OR TIN-LEAD ALLOY OVER NICKEL (NON-LF). SEE P/N TREE.
3. PRODUCT SPECIFICATION: GS-12-588
4. APPLICATION SPECIFICATION: GS-20-121
5. PRODUCT MARKING (PART NUMBER AND LOT CODE) ON THESE SURFACES.
6. HOUSING MUST WITHSTAND EXPOSURE TO 260°C PEAK TEMPERATURE FOR 40 SECONDS IN A CONVECTION, INFRA-RED, OR VAPOR-PHASE REFLOW OVEN.
7. PACKAGING MEETS GS-14-920 LEAD-FREE LABELING SPECIFICATION.
8. NOTCH INDICATES "ROW A" SIDE OF CONNECTOR.
9. SEE APPLICATION SPECIFICATION FOR ROUTING GUIDELINES, ADDITIONAL PTH GUIDELINES, MATED DIMENSIONS, GUIDE PN SELECTION, ETC.
10. SCREW IS OPTIONAL AND ENGAGES WITH BOTTOM OF GUIDE-PIN FROM BENEATH THE PCB FOR ADDITIONAL GUIDE-PIN SUPPORT.
11. OPTIMAL HOLE LOCATION FOR GROUNDED PIN OR ADDITIONAL GUIDE-PIN SUPPORT. SEE TABLE 1 ON SHEET 1 FOR ADDITIONAL DETAILS.
12. TAIL LENGTH=1.3mm FOR ∅0.55[0.0217"]COMPLIANT PIN DRILL
TAIL LENGTH=1.5mm FOR ∅0.45[0.0177"]COMPLIANT PIN DRILL

REFER TO TABLE 3 FOR PTH, DRILL & PAD SIZES



DETAIL A
SCALE 12:1

Amphenol FCI

© 2016 AFCI

spec ref	-	dr	Roger Ng	2011/11/22	projection	MM	size	A2	scale	3:1			
tolerance std	ASME Y14.5	eng	Michael Song	2016/06/01			ecn no	ELX-DG-24191-1					
TOLERANCES UNLESS OTHERWISE SPECIFIED		chr	Heaven Cen	2016/06/08			rel level	Released					
surface	ASME Y14.5	appr	Pai-Ming Zheng	2016/06/15			product family	-	rel level	Released			
		linear	0.X	±0.2	Amphenol FCI		title	MODULE ASSEMBLY		dwg no	10119191	rev	C
			0.XX	±0.10	VERTICAL HEADER, 8-COLUMN, 3-PAIR		cat. no.	-	Product - Customer Drw	sheet 8 of 8			
		angular	0°	±2°									

PDS: Rev :C

STATUS:Released

Printed: Jun 15, 2016