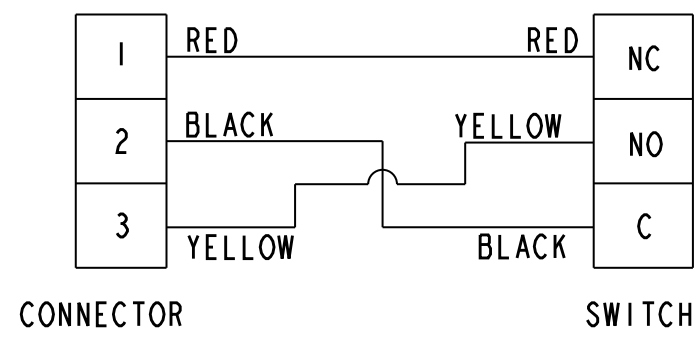
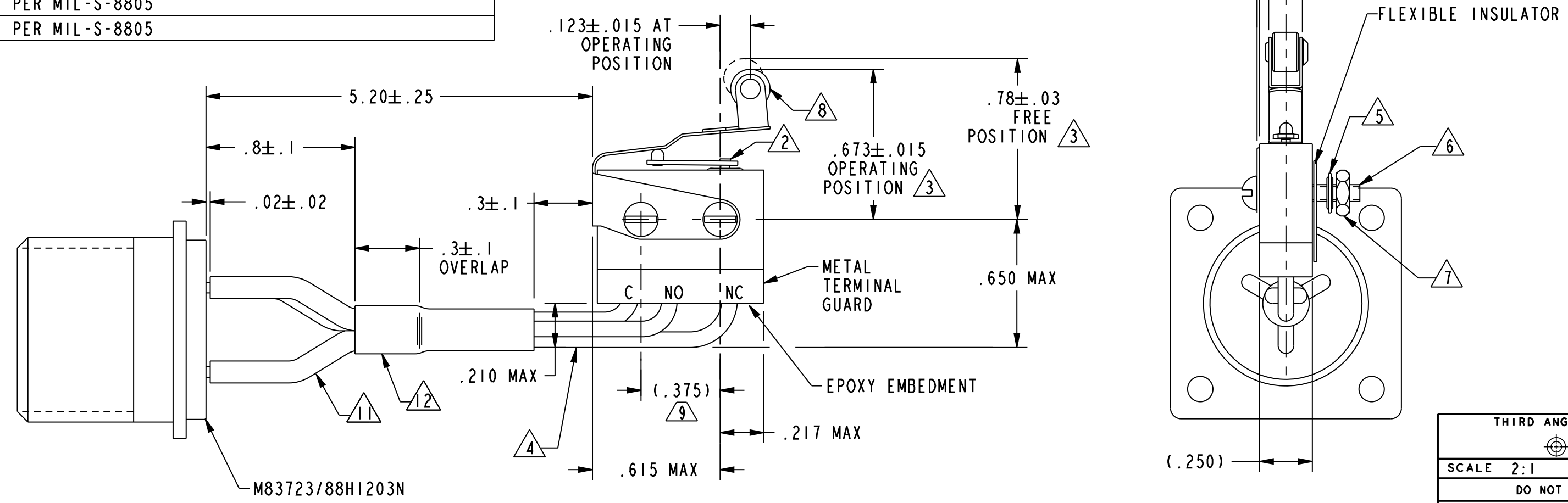


SPECIFICATION DETAILS:																
STANDARD:	△13															
CONSTRUCTION:																
ENCLOSURE DESIGN	HERMETIC SEAL															
CONTACT MATERIAL & CONFIGURATION	SILVER															
CIRCUIT CONFIGURATION	SEE CIRCUIT DIAGRAM															
TERMINATION	SEE DRAWING															
WEIGHT																
EXPOSED METALS	CORROSION RESISTANT STAINLESS STEEL															
ELECTRICAL CHARACTERISTICS:																
CONTACT ARRANGEMENT	S.P.D.T.															
ELECTRICAL RATINGS	<table border="1"> <thead> <tr> <th>LOAD</th> <th>SEA LEVEL</th> <th>70,000 FT</th> </tr> </thead> <tbody> <tr> <td>28 VDC</td> <td>115 VAC, 400 CPS</td> <td>28 VDC</td> </tr> <tr> <td>RESISTIVE</td> <td>4 AMP</td> <td>2 AMP</td> </tr> <tr> <td>INDUCTIVE</td> <td>2 AMP</td> <td>2 AMP</td> </tr> <tr> <td>LAMP</td> <td>1 AMP</td> <td>.5 AMP</td> </tr> </tbody> </table>	LOAD	SEA LEVEL	70,000 FT	28 VDC	115 VAC, 400 CPS	28 VDC	RESISTIVE	4 AMP	2 AMP	INDUCTIVE	2 AMP	2 AMP	LAMP	1 AMP	.5 AMP
LOAD	SEA LEVEL	70,000 FT														
28 VDC	115 VAC, 400 CPS	28 VDC														
RESISTIVE	4 AMP	2 AMP														
INDUCTIVE	2 AMP	2 AMP														
LAMP	1 AMP	.5 AMP														
DIELECTRIC STRENGTH & INSULATION RES (BASIC SWITCH)	<table border="1"> <thead> <tr> <th>DIELECTRIC STRENGTH (≈ 60 Hz FOR 5 SECONDS)</th> <th>INSULATION RESISTANCE (500 VDC ±10%)</th> </tr> </thead> <tbody> <tr> <td>1000 V Rms, 500 μ A (MAX LEAKAGE)</td> <td>1000 Megohm MIN</td> </tr> <tr> <td>1000 V Rms, 500 μ A (MAX LEAKAGE)</td> <td>1000 Megohm MIN</td> </tr> <tr> <td>1000 V Rms, 500 μ A (MAX LEAKAGE)</td> <td>1000 Megohm MIN</td> </tr> </tbody> </table>	DIELECTRIC STRENGTH (≈ 60 Hz FOR 5 SECONDS)	INSULATION RESISTANCE (500 VDC ±10%)	1000 V Rms, 500 μ A (MAX LEAKAGE)	1000 Megohm MIN	1000 V Rms, 500 μ A (MAX LEAKAGE)	1000 Megohm MIN	1000 V Rms, 500 μ A (MAX LEAKAGE)	1000 Megohm MIN							
DIELECTRIC STRENGTH (≈ 60 Hz FOR 5 SECONDS)	INSULATION RESISTANCE (500 VDC ±10%)															
1000 V Rms, 500 μ A (MAX LEAKAGE)	1000 Megohm MIN															
1000 V Rms, 500 μ A (MAX LEAKAGE)	1000 Megohm MIN															
1000 V Rms, 500 μ A (MAX LEAKAGE)	1000 Megohm MIN															
-BETWEEN TERMINALS AND EXPOSED NON-CURRENT CARRYING METAL																
-BETWEEN TERMINALS OF MUTUALLY INSULATED CIRCUITS																
-BETWEEN ALL UNCONNECTED TERMINALS OF THE SAME POLE																
SWITCH RESISTANCE	N/A															
RECOMMENDATION OR USE IN APPL LESS THAN .5 amps AND/OR 12 volts	N/A △4															
MECHANICAL CHARACTERISTICS:																
OPERATING FORCE	9 OZ MAX															
RELEASE FORCE	2 OZ MIN															
DIFFERENTIAL TRAVEL	.030 MAX															
OVERTRAVEL	.030 MIN															
MOUNTING STRENGTH	N/A															
LIFE:	△13															
MECHANICAL LIFE	25,000 MIN															
ELECTRICAL LIFE AT FULL RATED LOAD	25,000 MIN															
ENVIRONMENTAL:																
TEMPERATURE RANGE	-65°F TO +250°F															
ALTITUDE RANGE	SEA LEVEL TO 70,000 FT															
SHOCK △13	PER MIL-S-8805 SYMBOL M-100g															
VIBRATION △13	PER MIL-S-8805 SYMBOL 2 - 10-2000 Hz & 15g PEAK															
MOISTURE RESISTANCE △13	PER MIL-S-8805															
THERMAL SHOCK △13	PER MIL-S-8805															
SALT SPRAY △13	PER MIL-S-8805															



CIRCUIT DIAGRAM

- NOTES
- 1 - UNIT INCLUDES 2HM SERIES TYPE BASIC SWITCH WITH ACTUATOR ASSEMBLED
 - △2 ADJUSTMENT CAUTION: DO NOT ALLOW ACTUATOR LEAF TO COME IN CONTACT WITH FIXED END OF HM LEVER, SEAL DAMAGE MAY OCCUR
 - △3 LEAF ACTUATOR ADJUSTED TO MEET SPECIFIED OPERATING POSITION PRIOR TO DELIVERY. DISASSEMBLY AND SUBSEQUENT REASSEMBLY MAY ALTER THIS CONDITION
 - △4 3X NO. 18 WIRE LEAD PER MIL-W-22759/11 (RED N.C., BLACK COM. YELLOW N.O.)
 - △5 2X CORROSION RESISTANT STEEL LOCKWASHER
 - △6 2X 2-56 UNC X .500 CORROSION RESISTANT STEEL ROUND HEAD MACHINE SCREW
 - △7 2X 2-56 UNC CORROSION RESISTANT STEEL HEX NUT
 - △8 Ø.19 X .12 WIDE CORROSION RESISTANT STEEL ROLLER (CONCENTRICITY .005 FIM)
 - △9 HOLES THROUGH ACTUATOR WILL SIMULTANEOUS ACCEPT Ø.087 MIN PINS ON .375±.002 CENTERS
 - 10 - INSULATION RESISTANCE BETWEEN EITHER PIN AND CONNECTOR SHELL MUST BE 100 MEGOHMS MIN AT 500 VDC
 - △1 3X HEAT SHRINK TUBING PER M23053/12-312-C OR EQUIVALENT
 - △2 HEAT SHRINK TUBING PER M23053/12-325-C OR EQUIVALENT
 - △3 BASIC SWITCH IS CATEGORY II DEVICE PER MIL-S-8805/8
 - △4 CONTACT HONEYWELL/MICRO SWITCH IF ADDITIONAL INFORMATION ON LOW ENERGY LOADS IS REQUIRED OR FOR HELP WITH SPECIFIC APPLICATIONS



M 38HM46

38HM46
 DRAWING NUMBER
 ISSUE 6
 P.T.C./CAD 20
 DRAWN
 CSL 24 FEB 03
 CHECK
 SAV 24 FEB 03
 CHECK
 REVISIONS
 A 207497
 C S L
 24 FEB 03
 B 207593
 L J B
 6 MAR 03
 C 0064546
 B N
 18 MAY 10
 RELEASE NO. PR-22237
 REPLACES X100923-HM

THIS DRAWING COVERS A PROPRIETARY ITEM AND IS THE PROPERTY OF MICRO SWITCH, A DIVISION OF HONEYWELL. THIS DRAWING IS NOT TO BE COPIED OR USED WITHOUT THE APPROVAL OF MICRO SWITCH.

MICRO SWITCH
a Honeywell Division

SWITCH AND CONNECTOR ASSEMBLY

CATALOG LISTING
38HM46

ANSI Y14.5M-1982 APPLIES
FED. MFG. CODE 91929

THIRD ANGLE PROJECTION

SCALE 2:1

DO NOT SCALE PRINT

UNLESS OTHERWISE SPECIFIED TOLERANCES ARE

ONE PLACE	(.0)	±.030
TWO PLACES	(.00)	±.015
THREE PLACES	(.000)	±.005
ANGLES		±

WEIGHT