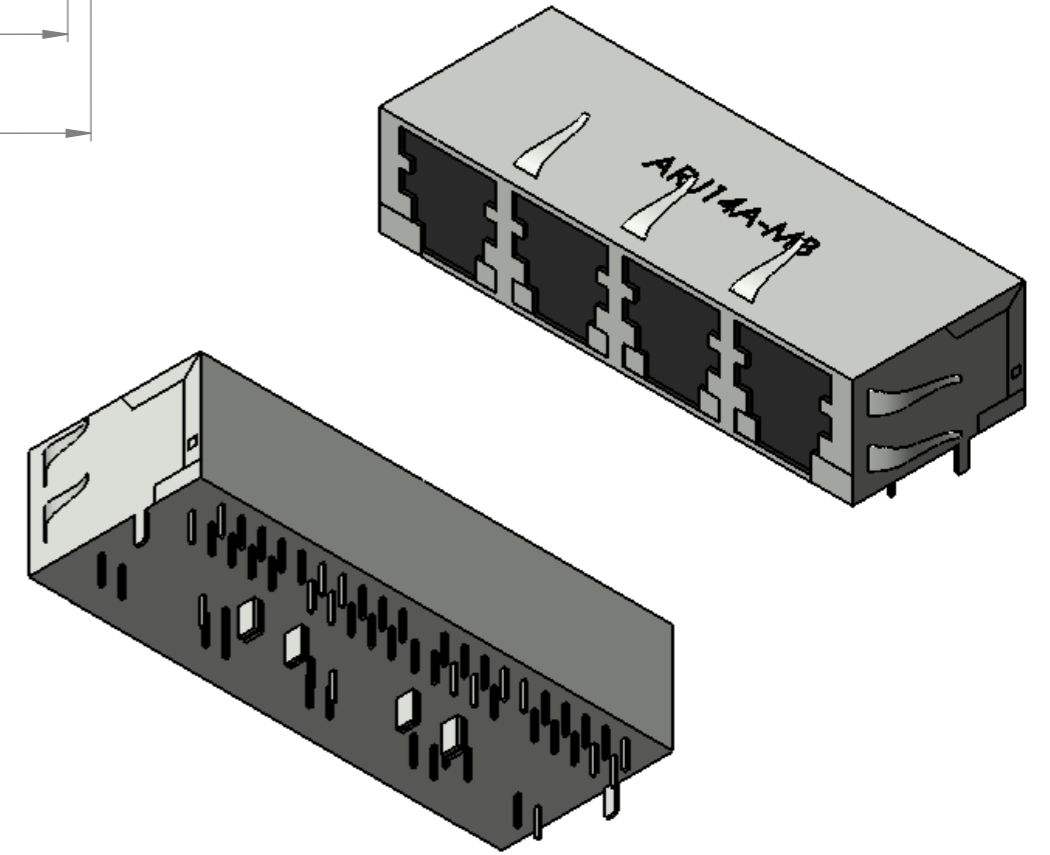
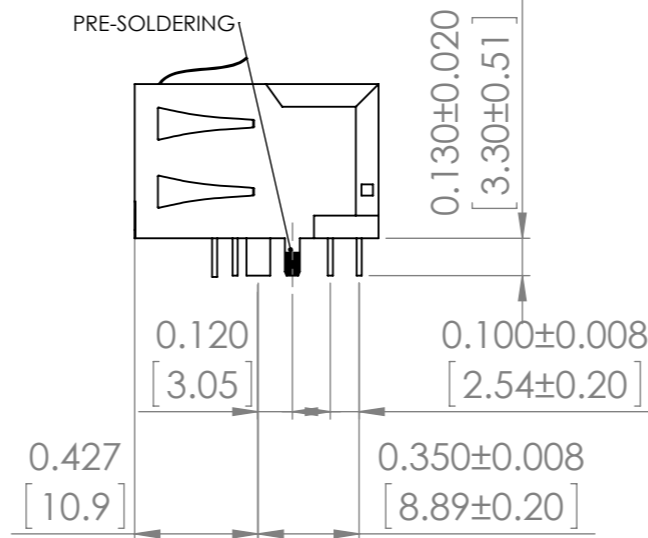
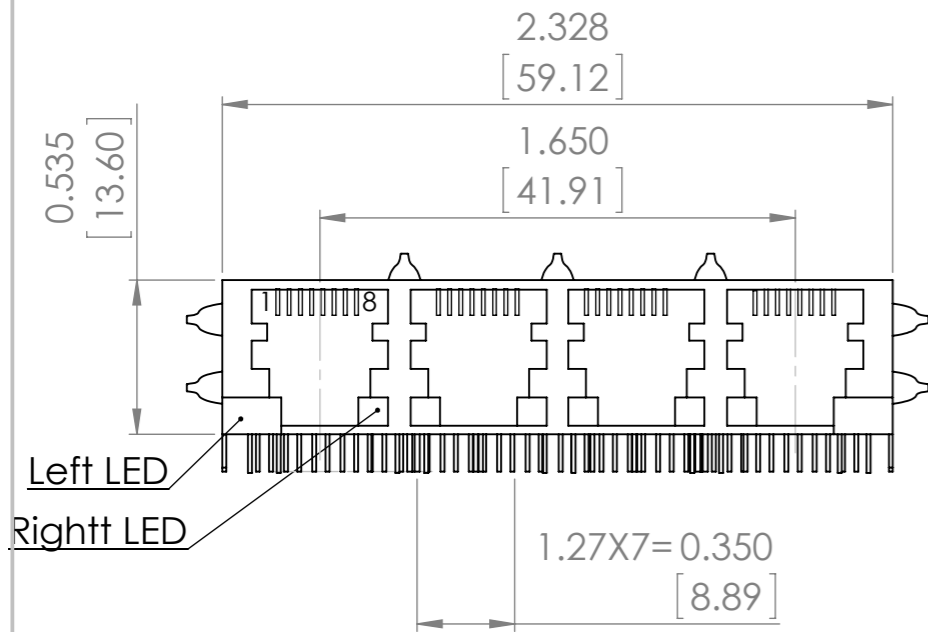
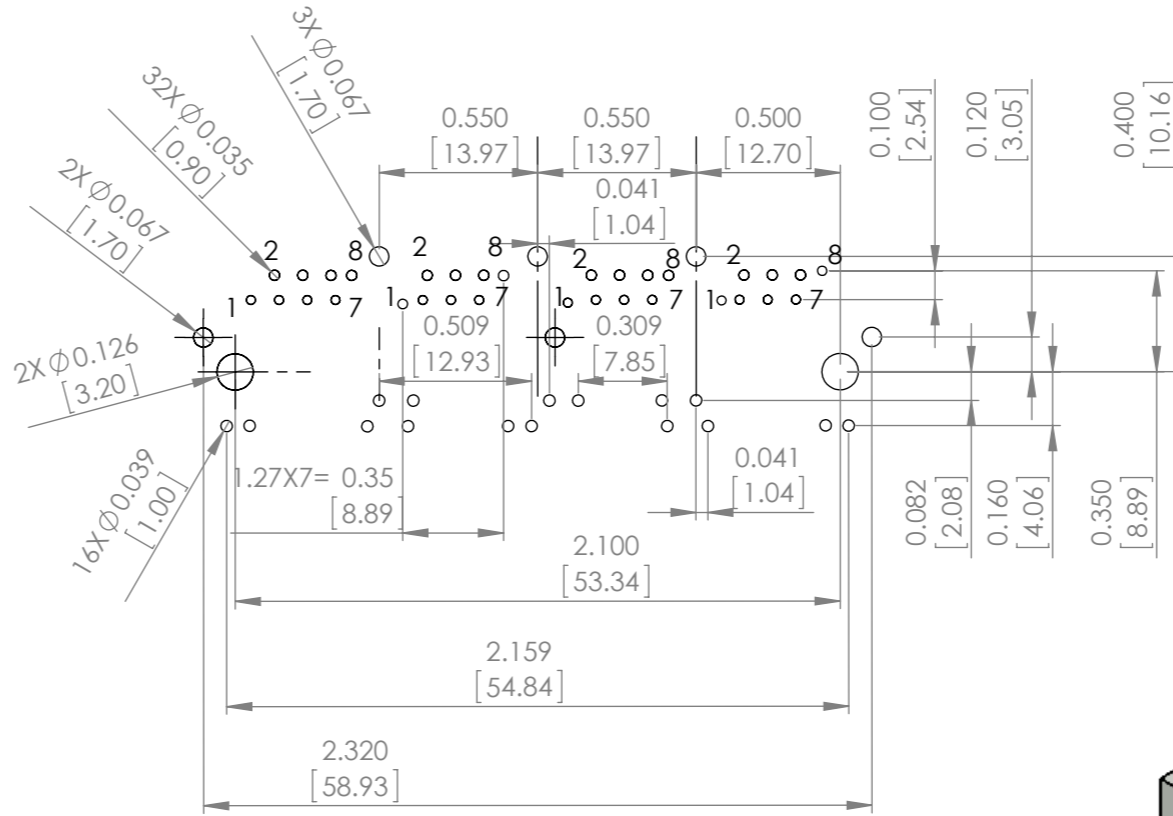
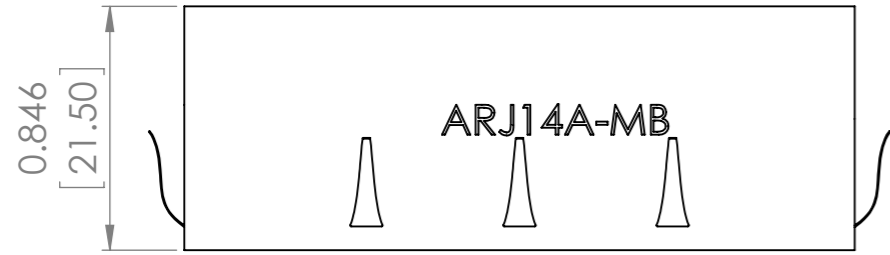



MB (10/100 Base-T) (3 EMI Fingers)



UNLESS OTHERWISE SPECIFIED: DIMENSIONS ARE IN MM SURFACE FINISH: TOLERANCES: LINEAR: ANGULAR:				FINISH:		DEBUR AND BREAK SHARP EDGES		DO NOT SCALE DRAWING		REVISION -	
DRAWN SAAZVAT				SIGNATURE		DATE		 <p>30332 Esperanza, Rancho Santa margarita, California 92688</p> <p>TITLE: RJ45</p> <p>DWG NO. ARJ14A-MB</p> <p>SCALE: 1.5:1</p> <p>SHEET 1 OF 1</p>			
CHK'D XXXXXX											
APPV'D											
MFG											
Q.A											
				MATERIAL:		WEIGHT:		A3			