

# SERIES JS 1200 SWITCHES

## NAVIGATION SWITCHES - MULTI-DIRECTIONAL

TACT SWITCHES

NAVIGATION SWITCHES

PUSHBUTTON SWITCHES

TOGGLE SWITCHES

ROCKER SWITCHES

SLIDE SWITCHES

SNAP-ACTION SWITCHES

DIP SWITCHES

KEYLOCK SWITCHES

ROTARY SWITCHES

DETECTOR SWITCHES

CAP OPTIONS



### SPECIFICATIONS

Contact Rating:	20mA @ 12 VDC
Life Expectancy:	200,000 actuations in any direction (X, Y, or Z)
Contact Resistance:	500mΩ
Insulation Resistance:	100MΩ
Dielectric Strength:	100 VAC
Operating Temperature:	-25°C to 70°C
Travel:	Push: 0.15 ± 0.01mm Tilt: .20 ± 0.01, (3.5+5/-1°)

### MATERIALS

Actuator:	Plastic
Base:	Nylon
Cover:	Metal
Terminals:	Copper alloy, plated

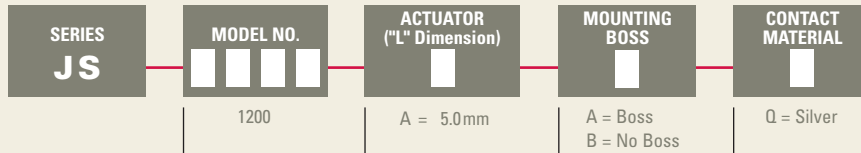
### FEATURES & BENEFITS

- ▶ 5-position joystick switch
- ▶ Available with or without mounting bosses
- ▶ Designed for SMT applications that require navigation

### APPLICATIONS/MARKETS

- ▶ Consumer electronics where user interface is needed
- ▶ Handheld instrumentation
- ▶ Navigation
- ▶ Telecommunication

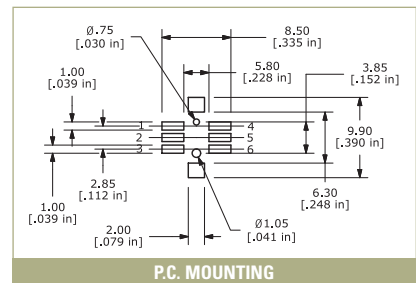
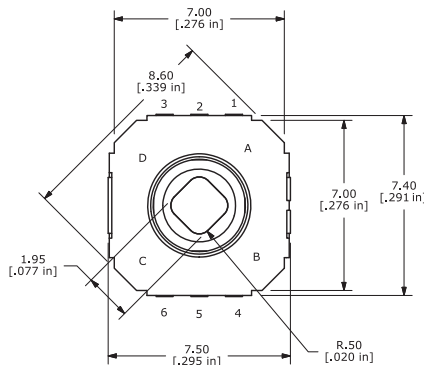
### HOW TO ORDER



▶ ▶ ▶ Example Ordering Number  
JS-1200-A-A-Q

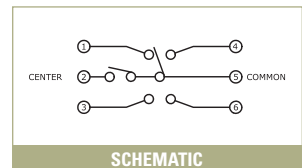
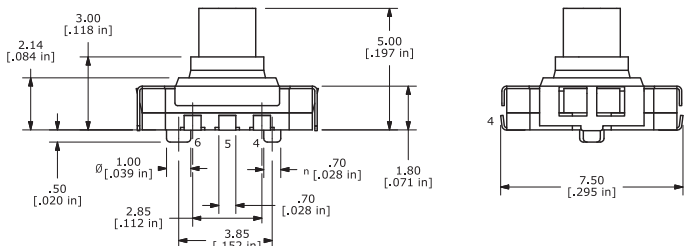
Specifications subject to change without notice.

## JS 1200



P.C. MOUNTING

Operating Position	Circuit
A	5 = 1
B	5 = 4
C	5 = 6
D	5 = 3
Center Push	5 = 2



SCHEMATIC