

Circuit Breaker for Equipment thermal, Rotary knob actuation, 2 pole



Approvals and Compliances

Weblinks

[pdf datasheet](#), [html-datasheet](#), [General Product Information](#), [Distributor-Stock-Check](#), [Detailed request for product](#), [Product News](#)

Approvals and Compliances



Detailed information on product approvals, code requirements, usage instructions and detailed test conditions can be looked up in [Details about Approvals](#)

Detailed information on product approvals, code requirements, usage instructions and detailed test conditions can be looked up in [Details about Approvals](#)

Approvals


The approval mark is used by the testing authorities to certify compliance with the safety requirements placed on electronic products.

Approval Reference Type:

Approval Logo	Certificates	Certification Body	Description
	VDE Approvals	VDE	VDE Certificate Number:
	UL Approvals	UL	UL File Number:




Application standards

Application standards where the product can be used

Organization	Design	Standard	Description
	Designed for applications acc.	IEC/UL 60950	IEC 60950-1 includes the basic requirements for the safety of information technology equipment.

Compliances

The product complies with following Guide Lines

Identification	Details	Initiator	Description
	RoHS	SCHURTER AG	EU Directive RoHS 2011/65/EU
	China RoHS	SCHURTER AG	The law SJ / T 11363-2006 (China RoHS) has been in force since 1 March 2007. It is similar to the EU directive RoHS.
	REACH	SCHURTER AG	On 1 June 2007, Regulation (EC) No 1907/2006 on the Registration, Evaluation, Authorization and Restriction of Chemicals 1 (abbreviated as "REACH") entered into force.

circuit breakers

Thermal Circuit Breaker, rotary knob actuation, 1-, 2- or 3-pole

NEW



2-pole standard version



3-pole type without front bezel/knob



standard front bezel/knob



Description

- Thermal circuit breaker 1-, 2- or 3-pole
- Supplementary protector for general industrial use
- Positively trip-free release
- Bezel/knob snap-on
- Easy actuation with gloves
- Available without bezel/knob for customized front panel design

Applications

- Floor cleaning equipment
- Power tools
- Wood and stone working machines
- Equipment for building construction
- Industrial equipment

Standards

- IEC 60934
- UL 1077
- CSA C22.2 235
- GB 17701

Weblinks

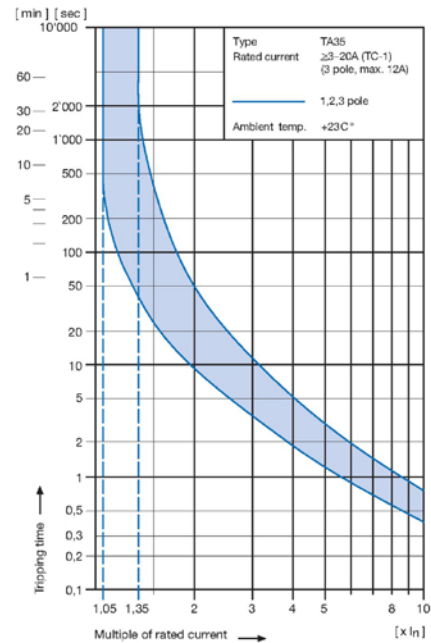
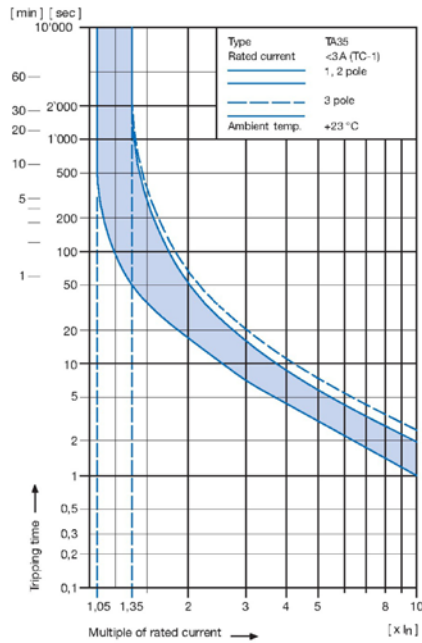
Approvals: <http://www.schurter.com/approvals>
 RoHS: <http://www.schurter.com/rohs>

Technical Data

Rated voltage U_e	1-pole	AC 240 V / 50/60 Hz DC 32 V
	2-pole	AC 240 V / 50/60 Hz DC 60 V
	3-pole	AC 415 Y/240 V / 50/60 Hz
Rated current I_n	1- / 2-pole	0.05 – 20 A
	3-pole	0.05 – 12 A
Conditional short circuit I_{sc}	1- / 2-pole, AC 240 V	0.05...20 A: 2000 A, SC (C1)
	3-pole, AC 415 V	0.05...12 A: 2000 A
Degree of protection	Accessible range	IP 40
	Terminal side	IP 00
Dielectric strength	50 Hz	> 2500 V
	Impulse 1.2/50 μ s	> 4000 V
Insulation resistance	DC 500 V	> 100 MOhm
Endurance (typical)	Mechanical	50'000 cycles
	AC: $1 \times I_n$, cos phi 0.6	50'000 cycles
	DC: $1 \times I_n$, L/R = 2...3ms	50'000 cycles

Overload	IEC 60934	min. 40 cycles @ $6 \times I_n$, cos phi 0.6
	UL 1077	min. 50 cycles @ $1.5 \times I_n$, cos phi 0.75 (OL \emptyset)
Admissible ambient air temperature		-30 °C to +60 °C
Resistance to vibration	IEC 60068-2-6, Test Tc	10...60 Hz: ± 0.75 mm
		60...500 Hz: 10 G
Shock resistance	IEC 60068-2-27, Test Ea	30 G / 18 ms
Type of tripping		Thermal positively trip free
Weight	1-pole	45 g
	2-pole	60 g
	3-pole	75 g
Max. switching capacity for switch only types (without bimetal)	1-, 2-pole	20 A
	3-pole	12 A

Tripping Characteristics



The above tripping characteristics apply to symmetrical overloads on all poles on the TA35 only.

At asymmetric overloads on multi-pole types, the tripping characteristic will change.

- If a 2-pole type TA35 is loaded at one pole only, the tripping current will be shifted by factor **1.05** (TC-2).
- If a 3-pole type TA35 is loaded at one pole only, the tripping current will be shifted by factor **1.10** (TC-2).

To meet the above tripping characteristic at asymmetric overloads on multi-pole types, the value of the rated current of the CBE has to be multiplied by the factor mentioned above.

Effect of ambient temperature

The unit is calibrated for an ambient temperature of +23 °C. To determine the rated current for lower or higher ambient temperature, use a correction factor from the table below.

Ambient temperature [°C]	Correction factor		
	1-pole	2-pole	3-pole
-30	0.77	0.76	0.76
-20	0.81	0.81	0.81
0	0.90	0.90	0.90
+23	1.00	1.00	1.00
+40	1.03	1.03	1.06
+50	1.04	1.04	1.10
+60	1.06	1.06	1.14

Example for 2-pole type:

Rated current at +23 °C 5.0 A
 Ambient temperature +50 °C
 Correction factor 1.04
 Chosen rated current at +40 °C
 ambient temperature: **5 A x 1.04 = 5.2 A**




circuit breakers

Standard rated currents and typical internal resistance

Code	In [A]	Ri [Ω]
Z05	0.05	200.0
J01	0.1	70.0
J05	0.5	2.750
J10	1.0	0.720
J15	1.5	0.340
J20	2.0	0.187
J25	2.5	0.115
J28	2.8	0.089
030	3.0	0.059
040	4.0	0.059
050	5.0	0.044
060	6.0	0.028
070	7.0	0.0142
080	8.0	0.0142
100	10.0	0.0109
120	12.0	0.0086
140	14.0	0.0072
150	15.0	0.0056
160	16.0	0.0056
180	18.0	0.0052
200	20.0	0.0052

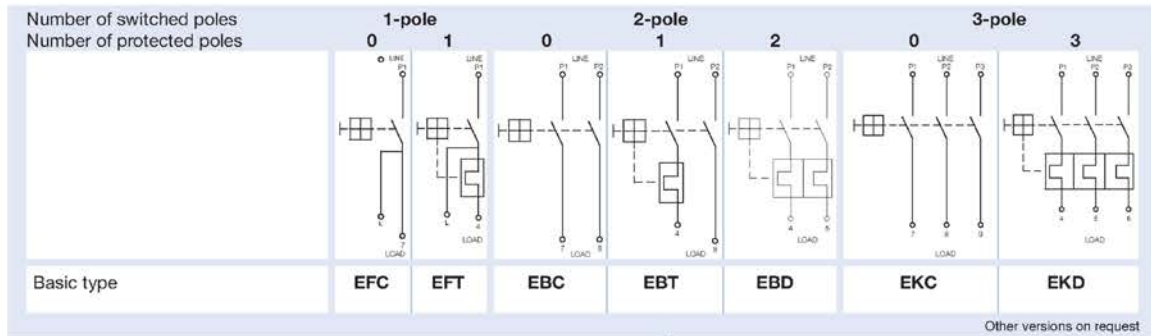
unprotected poles (without bimetal) 2.2 m Ω

Approvals

		# of poles	Rated currents	Rated voltage AC	Rated voltage DC	
	UL	UL 1077	1	0.05...20 A	240 V	32 V
			2	0.05...20 A	240 V	60 V
			3	0.05...12 A	415 Y/240 V	—
	UL	CSA C22.2 235	1	0.05...20 A	240 V	32 V
			2	0.05...20 A	240 V	60 V
			3	0.05...12 A	415 Y/240 V	—
	VDE	IEC 60934	1	0.05...20 A	240 V	32 V
			2	0.05...20 A	240 V	60 V
			3	0.05...12 A	415 Y/240 V	—
	CQC	GB 17701	1	0.05...20 A	240 V	32 V
			2	0.05...20 A	240 V	60 V
			3	0.05...12 A	415 Y/240 V	—

Actual information about approvals can be found on: www.schurter.com/approvals.

Order Code



TA35- EBT T F 120 C0

Frontbezel and actuation knob

	Bezel	Knob
T	black	black
N	without bezel	without knob

Bezel marking

	Surface	Symbol
F	relief recessed	I 0
N	no marking	no marking

Without thermal overload protection: code C00
 With thermal overload protection: rated current I_n (A)

I_n	Code	I_n	Code	I_n	Code	I_n	Code
0.05	Z05	1.0	J10	4.0	040	14.0	140 *
0.1	J01	1.2	J12	5.0	050	15.0	150 *
0.2	J02	1.5	J15	6.0	060	16.0	160 *
0.3	J03	2.0	J20	7.0	070	18.0	180 *
0.4	J04	2.5	J25	8.0	080	20.0	200 *
0.5	J05	3.0	030	10.0	100		
0.8	J08	3.5	035	12.0	120		

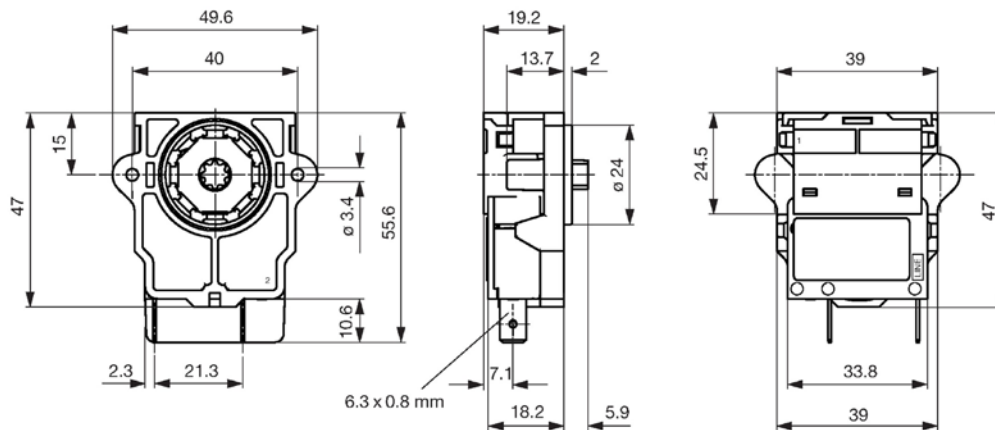
Other rated currents on request.

* 3-pole max. 12A

circuit breakers

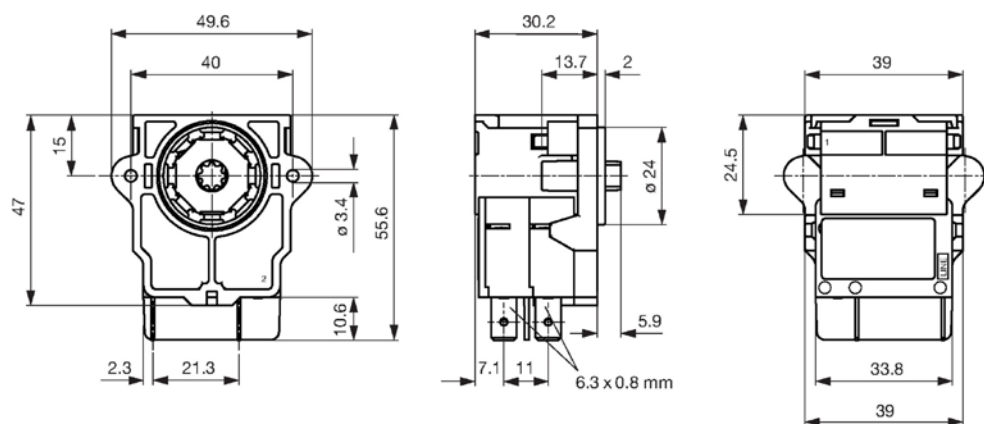
Dimensions

TA35 1-pole



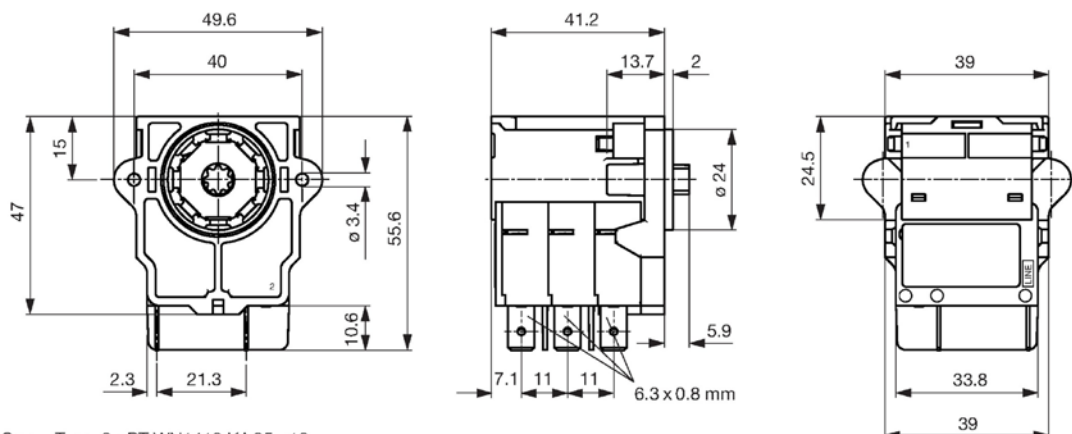
Screw Type: 2 x PT WN1413 KA35 x12

TA35 2-pole



Screw Type: 2 x PT WN1413 KA35 x12

TA35 3-pole

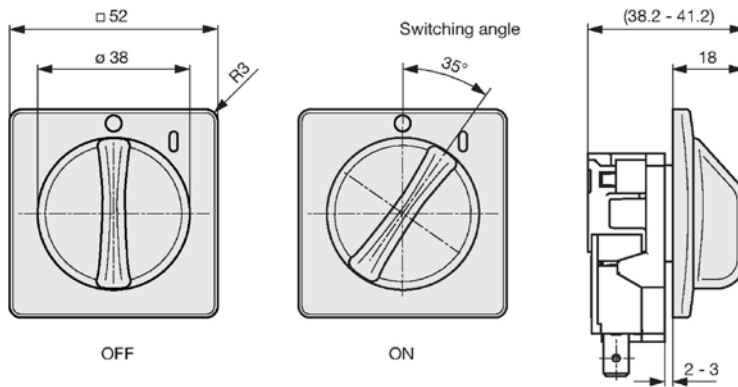


Screw Type: 2 x PT WN1413 KA35 x12

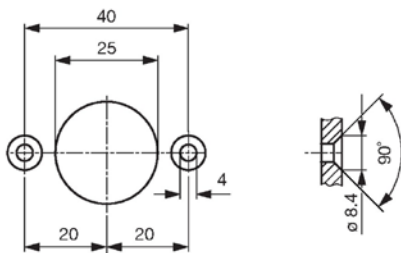
TA35

www.schurter.com/pg17_18_19

Front bezel/knob



Cut-out



Mounting instructions



Customer specific bezels/actuator designs possible

circuit breakers

Thermal Circuit Breaker, rotary knob actuation, 1-, 2- or 3-pole

NEW



2-pole standard version



3-pole type without front bezel/knob



standard front bezel/knob



Description

- Thermal circuit breaker 1-, 2- or 3-pole
- Supplementary protector for general industrial use
- Positively trip-free release
- Bezel/knob snap-on
- Easy actuation with gloves
- Available without bezel/knob for customized front panel design

Applications

- Floor cleaning equipment
- Power tools
- Wood and stone working machines
- Equipment for building construction
- Industrial equipment

Standards

- IEC 60934
- UL 1077
- CSA C22.2 235
- GB 17701

Weblinks

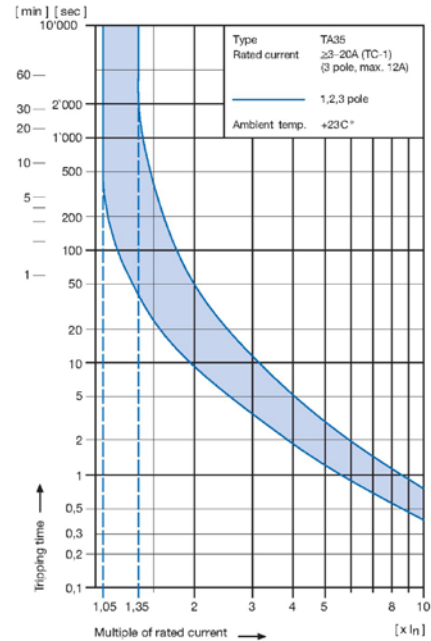
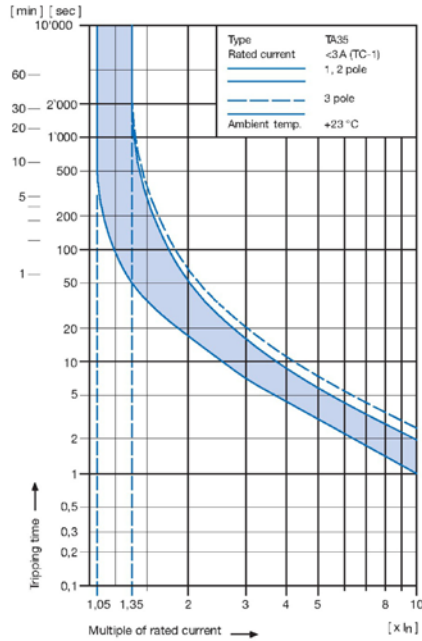
Approvals: <http://www.schurter.com/approvals>
 RoHS: <http://www.schurter.com/rohs>

Technical Data

Rated voltage U_e	1-pole	AC 240 V / 50/60 Hz DC 32 V
	2-pole	AC 240 V / 50/60 Hz DC 60 V
	3-pole	AC 415 Y/240 V / 50/60 Hz
Rated current I_n	1- / 2-pole	0.05 – 20 A
	3-pole	0.05 – 12 A
Conditional short circuit I_{sc}	1- / 2-pole, AC 240 V	0.05...20 A: 2000 A, SC (C1)
	3-pole, AC 415 V	0.05...12 A: 2000 A
Degree of protection	Accessible range	IP 40
	Terminal side	IP 00
Dielectric strength	50 Hz	> 2500 V
	Impulse 1.2/50 μ s	> 4000 V
Insulation resistance	DC 500 V	> 100 MOhm
Endurance (typical)	Mechanical	50'000 cycles
	AC: $1 \times I_n$, cos phi 0.6	50'000 cycles
	DC: $1 \times I_n$, L/R = 2...3ms	50'000 cycles

Overload	IEC 60934	min. 40 cycles @ $6 \times I_n$, cos phi 0.6
	UL 1077	min. 50 cycles @ $1.5 \times I_n$, cos phi 0.75 (OL \emptyset)
Admissible ambient air temperature		-30 °C to +60 °C
Resistance to vibration	IEC 60068-2-6, Test Tc	10...60 Hz: ± 0.75 mm
		60...500 Hz: 10 G
Shock resistance	IEC 60068-2-27, Test Ea	30 G / 18 ms
Type of tripping		Thermal positively trip free
Weight	1-pole	45 g
	2-pole	60 g
	3-pole	75 g
Max. switching capacity for switch only types (without bimetal)	1-, 2-pole	20 A
	3-pole	12 A

Tripping Characteristics



The above tripping characteristics apply to symmetrical overloads on all poles on the TA35 only.

At asymmetric overloads on multi-pole types, the tripping characteristic will change.

- If a 2-pole type TA35 is loaded at one pole only, the tripping current will be shifted by factor **1.05** (TC-2).
- If a 3-pole type TA35 is loaded at one pole only, the tripping current will be shifted by factor **1.10** (TC-2).

To meet the above tripping characteristic at asymmetric overloads on multi-pole types, the value of the rated current of the CBE has to be multiplied by the factor mentioned above.

Effect of ambient temperature

The unit is calibrated for an ambient temperature of +23 °C. To determine the rated current for lower or higher ambient temperature, use a correction factor from the table below.

Ambient temperature [°C]	Correction factor		
	1-pole	2-pole	3-pole
-30	0.77	0.76	0.76
-20	0.81	0.81	0.81
0	0.90	0.90	0.90
+23	1.00	1.00	1.00
+40	1.03	1.03	1.06
+50	1.04	1.04	1.10
+60	1.06	1.06	1.14

Example for 2-pole type:

Rated current at +23 °C 5.0 A
 Ambient temperature +50 °C
 Correction factor 1.04
 Chosen rated current at +40 °C
 ambient temperature: **5 A x 1.04 = 5.2 A**




circuit breakers

Standard rated currents and typical internal resistance

Code	In [A]	Ri [Ω]
Z05	0.05	200.0
J01	0.1	70.0
J05	0.5	2.750
J10	1.0	0.720
J15	1.5	0.340
J20	2.0	0.187
J25	2.5	0.115
J28	2.8	0.089
030	3.0	0.059
040	4.0	0.059
050	5.0	0.044
060	6.0	0.028
070	7.0	0.0142
080	8.0	0.0142
100	10.0	0.0109
120	12.0	0.0086
140	14.0	0.0072
150	15.0	0.0056
160	16.0	0.0056
180	18.0	0.0052
200	20.0	0.0052

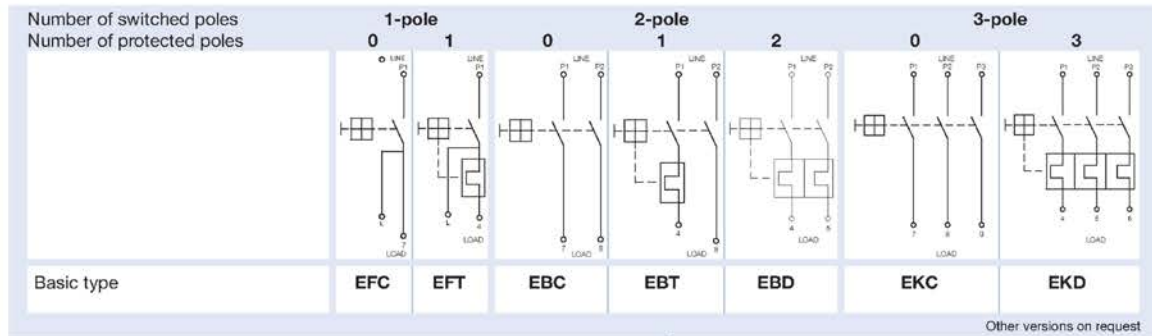
unprotected poles (without bimetal) 2.2 mΩ

Approvals

		# of poles	Rated currents	Rated voltage AC	Rated voltage DC	
	UL	UL 1077	1	0.05...20 A	240 V	32 V
			2	0.05...20 A	240 V	60 V
			3	0.05...12 A	415 Y/240 V	—
	UL	CSA C22.2 235	1	0.05...20 A	240 V	32 V
			2	0.05...20 A	240 V	60 V
			3	0.05...12 A	415 Y/240 V	—
	VDE	IEC 60934	1	0.05...20 A	240 V	32 V
			2	0.05...20 A	240 V	60 V
			3	0.05...12 A	415 Y/240 V	—
	CQC	GB 17701	1	0.05...20 A	240 V	32 V
			2	0.05...20 A	240 V	60 V
			3	0.05...12 A	415 Y/240 V	—

Actual information about approvals can be found on: www.schurter.com/approvals.

Order Code



TA35- EBT T F 120 C0

No other features

Frontbezel and actuation knob

	Bezel	Knob
T	black	black
N	without bezel	without knob

Bezel marking

	Surface	Symbol
F	relief recessed	I 0
N	no marking	no marking

Without thermal overload protection: code C00
 With thermal overload protection: rated current I_n (A)

I_n	Code	I_n	Code	I_n	Code	I_n	Code
0.05	Z05	1.0	J10	4.0	040	14.0	140 *
0.1	J01	1.2	J12	5.0	050	15.0	150 *
0.2	J02	1.5	J15	6.0	060	16.0	160 *
0.3	J03	2.0	J20	7.0	070	18.0	180 *
0.4	J04	2.5	J25	8.0	080	20.0	200 *
0.5	J05	3.0	030	10.0	100		
0.8	J08	3.5	035	12.0	120		

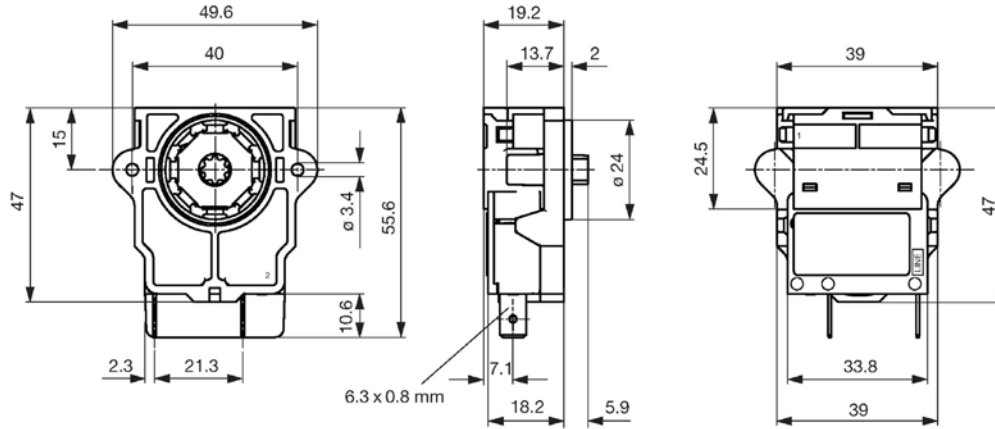
Other rated currents on request.

* 3-pole max. 12A

circuit breakers

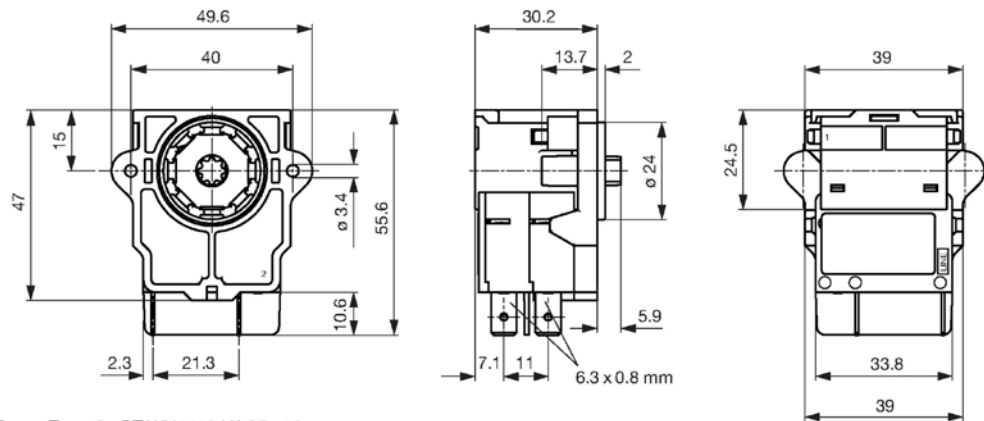
Dimensions

TA35 1-pole



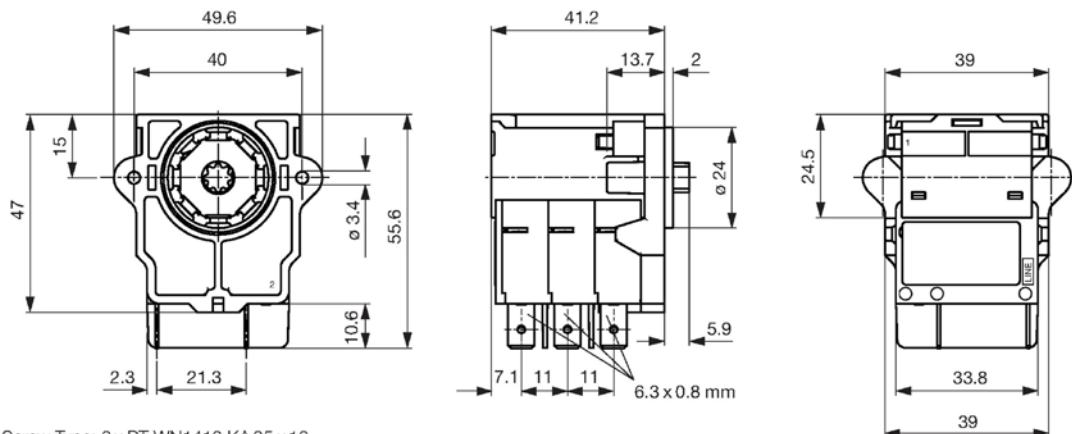
Screw Type: 2 x PT WN1413 KA35 x12

TA35 2-pole



Screw Type: 2 x PT WN1413 KA35 x12

TA35 3-pole

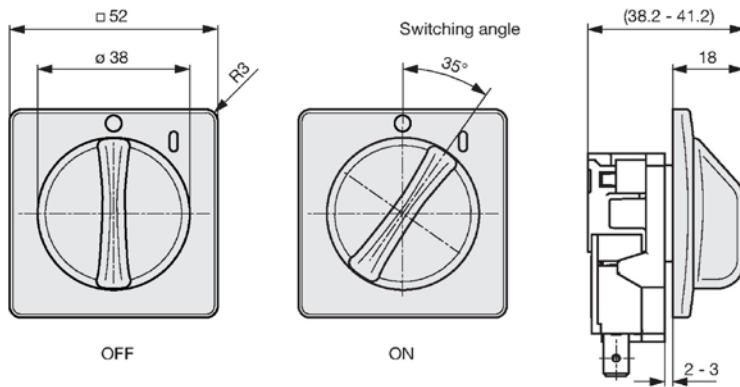


Screw Type: 2 x PT WN1413 KA35 x12

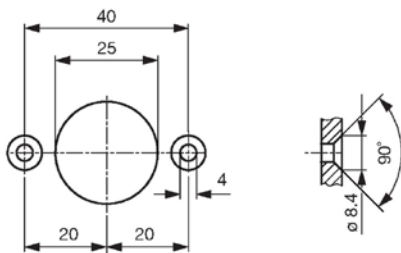
TA35

www.schurter.com/pg17_18_19

Front bezel/knob



Cut-out



Mounting instructions



Customer specific bezels/actuator designs possible