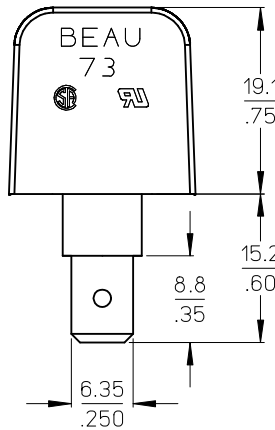
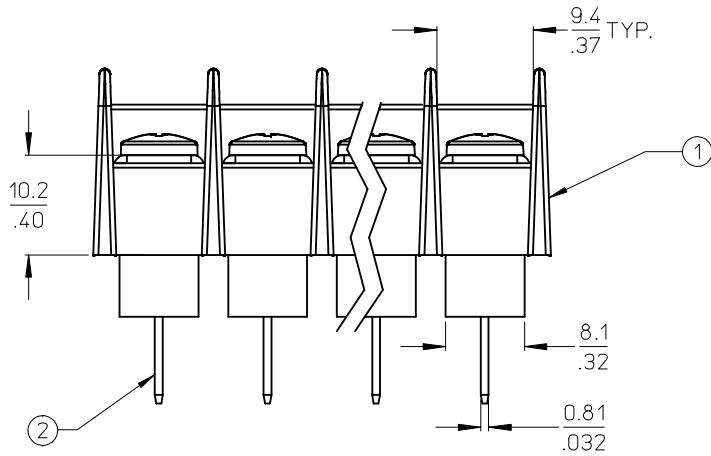
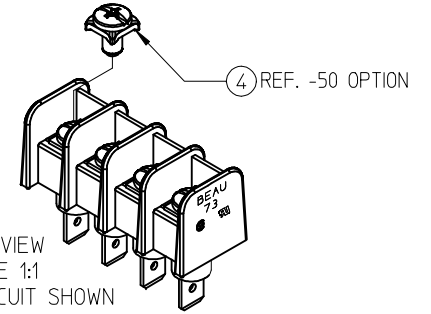
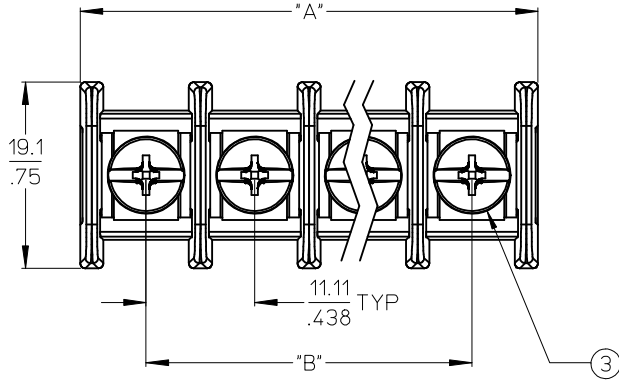


NO. OF CIRC. "XX"	DIM. "A"		DIM. "B"		ASSEMBLY MAT. NO. (STD)	ASSEMBLY MAT. NO. (-50)
02	24.5	0.97	11.11	0.438	387351102	387351502
04	46.8	1.84	33.34	1.313	387351104	387351504
07	80.1	3.15	66.68	2.625	387351107	387351507
10	113.4	4.47	100.01	3.938	387351110	387351510
19	213.5	8.40	200.03	7.875	387351119	387351519



NOTES:

1. MATERIAL: SEE TABLE.
2. FINISHES: SEE TABLE.
3. "XX" REFERS TO THE QUANTITY OF CIRCUITS.
4. ROHS COMPLIANT.

ITEM	QTY.	DESCRIPTION	MATERIAL	FINISH
4	XX	SCREW AND WASHER, #6-32, PAN PHSL(-50 OPT)	STEEL	ZN, CLEAR CHROMATE
3	XX	SCREW, #6-32, BIND. HEAD, PHSL (STD OPT)	STEEL	ZN, CLEAR CHROMATE
2	XX	TERMINAL, FAST TAB	BRASS	TIN PLATE
1	1	CS INSULATOR, SINGLE ROW	POLYESTER (PBT)	BLACK

INITIAL RELEASE  
EC NO: WNA2009-0426  
DRAWN: JENCINAS 2009/02/06  
CHKD: CYORK 2009/02/10  
APPR: JMACNEIL 2009/02/10

QUALITY SYMBOLS  
▽=0  
▽/▽=0

	GENERAL TOLERANCES (UNLESS SPECIFIED)	
	mm	INCH
4 PLACES	± ---	± ---
3 PLACES	± ---	± .005
2 PLACES	± 0.13	± .01
1 PLACE	± 0.3	± ---
ANGULAR ± 2 °		

DRAFT WHERE APPLICABLE  
MUST REMAIN WITHIN DIMENSIONS

DIMENSION STYLE  
MM/IN

DRAWN BY JENCINAS DATE 2009/01/20  
CHECKED BY CYORK DATE 2009/01/22  
APPROVED BY JMACNEIL DATE 2009/01/23

MATERIAL NO. SEE CHART

SCALE 2:1  
DESIGN UNITS INCH  
THIRD ANGLE PROJECTION

TITLE  
11.11MM [.438] SR BTS,  
CS FAST TAB ASY  
NO MTG. ENDS

MOLEX INCORPORATED  
DOCUMENT NO. SD-38735-006  
SHEET NO. 1 OF 1

THIS DRAWING CONTAINS INFORMATION THAT IS PROPRIETARY TO MOLEX INCORPORATED AND SHOULD NOT BE USED WITHOUT WRITTEN PERMISSION