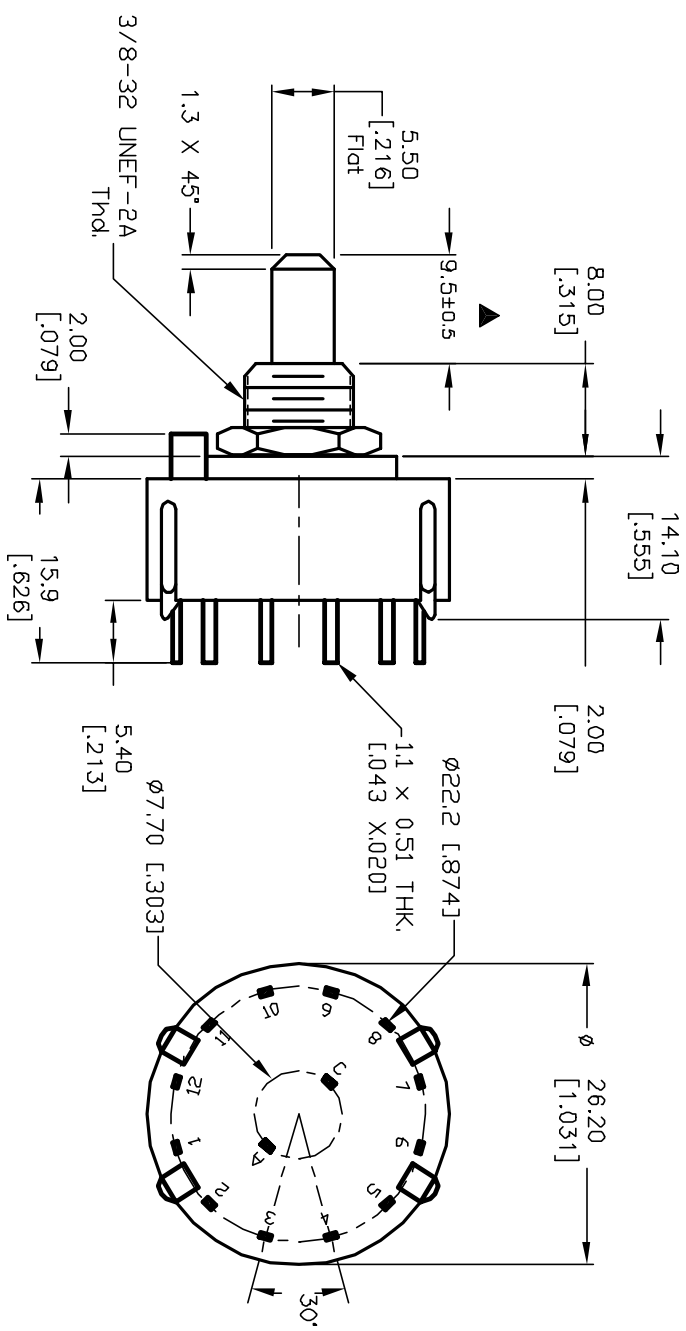
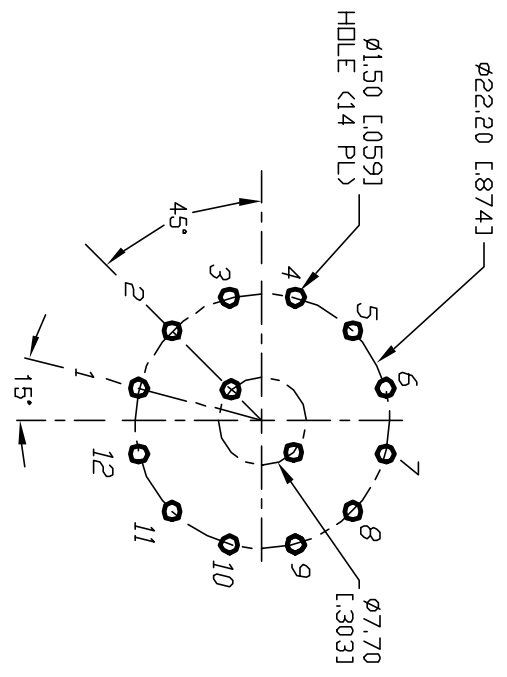
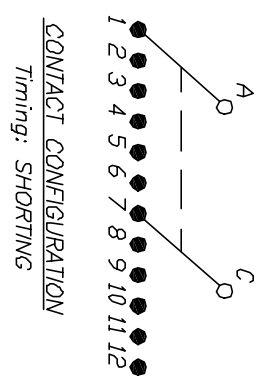
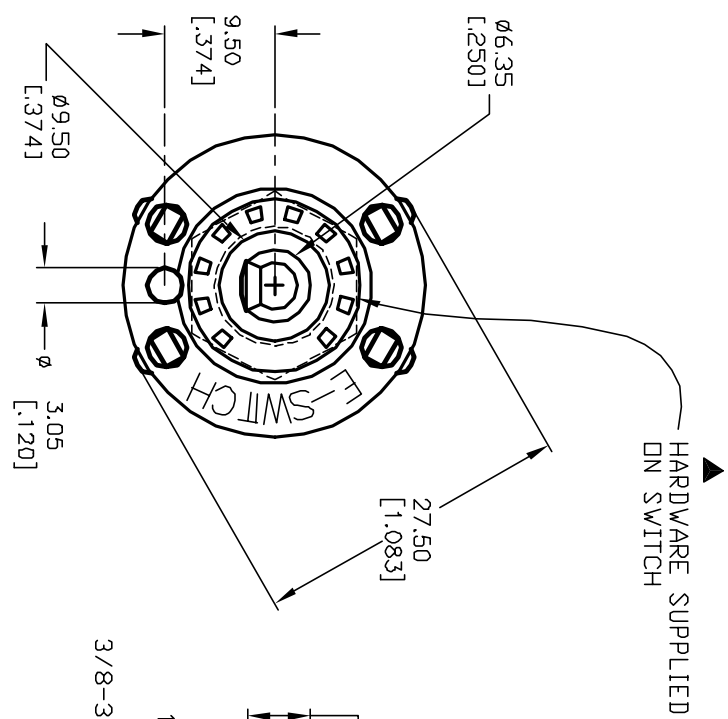


- NOTES:
1. ALL DIMENSION IN MM [INCH]
 2. GENERAL TOLERANCE: X.X=±0.4
X.XX=±0.25
 3. TERM. NOS. FOR REF. ONLY
 4. CONTACT RATING SWITCHING: 150mA, 250V AC/DC
350mA, 110V AC/DC
 5. CONTACT RATING (NON-SWITCHING) 5A
 6. OPERATING FORCE: 425±100 CM/STANDARD
 7. OPERATING TEMP: -30° to 85°C
 8. CIRCUIT DP: 6 POSITIONS, 30° INDEX.
 9. DIELECTRIC STRENGTH 1000V RMS min. @ SEA LEVEL
 10. DESIGNATE MAJOR DIMENSIONS
 11. HARDWARE SUPPLIED ON SWITCH - SEE BELOW
STOPRING, LOCKWASHER, & HEXNUT



E-SWITCH®

B	12821	REVISED NOTE 11	3/6/03	CJB	TITLE	SCALE	DATE	DR	DWG	REV
A	11276	RELEASED FOR PRODUCTION	3/5/01	CJB	KC-26-A (9.5mm)-01-S-P-S	1.5:1	3/5/01	CJB	G523760	B
REV.	ECN No.	DESCRIPTION	DATE	CHKD						

THE INFORMATION CONTAINED IN THIS DOCUMENT IS PROPRIETARY TO E-SWITCH AND IS NOT TO BE COPIED OR TRANSFERRED