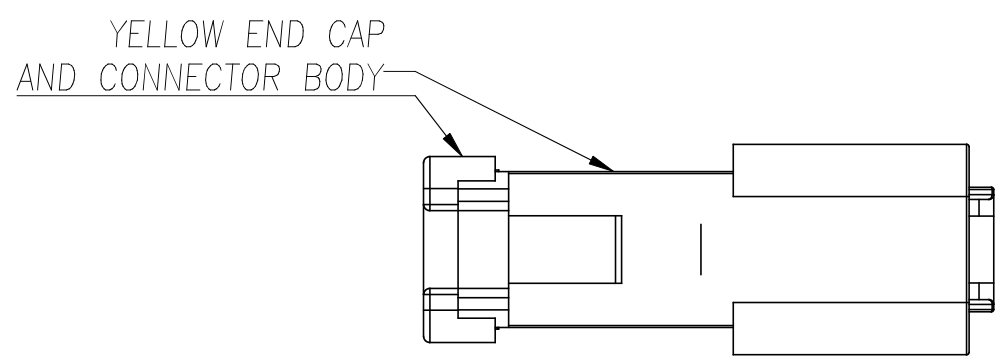
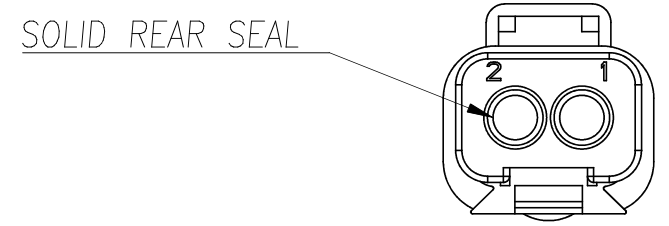
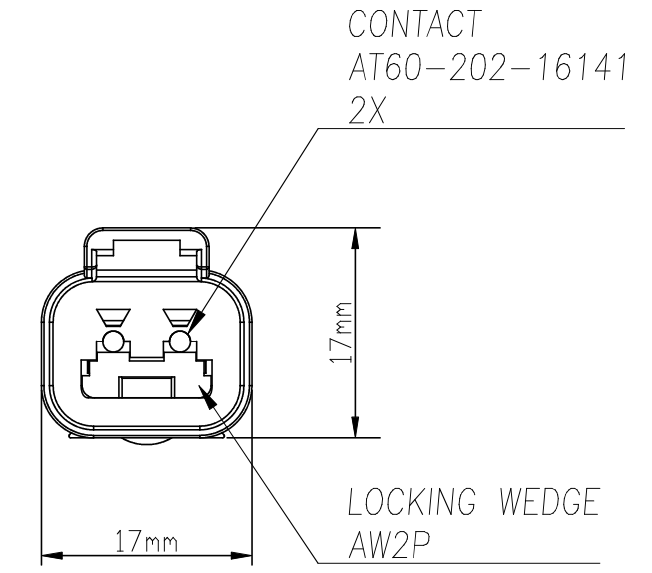
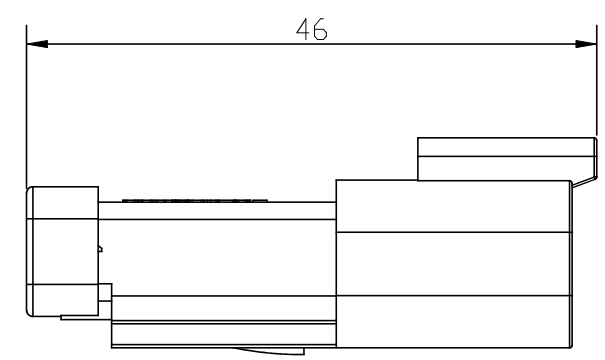
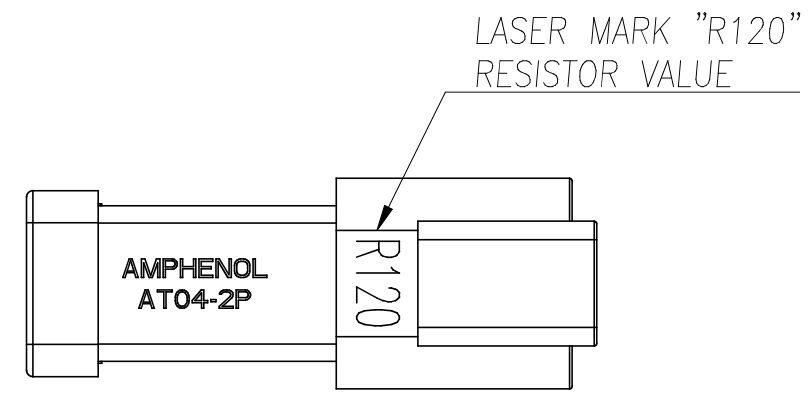


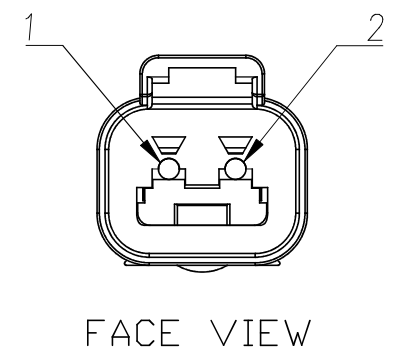
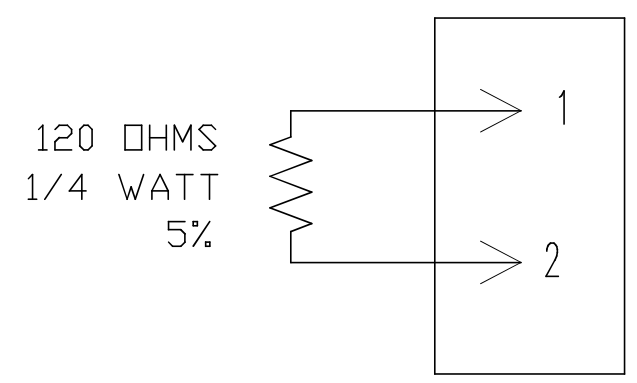
REVISIONS						
REV	ZONE	ECO	DESCRIPTION	DATE	BY	APPR
01	--	--	RELEASE	03MAY12	RFC	RFC
02	--	--	UPDATE DRAWING FORMAT	06NOV13	DRP	DRP

NOTES: UNLESS OTHERWISE SPECIFIED

- 1 DIMENSIONS ARE FOR REFERENCE ONLY.
- 2 PART NUMBER AT04-2P-R120YEL IS FOR A FULLY ASSEMBLED CONNECTOR READY FOR INSTALLATION.
- 3 CONNECTOR BODY & CAP COLOR TO BE YELLOW



WIRING DIAGRAM



CUSTOMER DRAWING

ITEM	PART NUMBER	Qty	DESCRIPTION	REMARK
MATERIALS LIST				
UNLESS OTHERWISE SPECIFIED 1) All dimensions are in metric(mm). 2) Tolerances are as follows: 1 PL DEC ±0.20 2 PL DEC ±0.10 3 PL DEC ±0.05			MATERIAL SPECIFICATIONS:	SINE Systems Corporation A Subsidiary of Amphenol Corporation
Fractions ±1/64 Angles ±1°			PROCESS SPECIFICATIONS: IPC620-A	
SIGNATURE		DATE	THIS DRAWING IS SUPPLIED FOR INFORMATION ONLY. DESIGN FEATURES, SPECIFICATIONS AND PERFORMANCE DATA SHOWN HEREON ARE THE PROPERTY OF THE AMPHENOL CORPORATION. NO RIGHTS OF REPRODUCTION ARE IMPLIED. ALL DIMENSIONS ARE SUBJECT TO NORMAL MANUFACTURING VARIATIONS.	
DRAWN	R. CURRY	03-MAY-12		
CHECKED	R. CURRY	03-MAY-12		
ENGINEER	R. CURRY	03-MAY-12		
APPROVAL	R. CURRY	03-MAY-12		
CUSTOMER	ALL			
			RECEPT, 2 WAY "AT", 120 OHM, YELLOW	
			DWG NO. AT04-2P-R120YEL	
			THIRD ANGLE PROJECTION	
			FSCM NO. SIZE MASS REV. SCALE	
			A3 02 NONE	
			SHEET 1 OF 1	
			NEXT ASSY:	