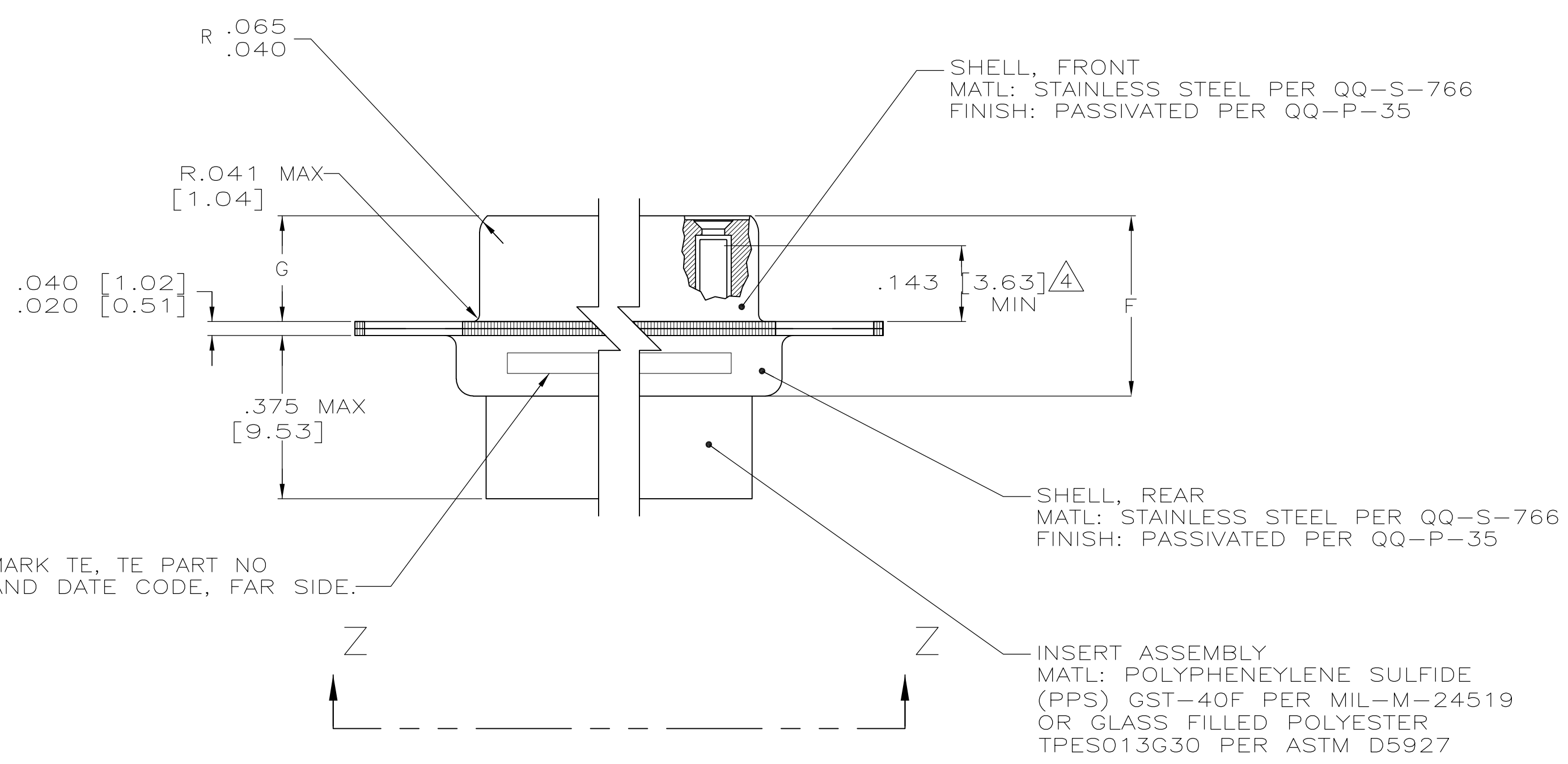
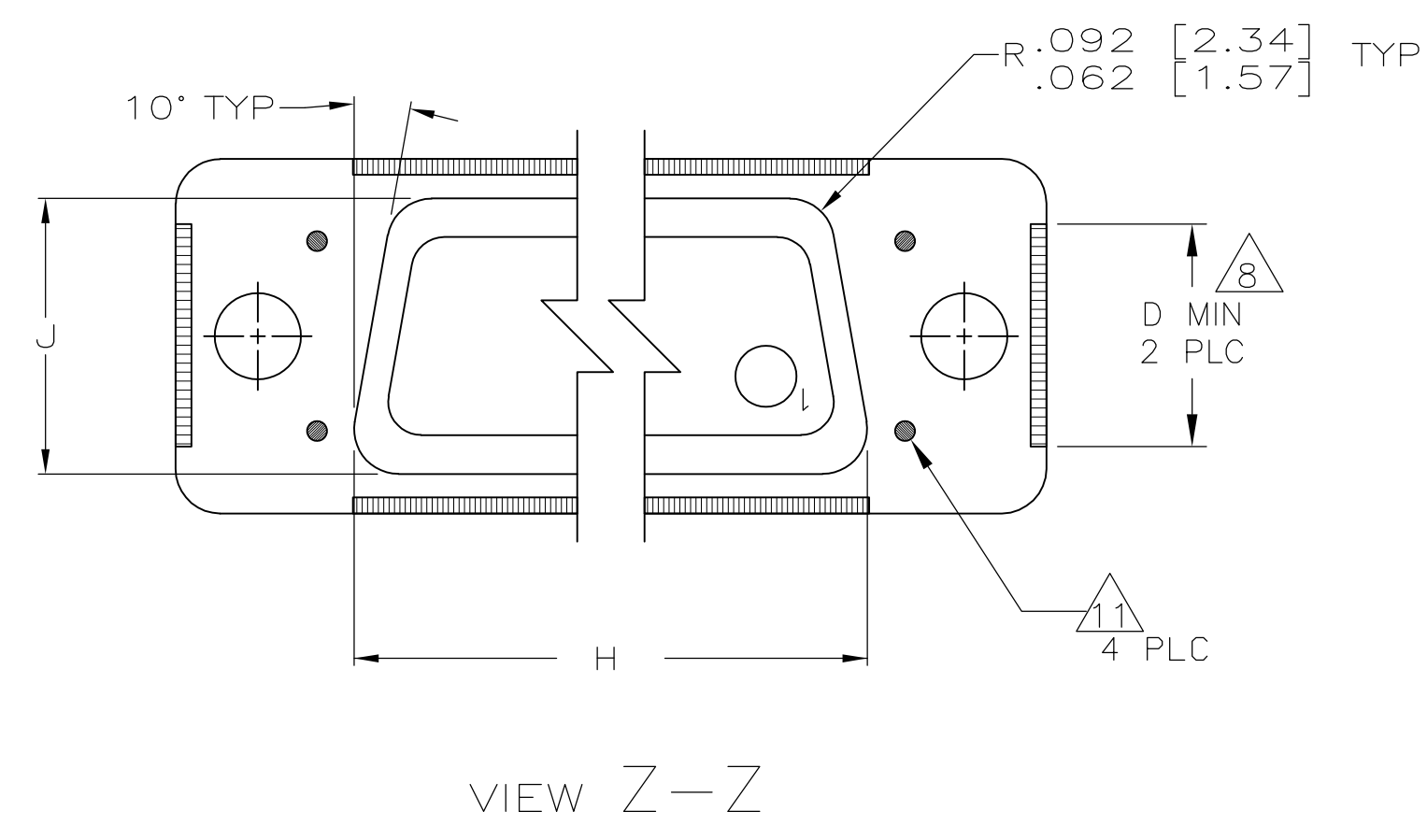
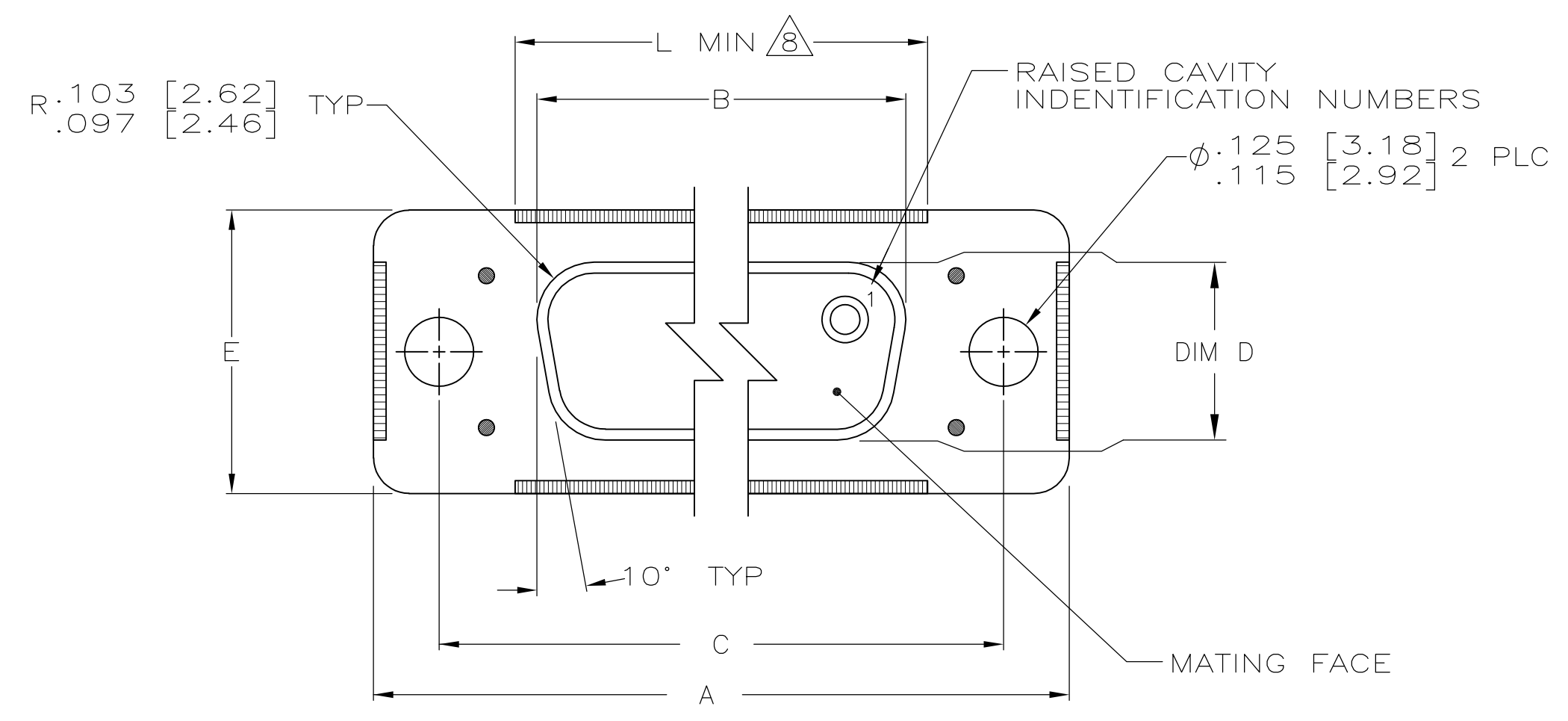


LOC		DIST		REVISIONS			
P	LTR	DESCRIPTION	DATE	DN	APVD		
G	REV PER ECO	14-007635	5-21-14	CT	CD		



- THIS CONNECTOR ASSEMBLY IS SUPPLIED WITH METAL CONTACT RETENTION CLIPS INSTALLED IN THE INSERT ASSEMBLY.
- THE CONNECTORS DESCRIBED IN THIS DOCUMENT MEET THE ELECTRICAL REQUIREMENTS OF MIL-DTL-24308.
- MARK WITH .047 [1.19]-.062 [1.57] HIGH CHARACTERS. FAR SIDE REFERS TO THE WIDE SIDE OF THE KEYSTONE. IF THE REAR SHELL IS TOO SMALL FOR THE ENTIRE MARKING INFORMATION, MARKING SHALL BE LOCATED AS FOLLOWS:
 - "TE" AND DATE CODE ON FRONT SHELL, FAR SIDE.
 - TE PART NUMBER ON REAR SHELL, FAR SIDE.
- POINT OF ELECTRICAL ENGAGEMENT - AS MEASURED WITH A .0295 [0.749]-.0305 [0.775] DIAMETER SQUARE ENDED TEST PIN. CONTACT NOT INCLUDED - SHOWN FOR DIMENSIONAL REFERENCE ONLY.
- THIS CONNECTOR ASSEMBLY IS DESIGNED TO ACCEPT SIZE 22D CRIMP TYPE SOCKET CONTACT MILITARY PART NUMBER M39029/57-354 (TE PART NUMBER 204351-1). FOR ALTERNATE CONTACT OPTIONS CONSULT TE CATALOG.
- MAXIMUM WIRE INSULATION TO BE USED WITH THIS CONNECTOR ASSEMBLY IS .054 [1.37] DIAMETER.
- FOR CONTACT CRIMPING INSTRUCTION SHEET REFER TO TE IS 408-7516. FOR CONTACT INSTALLATION AND REMOVAL INSTRUCTION SHEET REFER TO TE IS 408-7508.
- BEAM WELDED FRONT TO REAR SHELL, AS SHOWN. LOCATION APPROXIMATE.
- DIMENSIONS AND TOLERANCES PER ANSI Y14.5M-1982.
- THIS DRAWING SHALL BE INTERPRETED IN ACCORDANCE WITH APPLICABLE STANDARDS LISTED IN MIL-STD-100.
- SPOT/TACK WELDED FRONT TO REAR SHELL, AS SHOWN. LOCATION APPROXIMATE.

MARK TE, TE PART NO AND DATE CODE, FAR SIDE.

2.064 [52.43]	.544 [13.82] .524 [13.31]	2.188 [55.58] 2.168 [55.07]			.620 [15.75] .590 [14.99]	.428 [10.87] .418 [10.62]	2.411 [61.24] 2.401 [60.99]	2.069 [52.55] 2.059 [52.30]	2.650 [67.31] 2.620 [66.55]	MS18277-2	78	5	593150-5
2.159 [54.84]		2.282 [57.96] 2.262 [57.45]					2.505 [63.63] 2.495 [63.37]	2.164 [54.97] 2.154 [54.71]	2.744 [69.70] 2.714 [68.94]	MS18276-2	62	4	593150-4
1.511 [38.38]	.432 [10.97] .412 [10.46]	1.635 [41.53] 1.615 [41.02]	.248 [6.30] .223 [5.66]	.439 [11.15] .419 [10.64]	.509 [12.93] .479 [12.17]	.316 [8.03] .306 [7.77]	1.857 [47.17] 1.847 [46.91]	1.516 [38.51] 1.506 [38.25]	2.103 [53.42] 2.073 [52.65]	MS18275-2	44	3	593150-3
.971 [24.66]		1.093 [27.76] 1.073 [27.25]					1.317 [33.45] 1.307 [33.20]	.976 [24.79] .966 [24.54]	1.556 [39.52] 1.526 [38.76]	MS18274-2	26	2	593150-2
.643 [16.33]		.769 [19.53] .749 [19.02]					.989 [25.12] .979 [24.87]	.648 [16.46] .638 [16.21]	1.228 [31.19] 1.198 [30.43]	MS18273-2	15	1	593150-1
L	J	H	G	F	E	D	C	B	A	INSERT ARRANGEMENT	NO OF POS	SHELL SIZE	PART NUMBER

THIS DRAWING IS A CONTROLLED DOCUMENT.

DIMENSIONS: INCHES	TOLERANCES UNLESS OTHERWISE SPECIFIED:	DRAWING NO	RESTRICTED TO
0 PLC ± -	1 PLC ± -	3-12-93	
2 PLC ± -	3 PLC ± -	3-12-93	
4 PLC ± -	ANGLES ± -		

MATERIAL: SEE CALLOUTS FINISH: SEE CALLOUTS WEIGHT: --

CUSTOMER DRAWING SCALE: 4:1 SHEET 1 OF 1 REV G

TE Connectivity

AMPLIMITE RECEPTACLE ASSY RUGGED D, W/O SIZE 220 CRIMP TYPE SOCKET CONTACTS, SERIES 90, SHELL SIZES 1 THRU 5

SIZE: A1 CAGE CODE: 00779 DRAWING NO: 593150