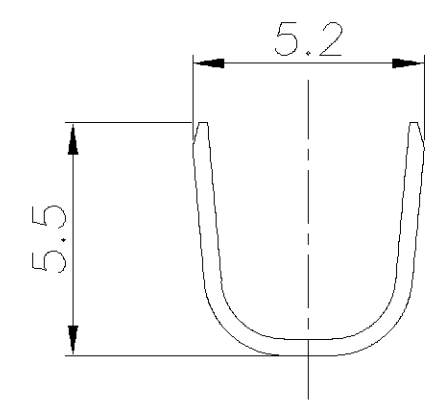
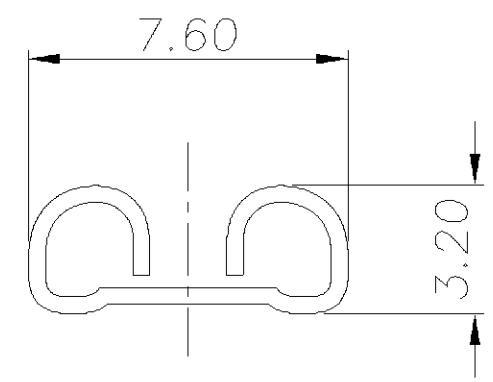
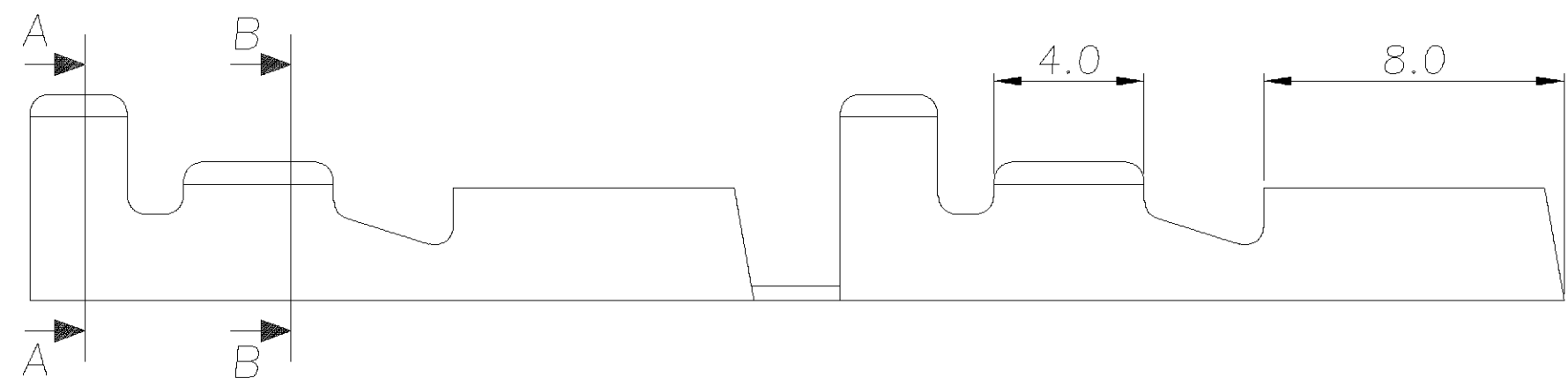
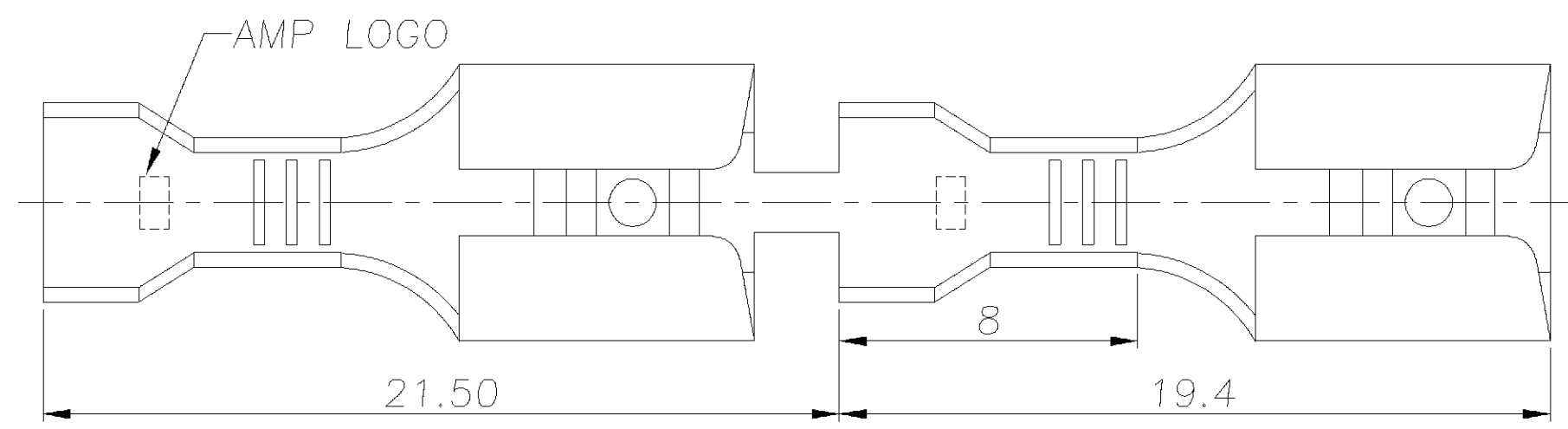
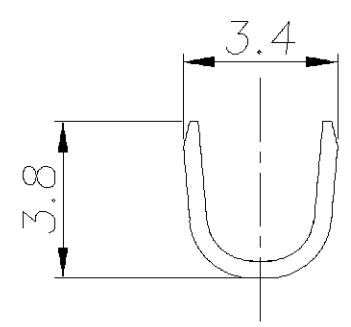


- NOTES :
- MATERIAL :  
TERMINAL : BRASS C2600EH, T=0.4mm
  - FINISH : TIN PLATING
  - APPLACTION :  
WIRE SIZE : AWG #20~#14



SEC. A-A



SEC. B-B

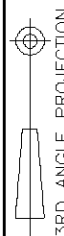
	1470322-2
	1470322-1
PLATING THICKNESS	PART NUMBER

DIMENSION : 0 PLC ±0.5 1 PLC ±0.3 2 PLC ±0.2 3 PLC ± ANGLES ±3'	DWN	S. HOU 26-APR-2002	<b>AMP</b> TYCO HOLDINGS (BERMUDA) VII LTD. TAIWAN BRANCH
	CHK	J. CHENG 26-APR-2002	
MATERIAL  SEE NOTE	APVD	J. WU 26-APR-2002	NAME RECEPTACLE, FASTIN-FASTON, .250 SERIES
	PRODUCT SPEC		
FINISH  SEE NOTE	APPLICATION SPEC		LOC DW A <sub>3</sub> SIZE C-1470322
	WEIGHT		REV 0
		SCALE	SHEET 1 OF 2

0	NEW RELEASED	FZ00-0097-02	SH	26APR 2002
LTR	REVISION RECORD	ECN	DWN	CHK

THIS INFORMATION IS CONFIDENTIAL AND IS DISCLOSED TO YOU ON CONDITION THAT NO FURTHER DISCLOSURE IS MADE BY YOU TO OTHER THAN AMP PERSONNEL WITHOUT WRITTEN AUTHORIZATION FROM AMP (TAIWAN) LTD. DIMENSIONS IN MILLIMETERS. DO NOT SCALE PRINT.

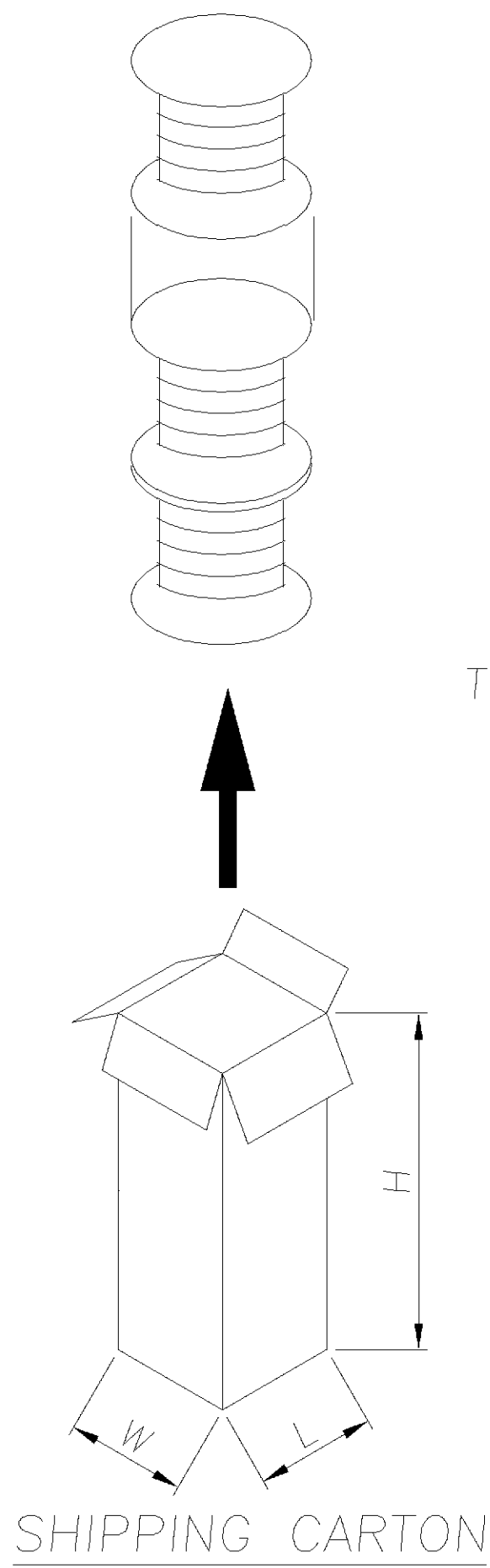
NUMBER  
C-1470322



METRIC

THIS INFORMATION IS CONFIDENTIAL AND IS DISCLOSED TO YOU ON CONDITION THAT NO FURTHER DISCLOSURE IS MADE BY YOU TO OTHER THAN AMP PERSONNEL WITHOUT WRITTEN AUTHORIZATION FROM AMP (TAIWAN) LTD. DIMENSIONS IN MILLIMETERS. DO NOT SCALE PRINT.

PRINT  
DW



NOTE :

1. DIMENSION :

REEL :  $\phi 260$ , W=150

SHIPPING CARTON:

L=275, W=275, H=480

2. QUANTITY :

5,000 PCS/FEEL

3 REEL/SHIPPING CARTON

DIMENSION :	DWN	S. HOU	<b>AMP</b> TYCO HOLDINGS (BERMUDA) VII LTD. TAIWAN BRANCH			
	0 PLC $\pm$	26-APR-2002			NAME	
1 PLC $\pm$	CHK	J. CHENG	RECEPTACLE, FASTIN-FASTON, .250 SERIES			
2 PLC $\pm$	26-APR-2002	APVD				
3 PLC $\pm$	MATERIAL	J. WU	LOC	SIZE	DRAWING NO	REV
ANGLES $\pm$		26-APR-2002	PRODUCT SPEC	DW	A <sub>3</sub>	C-1470322
FINISH	SEE NOTE	APPLICATION SPEC	SCALE	SHEET		
		WEIGHT	--	2 OF 2		

LTR	SEE SHEET 1	ECN	DWN	CHK	DATE
	REVISION RECORD				