

# Customer Information Sheet

DRAWING No.: M80-835XXXX

SHEET 2 OF 2

IF IN DOUBT - ASK

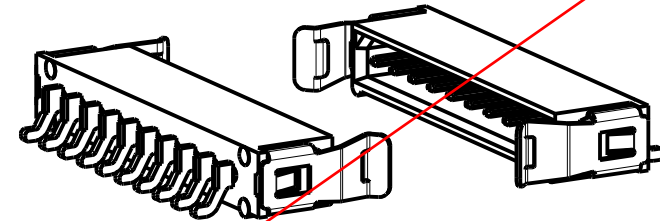
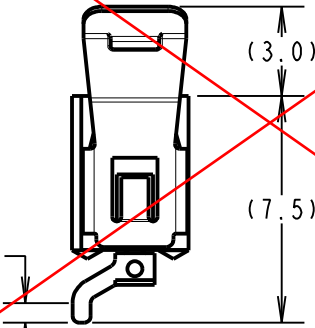
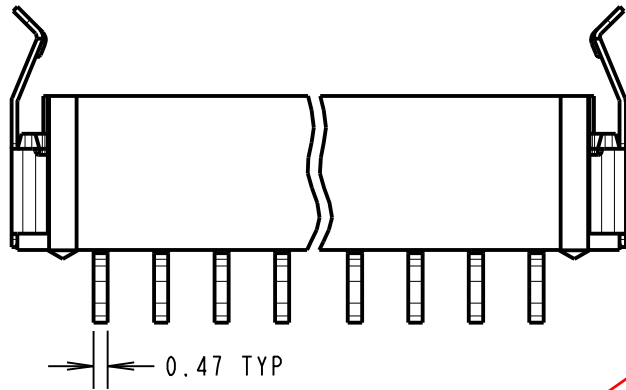
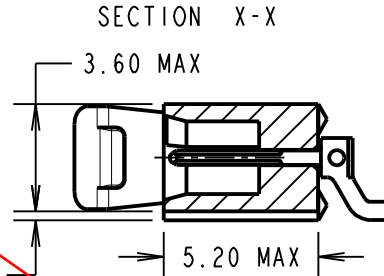
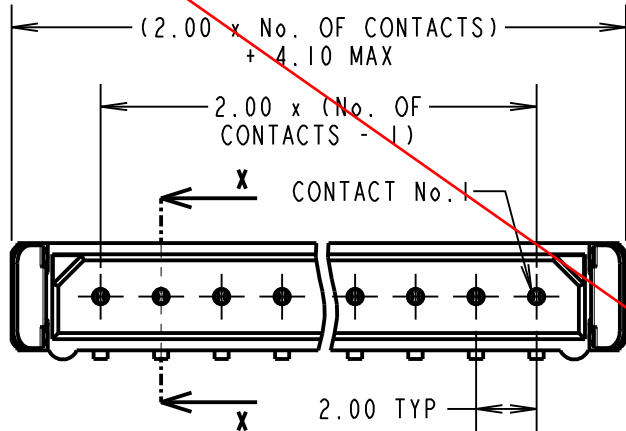
©

NOT TO SCALE

THIRD ANGLE PROJECTION

ALL DIMENSIONS IN mm

**OBSOLETE**



ORDER CODE:  
**M80-835XXXX**

No. OF CONTACTS  
 02 - 07, 17, 22

FINISH  
 22 - GOLD, 90/10 TIN/LEAD  
 42 - GOLD, 100% TIN  
 45 - GOLD

**SPECIFICATIONS:**

**MATERIAL:**  
 MOULDING = GLASS-FILLED PPS, UL94V-0, BLACK  
 CONTACT = COPPER ALLOY

**FINISH:**

**CONTACT:**  
 22 = 0.75µ GOLD ON CONTACT AREA,  
 0.3µ 90/10 TIN/LEAD ON TAILS  
 42 = 0.75µ GOLD ON CONTACT AREA,  
 0.3µ 100% TIN OVER NICKEL ON TAILS  
 45 = 0.75µ GOLD  
 LATCH = NICKEL

**ELECTRICAL:**

CURRENT RATING AT 25°C = 3.0A MAX  
 CURRENT RATING AT 85°C = 2.2A MAX  
 WORKING VOLTAGE = 800V AC/DC  
 VOLTAGE PROOF = 1200V AC/DC  
 CONTACT RESISTANCE = 25mΩ MAX  
 INSULATION RESISTANCE = 100MΩ MIN

**MECHANICAL:**

DURABILITY = 500 OPERATIONS

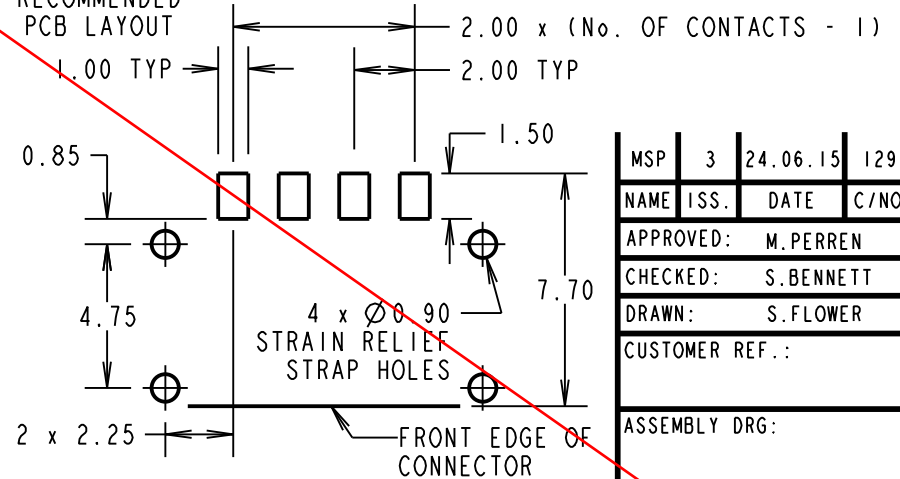
**ENVIRONMENTAL:**

TEMPERATURE RANGE = -55°C TO +125°C

**PACKING:**

TUBE, 2-OFF STRAIN RELIEF STRAPS PER CONNECTOR IN BAG  
 FOR COMPLETE SPECIFICATION, SEE COMPONENT  
 SPECIFICATION C005XX (LATEST ISSUE)

**RECOMMENDED  
 PCB LAYOUT**



MSP	3	24.06.15	12973
NAME	ISS.	DATE	C/NOTE
APPROVED:		M.PERREN	
CHECKED:		S.BENNETT	
DRAWN:		S.FLOWER	
CUSTOMER REF.:			
ASSEMBLY DRG:			

**HARWIN**

www.harwin.com  
 technical@harwin.com

THIS DRAWING AND ANY  
 INFORMATION OR DESCRIPTIVE  
 MATTER SET OUT HEREON ARE  
 CONFIDENTIAL AND COPYRIGHT  
 PROPERTY OF THE HARWIN  
 GROUP AND MUST NOT BE  
 DISCLOSED, LOANED, COPIED  
 OR USED FOR MANUFACTURING,  
 TENDERING OR FOR ANY  
 OTHER PURPOSE WITHOUT  
 THEIR WRITTEN PERMISSION.

**TOLERANCES**  
 X. = ±1mm  
 X.X = ±0.50mm  
 X.XX = ±0.10mm  
 X.XXX = ±0.01mm  
 ANGLES = ±5°  
 UNLESS STATED

**MATERIAL:**  
 SEE ABOVE

**FINISH:** SEE ABOVE

**S/AREA:** mm<sup>2</sup>

**TITLE:** DATAMATE L-TEK  
 MALE SIL HORIZONTAL SMT  
 ASSEMBLY (FRICTION LATCH)

**DRAWING NUMBER:**  
**M80-835XXXX**

SHT  
 2 OF 2