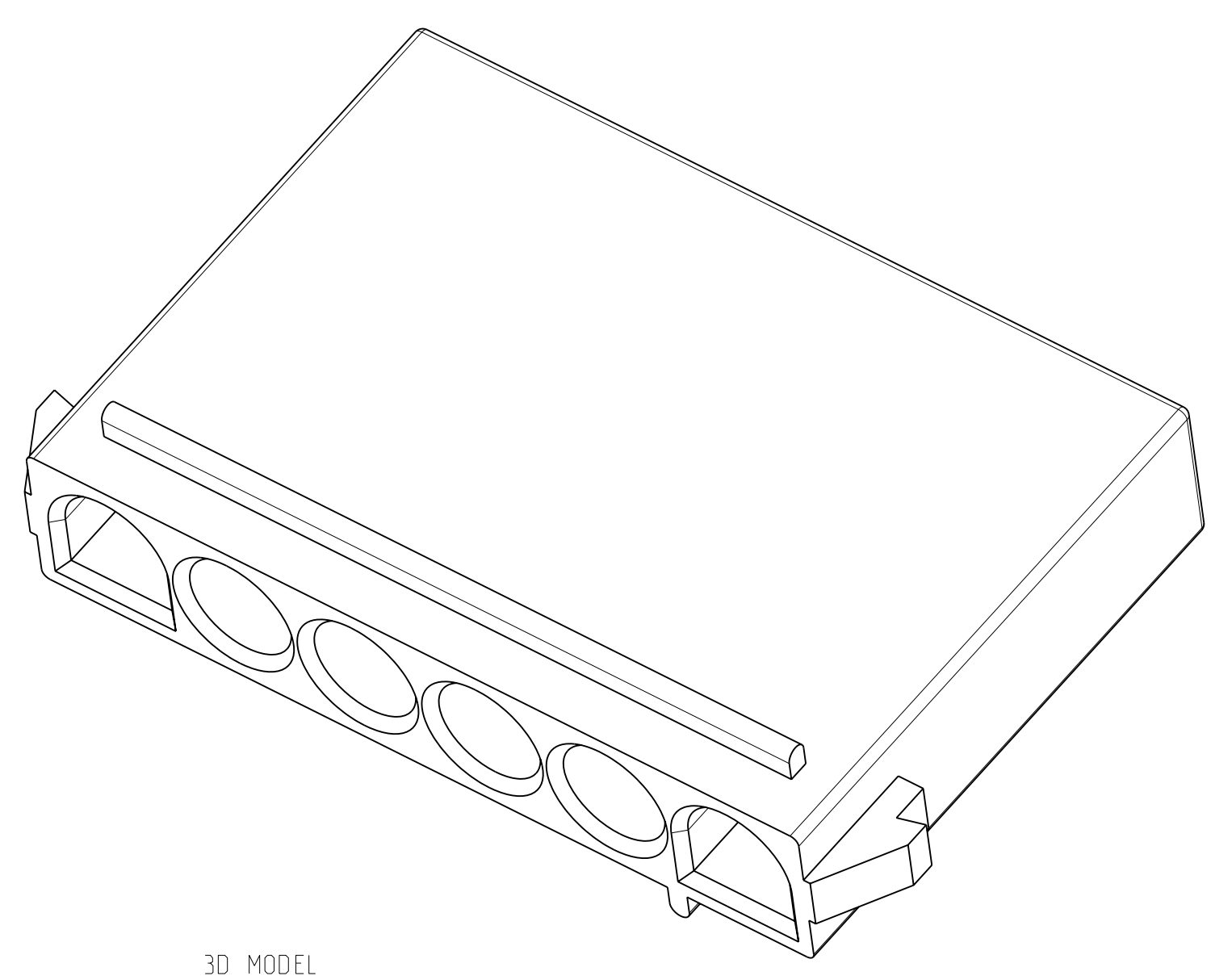
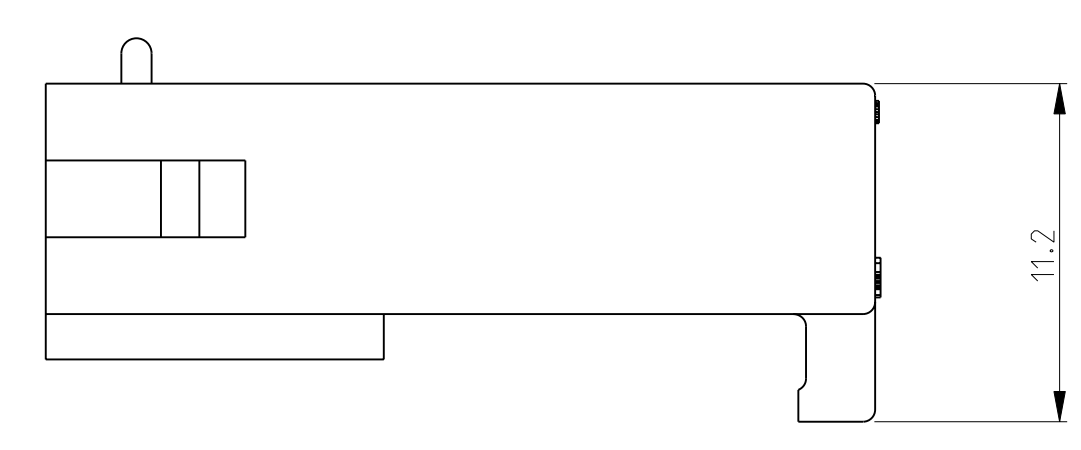
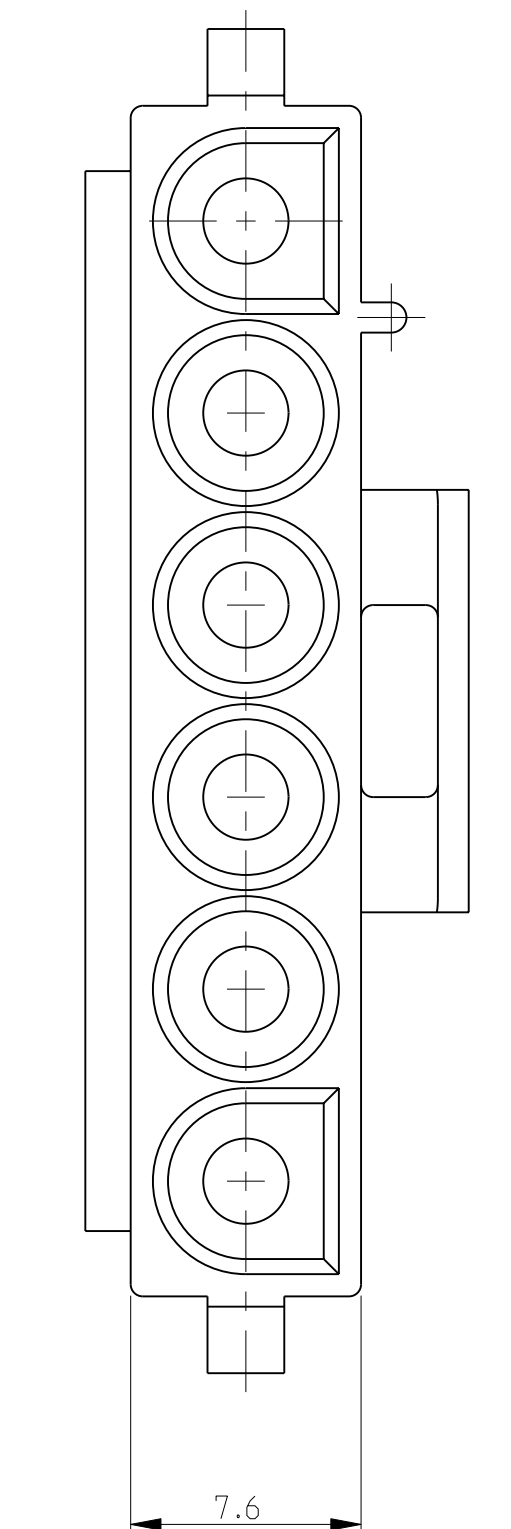
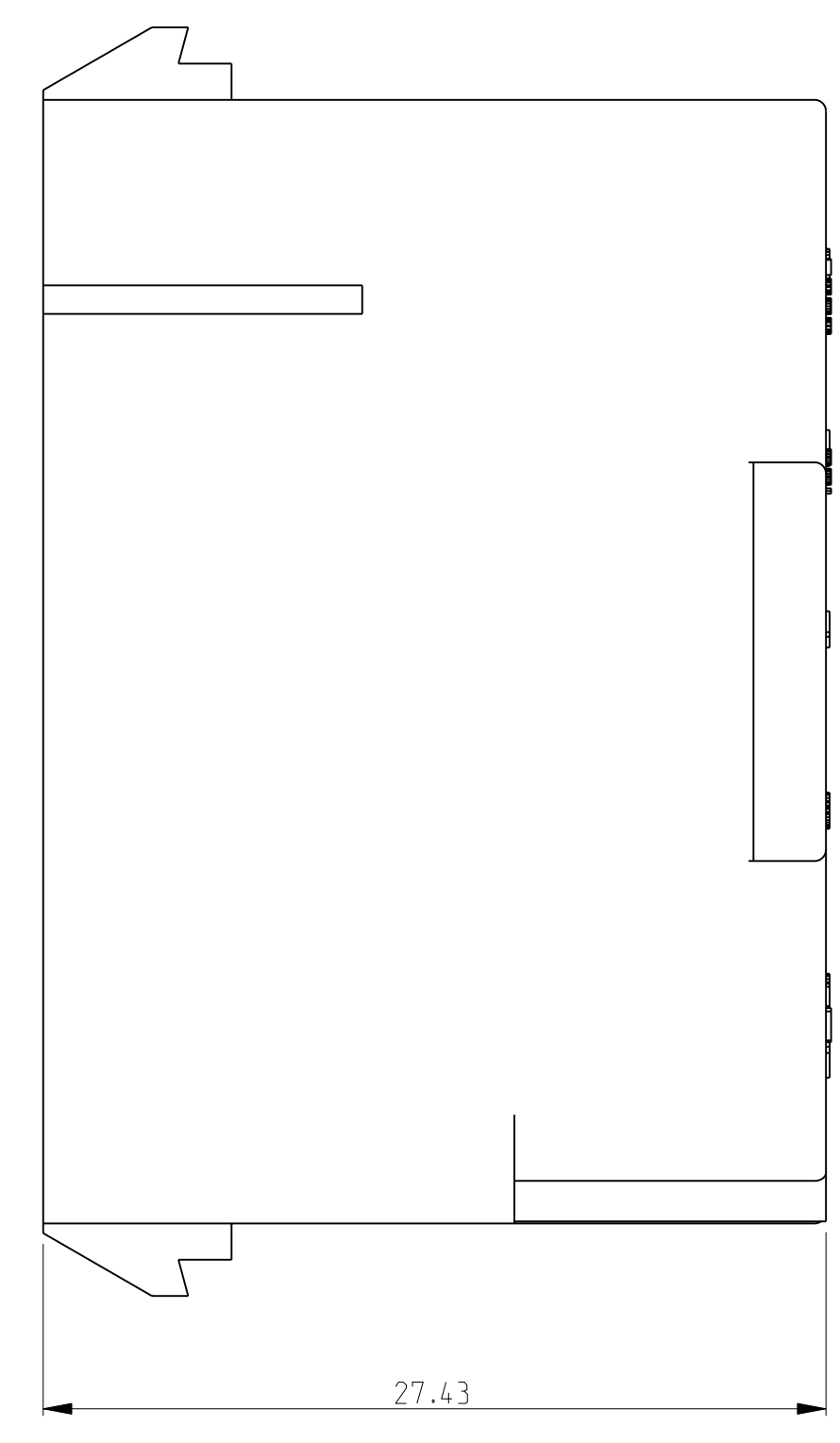
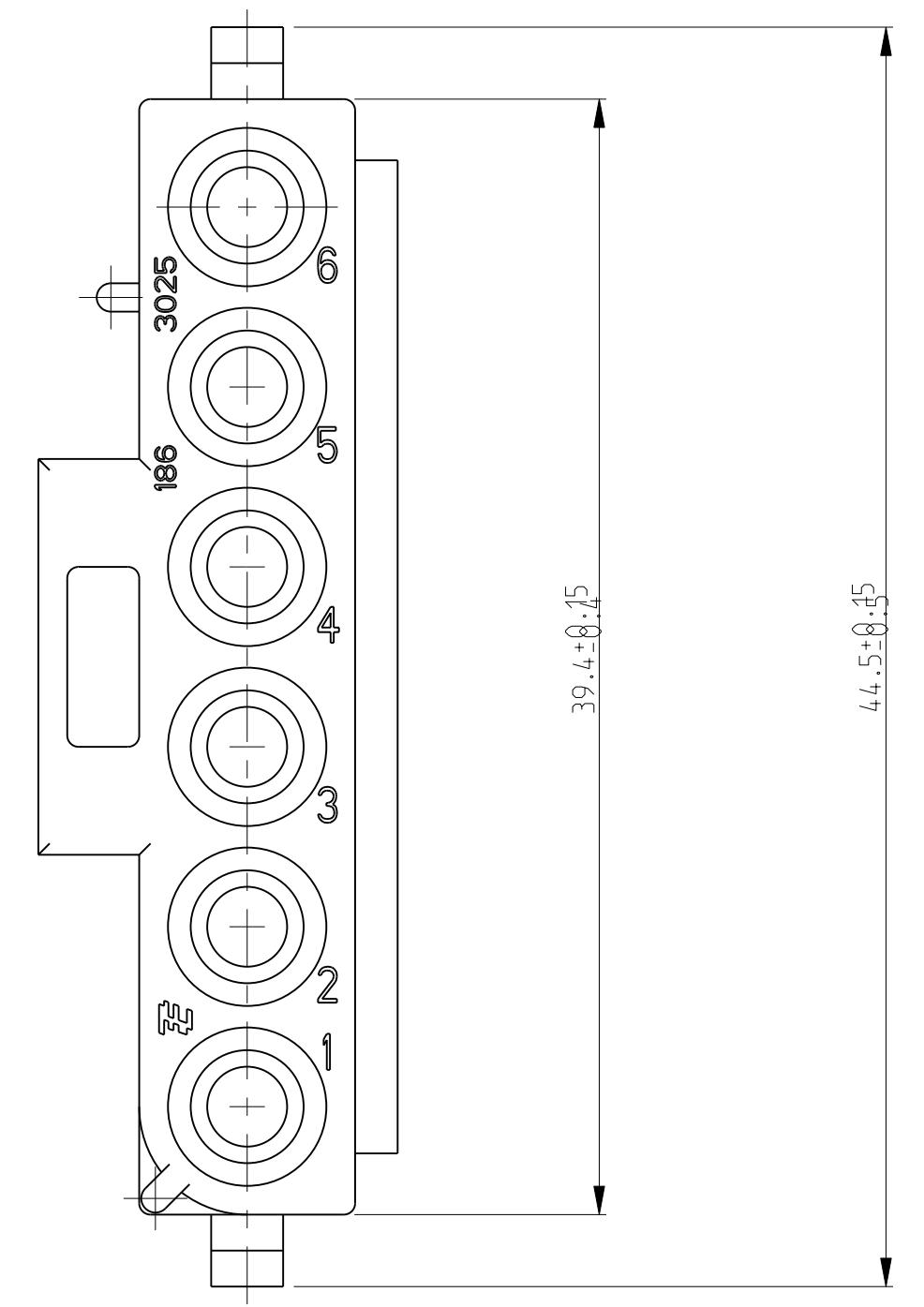


LOC		DIST		REVISIONS			
AL	2	P	LTR	DESCRIPTION	DATE	DWN	APVD
		B1		ECR-11-002912	10-Feb-11	C.J	MP



3D MODEL

1863025-1	PA6.6 UL94 V0	NATURAL
PN	MATERIAL	COLOUR

<small>THIS DRAWING IS A CONTROLLED DOCUMENT FOR TYCO ELECTRONICS CORPORATION. IT IS SUBJECT TO CHANGE WITHOUT NOTICE AND IS THE PROPERTY OF TYCO ELECTRONICS CORPORATION. IT IS TO BE KEPT IN CONFIDENTIALITY AND NOT TO BE REPRODUCED OR DISTRIBUTED OUTSIDE OF THE COMPANY WITHOUT THE WRITTEN PERMISSION OF TYCO ELECTRONICS CORPORATION. SHOULD BE CONTACTED FOR THE LATEST REVISION.</small>		DWN J. SALO 10-FEB-11	NAME UNIVERSAL MNL 6-WAY CAP	RESTRICTED TO -
DIMENSIONS: mm		CHK R. SOLE 10-FEB-11	PRODUCT SPEC -	
TOLERANCES UNLESS OTHERWISE SPECIFIED: 0 PLC ±0.13 1 PLC ±0.13 2 PLC ±0.2 3 PLC ±0.13 4 PLC ± ANGLES ±°		APVD P.F. GRASSANO 10-FEB-11	APPLICATION SPEC -	
MATERIAL SEE TABLE		WEIGHT -	SIZE A I	SCALE 4:1
FINISH -		CAGE CODE -	DRAWING NO. C=1863025	SHEET 1 OF 1
CUSTOMER DRAWING		REV B1		