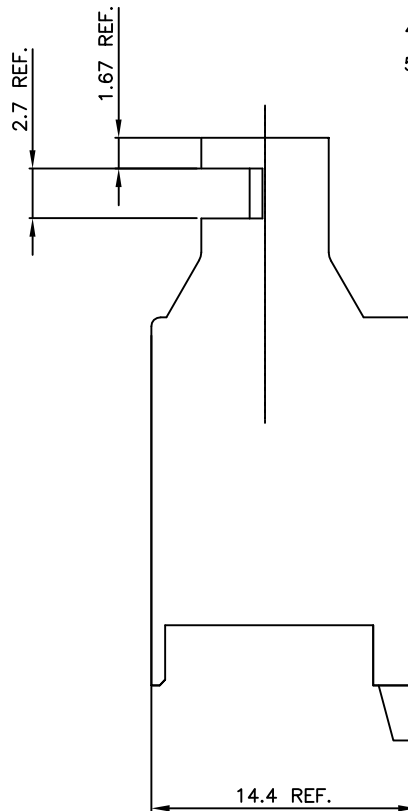
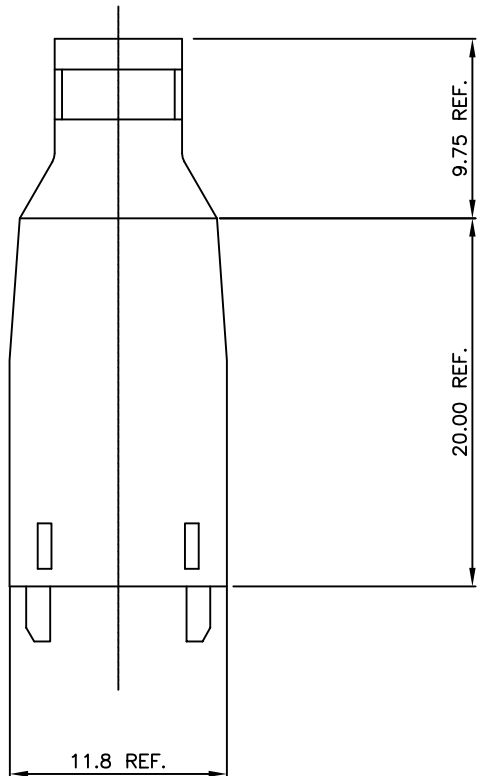
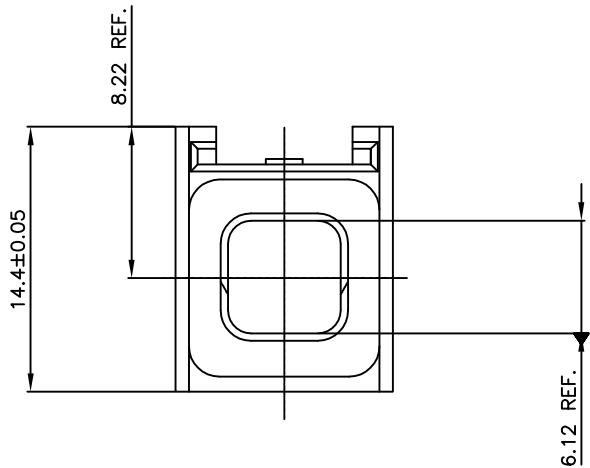


PRODUCT NUMBER 88976-001LF



NOTES:

1. MATERIAL: THERMOPLASTIC POLYESTER 30% GLASS FILLED. FLAME RETARDANT ACCORDING UL-94-V0. COLOR: BLACK.
2. ALL DIMENSION SHOWN ARE REFERENCE.
3. STANDARD METRAL (tm) CABLE CONNECTOR LATCH IS USED WITH THIS COVER.
4. THIS PRODUCT MEETS EUROPEAN UNION DIRECTIVES AND OTHER COUNTRY REGULATIONS AS DESCRIBED IN GS-22-008.
5. THE PRODUCT IS NOT INTENDED TO BE EXPOSED TO A MANUFACTURING SOLDER PROCESS.

mat'l code SEE NOTE 1.		tolerances unless otherwise specified		CUSTOMER COPY	ELECTRONICS www.fciconnect.com	
ltr	ecn no	dr	date	linear	projection 	title Cable Cover mini coax 3x3
A	H10348	DAN	920424			
B	0005-0438	Clu	051103	angles	mm	product family METRAL(tm)
				dr		
				eng		code 213
				chr	P Schalk	920424
				app	D Andrews	920424
sheet	revision			scale	5:1	size A2
1						dwg no 88976
1						code 213
						sheet 1 of 1

Tous droits réservés. Reproduction ou communication sans la permission écrite de FCI est interdite sans autorisation écrite du propriétaire.
 © FCI Inc.

All rights reserved. Reproduction or communication in any form without the written permission of FCI is prohibited.
 © FCI Inc.