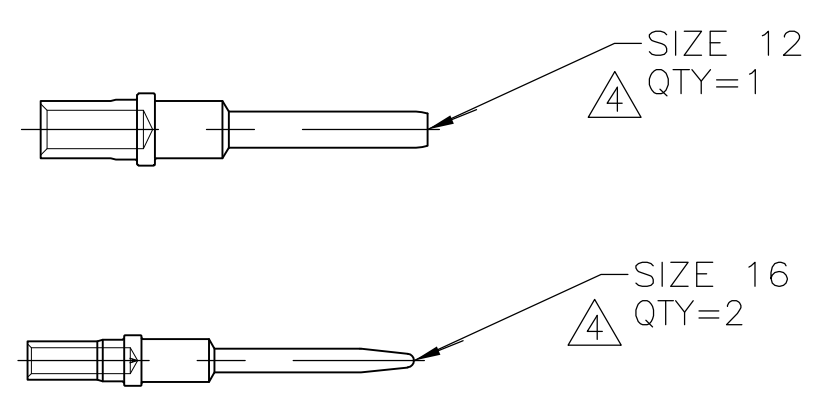
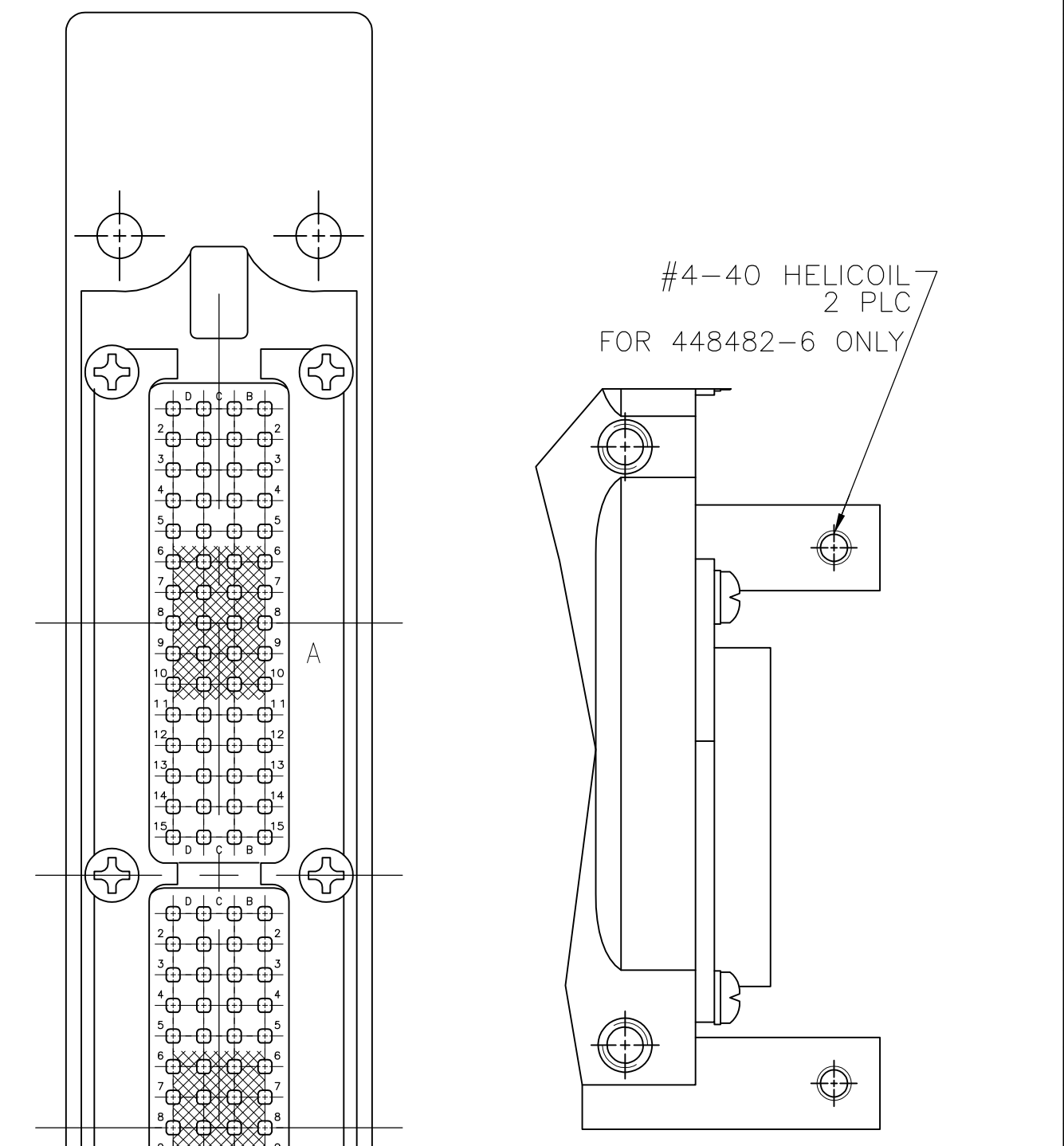
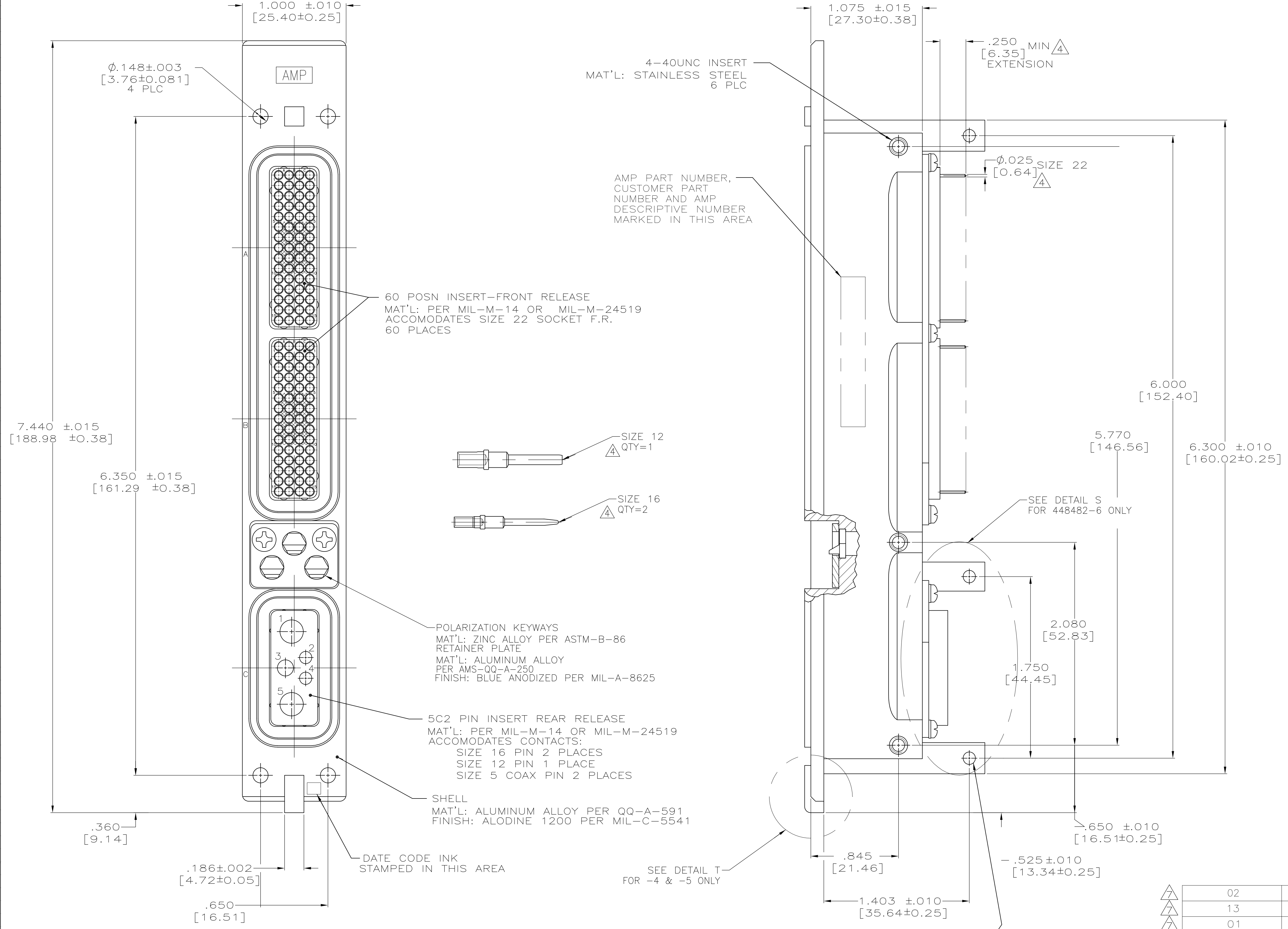


LOC	DIST	REV	DESCRIPTION	DATE	BY	APPV
DF	AO	H	REV PER ECO-11-012043	12JUL11	PY	WB



- CONTACTS MUST BE ORDERED SEPARATELY.
- PARTS MEET THE REQUIREMENTS OF THE ARINC 600 SPECIFICATION.
- DUST COVER SUPPLIED WITH PART NO. 448482-1.
- 448482-2 INCLUDES SIZE 22 SOCKET CONTACTS (INSTALLED) AND SIZE 12 AND SIZE 16 PIN CONTACTS (NOT INSTALLED).
- SPECIAL WITH INSERTS 60/OPEN/5C2, STANDARD MOUNTING, SIZE 22 CONTACTS (211431-4) LOADED IN 60 POSN. INSERT.
- KEYING SHOWN IN POSITION "01" FOR REFERENCE ONLY. SEE TABLE FOR KEYING POSITION.
- PRELIMINARY NOT RELEASED FOR PRODUCTION

DETAIL T FOR 448482-4 & -5 ONLY

POSITION KEYING	CUSTOMER PART NO.	DESCRIPTIVE NO.	PART NUMBER
02	-	-	448482-6
13	-	NIC66E11FA13SA1	448482-5
01	-	NIC66E11FA01GGO	448482-4
01	-	△	448482-3
01	-	NIC66E11FA01FFO	448482-2
01	BACC66E11FA01	NIC66E11FA01FA1	448482-1

THIS DRAWING IS A CONTROLLED DOCUMENT.		DIN C.C.THOMAS 10/27/99		S.C.LATFELTER 10/27/99		S.C.LATFELTER 10/27/99		NAME		RCPT ASSY, SIZE 1, FRONT RELEASE, ARINC 600	
DIMENSIONS: INCHES		TOLERANCES UNLESS OTHERWISE SPECIFIED:		APPLICATION SPEC		WEIGHT		SIZE		RESTRICTED TO	
0 PLC ± .005		1 PLC ± .005		2 PLC ± .005		3 PLC ± .005		4 PLC ± .005		A1 00779	
MATERIAL		FINISH		CUSTOMER DRAWING		SCALE 2:1		SHEET 1 OF 1		REV H	