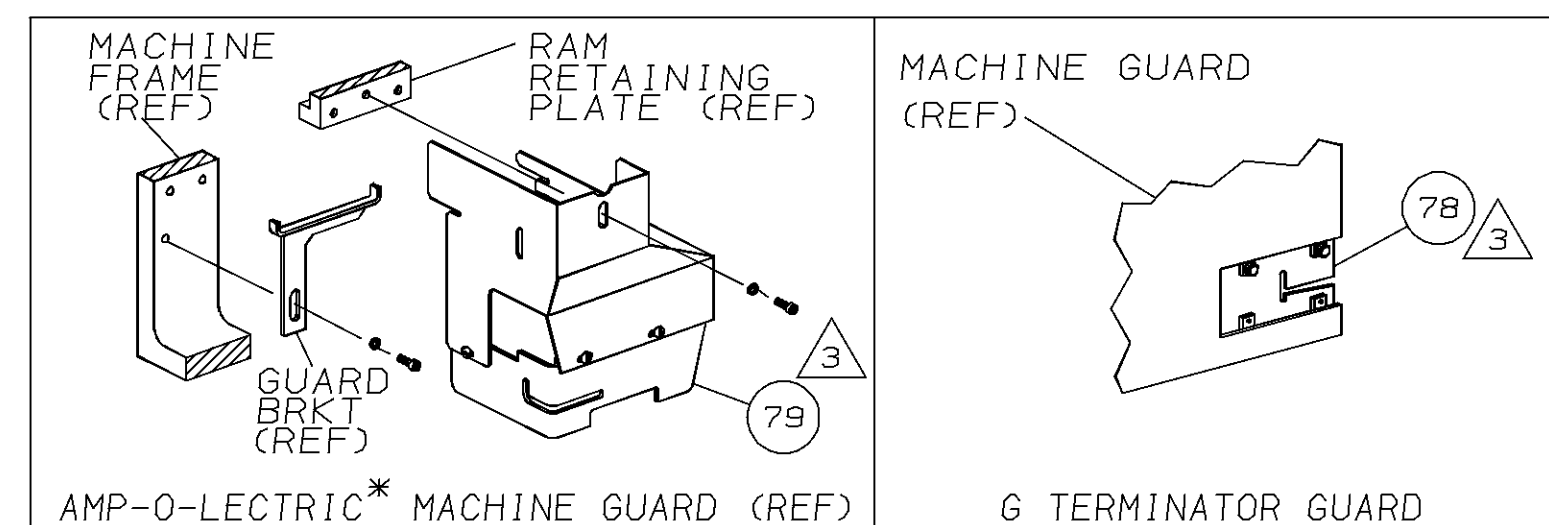
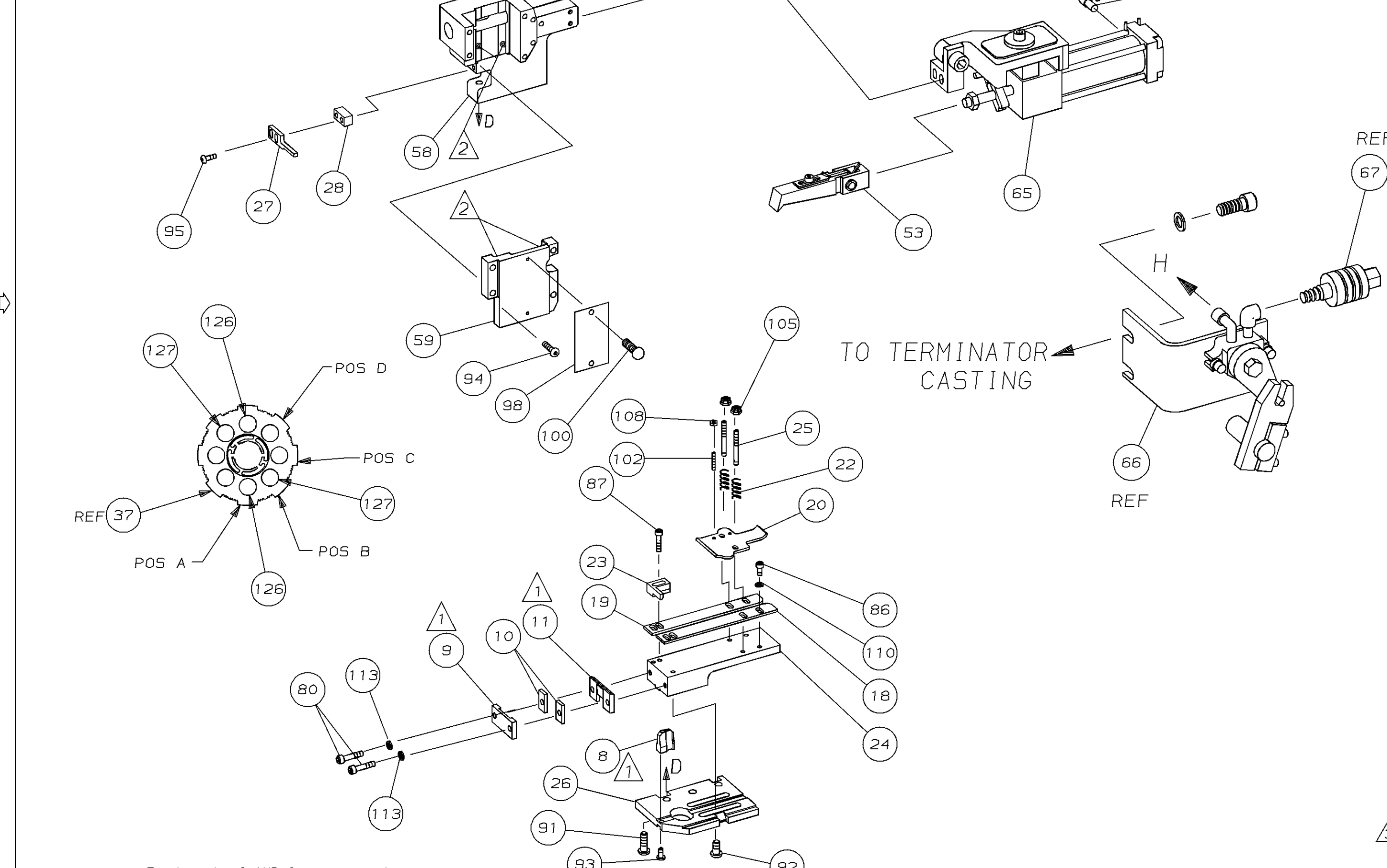
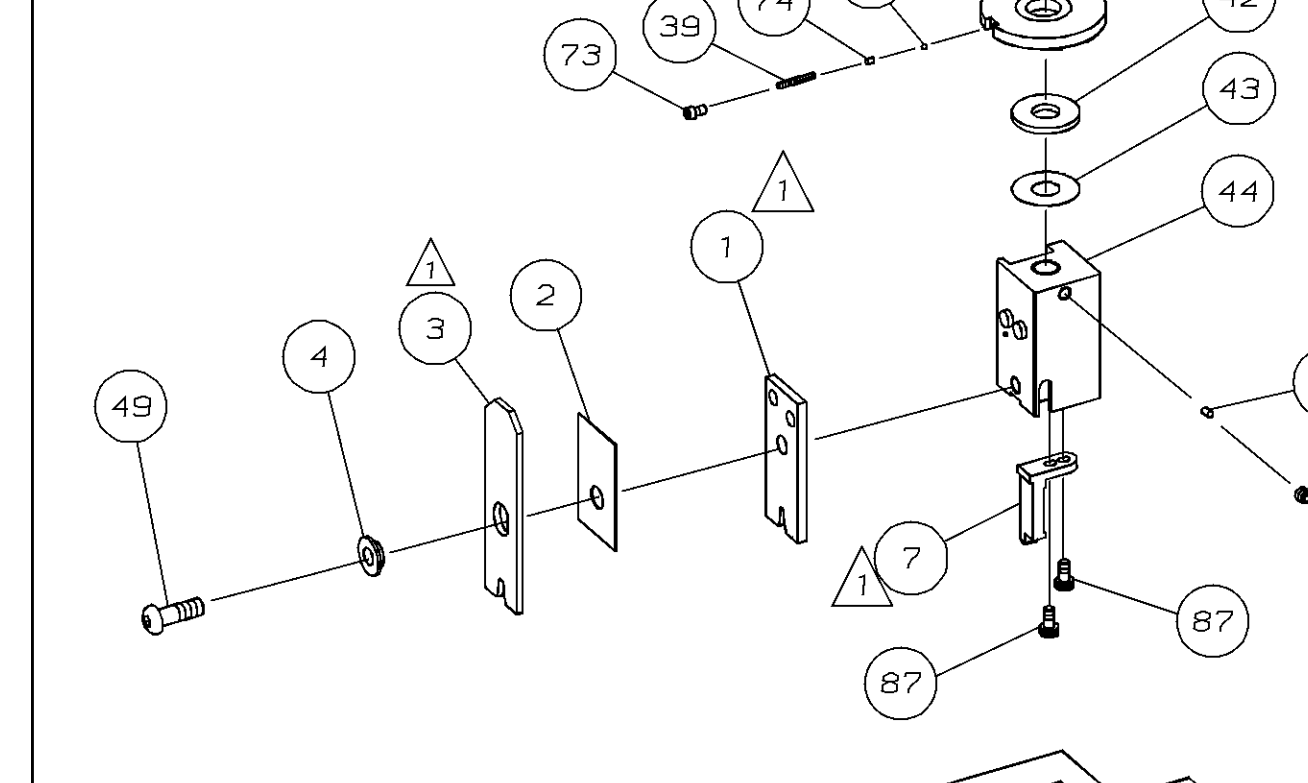


PART NUMBER	REV	FIRST USED
680054-1	C	854400-1
680054-2	C	565435-5
680054-3	C	354500-1



TERMINAL NAME: .187 SERIES RECEPTACLE, FASTON, FLAG, AMPLIVAR		CRIMPING DATA			
63772	PAD LTR	CRIMP HEIGHT	WIRE SIZE		
	A	.054±.002	(1)18 & (1)21 OR (1)17.5 & (1)21.5		
	B	.048±.002	(2)21 OR (2)21.5 OR (1)18 OR (1)17.5		
	C	NOT USED	USED		
	D	NOT USED	USED		
	CRIMP SIZE	TYPE	RANGE		
	WIRE .110	F	21.5-17.5		
	INSUL .110	F	.030-.090		
	FEED .570	APPL INST 408-8039	SET UP GAGE 458638-1	LAYOUT L1537	
TERM APPL SPEC -	WIRE STRIP LENGTH -				

QTY	REQD	PER	ASSY	PART NO	DESCRIPTION	ITEM NO	
-1				LEADMAKER	AIRFEED		
-2				BENCH MODEL K	AIRFEED		
-3				BENCH MODEL G	AIRFEED		
-	1	-	-	B	692655-5	AIR FEED VALVE ASSEMBLY	70
-	REF	-	-	A	24042-2	VALVE, SHUT OFF	69
-	REF	-	-	B	692655-6	AIR FEED VALVE ASSEMBLY	68
1	1	1	-	B	460277-1	AIR FEED ASSY	67
2	2	2	-	A	3-21000-9	SCR,SHC(10-32x1.00)AIR FD ASSY	66
1	-	1	-	A	22294-6	ELBOW, TUBING 1/8NPT - 1/4 T	65
1	-	1	-	A	23238-1	QUICK DISCONNECT	64
15.00	15.00	15.00	IN	A	27319-4	TUBING, POLY-FLO 1/4 DIA	63
							62
							61
							60
1	1	1	-	C	454220-1	CAP, RAM	59
1	1	1	-	D	453736-4	HOUSING	58
							57
							56
							55
							54
1	1	1	-	B	460680-2	FEED FINGER ASSY	53
							52
							51
							50
1	1	1	-	A	7-21002-9	BOLT, CRIMPER(5/16-24x1.00)	49
							48
							47
							46
1	1	1	-	A	690191-1	PLUG, NYLON	45
1	1	1	-	C	679275-1	RAM	44
1	1	1	-	A	690125-1	WASHER, LAMINATED	43
1	1	1	-	A	690124-1	WASHER, RAM	42
							41
1	1	1	-	A	23241-6	BALL, STEEL	40
1	1	1	-	A	690170-1	SPRING, COMPRESSION	39
1	1	1	-	C	690142-1	DISC, INSULATION	38
1	1	1	-	D	354777-1	WIRE DISC, PLASTIC	37
1	1	1	-	A	22480-5	WASHER, SPRING	36
1	1	1	-	B	690212-1	POST, RAM	35
							34
							33
							32
							31
							30
							29
1	1	1	-	B	4-690451-7	SPACER, STRIPPER	28
1	1	1	-	A	240639-2	STRIPPER	27
1	1	1	-	D	455676-1	PLATE, BASE	26
2	2	2	-	A	22354-8	DRAG, STUD	25
1	1	1	-	B	122286-1	PLATE, STRIP GUIDE	24
1	1	1	-	B	122344-1	PLATE, STRIP HOLD DOWN	23
2	2	2	-	A	4-22281-1	SPRING, DRAG	22
							21
1	1	1	-	A	454177-3	DRAG	20
1	1	1	-	B	679877-1	GUIDE, STRIP (REAR)	19
1	1	1	-	C	454204-2	GUIDE, STRIP (FRONT)	18
							17
							16
							15
							14
							13
							12
1	1	1	-	B	240644-5	PLATE, REAR SHEAR	11
2	2	2	-	A	1-240645-2	SPACER, SHEAR PLATE	10
1	1	1	-	B	1-240642-8	PLATE, FRONT SHEAR	9
1	1	1	-	D	2-456537-1	ANVIL	8
1	1	1	-	B	679272-2	BLADE, SLUG	7
							6
							5
1	1	1	-	B	238009-8	SPACER, BLOCK CRIMPER	4
1	1	1	-	C	2-456134-9	CRIMPER, INSULATION	3
1	1	1	-	B	2-455888-2	SPACER, CRIMPER	2
1	1	1	-	C	679433-2	CRIMPER, WIRE	1



- 1 RECOMMENDED SPARE PARTS.
- 2 GREASE LIGHTLY.
- 3 GUARD MUST BE IN PLACE WHEN OPERATING APPLICATOR IN AMP-O-LECTRIC MACHINE.
- 4 SEE DRAWING FOR COMPONENTS
- 5 ALUMINUM WIRE

QTY	REQD	PER	ASSY	PART NO	DESCRIPTION	ITEM NO	
2	2	2	-	C	2-354779-6	PIN, WIRE DISC (.3120)B	129
2	2	2	-	C	1-354779-4	PIN, WIRE DISC (.3060)A	127
1	1	1	-	A	986950-1	WASHER, FLAT PRECISION	126
							124
							123
							122
							121
							120
							119
							118
							117
							116
							115
							114
4	4	4	-	A	21024-5	WASHER, LOCK (NO.10)SHEAR PL	113
							112
							111
7	7	7	-	A	21024-4	WASHER, LOCK (NO.8)SHEAR BL	110
							109
2	2	2	-	A	21018-4	NUT, HEX (4-40) DRAG	108
							107
							106
2	2	2	-	A	21022-2	NUT, HEX SL (8-32)DRAG STUD	105
							104
							103
2	2	2	-	A	2-21006-6	SKT SKT SET (4-40x.62)DRAG	102
1	1	1	-	A	21009-2	SCR, SKT SET (1/4-20x.25)RAM	101
2	2	2	-	A	21017-2	SCR, DRIVE (#2x.19) ID PLATE	100
							99
1	1	1	-	B	461264-1	PLATE, IDENTIFICATION	98
							97
							96
2	2	2	-	A	2-21002-2	SCR, BHC (8-32x.50) STRIPPER	95
4	4	4	-	A	2-21002-9	SCR, BHC (10-32x.75) CAP	94
1	1	1	-	A	22733-8	SCR, BHC (8-32x.38 LW) ANVIL	93
4	4	4	-	A	3-21002-3	SCR, BHC (1/4-20x.50) ST 6D PL	92
3	3	3	-	A	2-22733-8	SCR, BHC (1/4-20x.62) HSG	91
2	2	2	-	A	1-21000-3	SCR, SKT CAP (4-40x.25) DRAG	90
							89
							88
4	4	4	-	A	2-21000-7	SCR, SHC (8-32x.50) SLUG BLADE	87
3	3	3	-	A	2-21000-5	SCR, SHC (8-32x.25) STRIP GUIDE	86
							85
							84
							83
							82
							81
2	2	2	-	A	3-21000-8	SCR, SKT CAP (10-32x.88) SH PL	80
-	1	-	-	A	455750-8	GUARD ASSY	79
REF	-	-	-	B	679532-1	INSERT, GUARD	78
							77
							76
							75
1	1	1	-	A	690603-1	SPRING, ASSIST	74
1	1	1	-	A	23030-1	SCR, SKT CAP (6-32x.25) CP DSC	73
							72
							71

QTY	REQD	PER	ASSY	U/M	DWG	SIZE	PART NO	DESCRIPTION	ITEM NO
-3	-2	-1							
REVISION OF EACH ASSY NO (WHEN BLANK, USE DWG REVISION)									
PARTS LIST									

QTY	REQD	PER	ASSY	U/M	DWG	SIZE	PART NO	DESCRIPTION	ITEM NO
-3	-2	-1							
REVISION OF EACH ASSY NO (WHEN BLANK, USE DWG REVISION)									
PARTS LIST									

THIS DRAWING IS A CONTROLLED DOCUMENT FOR AMP INCORPORATED. IT IS SUBJECT TO CHANGE AND THE CONTROLLING ENGINEERING ORGANIZATION SHOULD BE CONTACTED FOR THE LATEST REVISION.

THIS INFORMATION IS CONFIDENTIAL AND IS DISCLOSED TO YOU ON CONDITION THAT NO FURTHER DISCLOSURE IS MADE BY YOU TO OTHER THAN AMP PERSONNEL WITHOUT WRITTEN AUTHORIZATION FROM AMP INCORPORATED, HARRISBURG, PA.