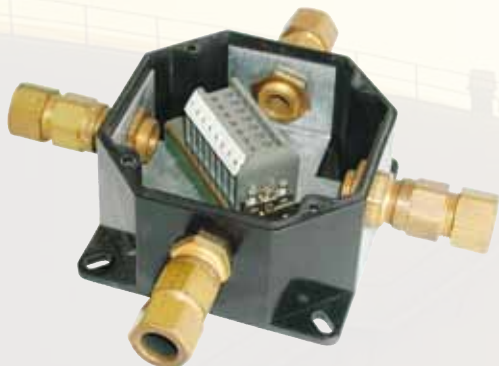


# Ex Polyester Okta Box



- Glass fibre reinforced polyester enclosure system for applications in all Ex-areas
- Empty enclosures for individual fittings and Ex e / Ex ia junction boxes
- Enclosures with external fixing brackets
- Temperature classes T6 / T5 / T4



## Technical Data

### Explosion protection

Ex II 2 G

Ex II 2 D

Ex e II T6 (increased safety)

Ex ia IIC T6 (intrinsic safety)

Ex e(ia) IIC T6 (mixed fitting)

### Certificates

IECEX PTB 08.0003U, PTB 01 ATEX 1061U, Gost R, INMETRO MC AEX-8296-U, Gost K  
IECEX PTB 08.0004, PTB 00 ATEX 1002, Gost R, INMETRO MC AEX-8503-X, Gost K  
5-XPL/12.0778

### Material

glass fibre reinforced duroplastic polyester, graphite added

### Colour

RAL 9011, graphite black

### Ingress protection

IP 66 to EN 60529

### Impact resistance

7 Joule to EN 60079-0

### Flammability

self-extinguishing, UL 94 V-0

### Surface resistance

<10<sup>9</sup> Ohm to IEC 60093

### Toxicity

halogen-free

### Temperature range

-20°C to +40°C (corresponds T6 = 85°C max. surface temperature)

-20°C to +55°C (corresponds T5 = 100°C max. surface temperature)

-20°C to +90°C (corresponds T4 = 135°C max. surface temperature)

to -55°C with special marking on request

## Included in delivery

Empty enclosure:

Enclosure with silicone seal

Junction box:

Enclosure system - depending on version  
either with silicone seal, continuity plate, DIN  
rails, internal earthing connection, terminals,  
manufacturing, cable glands

## Product range

Order No.			
Ex e	Ex ia	empty enclosures	dimensions (mm) H x W x D
06.88 01 00	16.88 01 00	26.88 01 00	81 x 81 x 75
06.88 02 00	16.88 02 00	26.88 02 00	121 x 121 x 75
06.88 03 00	16.88 03 00	26.88 03 00	161 x 161 x 93
06.88 04 00	16.88 04 00	26.88 04 00	201 x 201 x 121

## Accessories

Type	DIN rail*		sheath clamp	allen lid screw	continuity plate
	TS 15	TS 35			
06/16/26.88 01 00	•		•	•	•
06/16/26.88 02 00	•	•	•	•	
06/16/26.88 03 00	•	•	•	•	•
06/16/26.88 04 00	•	•	•	•	•

\* TS 32 on request

# Ex Polyester Okta Box



## Terminal mounting

Make	Phoenix															Bartec				
DIN rail TS 15				X	X				X											
DIN rail TS 32																				
DIN rail TS 35	X	X	X			X	X		X	X	X	X	X	X						
Voltage (V)	352	550	690	275	420	690	690	275	690	690	690	690	880	1100	1100	380	380			
Current (A)	17	22	23	22,5	27	32,5	43,5	37	57	74	118,5	137	216	256	350					
Nominal cross section (mm <sup>2</sup> )	1,5	2,5	2,5	2,5	4	4	6	6	10	16	35	50	95	150	240	2,5	2,5			
Terminal width (mm)	4,2	5,2	5,2	5,2	6,2	6,2	8,2	8,2	10,2	12,2	16	20	25	31	36	30	30			
Terminal Type																				
Enclosure Type	UK 1,5 N	UK 2,5 N	UK 3 N	MBK 3/E-Z	MXX 4	UK 5 N	UK 6 N	MBK 6/E	UK 10 N	UK 16 N	UK 35	UKH 50	UKH 95	UKH 150	UKH 240	Ex-Mini-Klemmen	Ex-Mini-Klemmen blau	Mantelklemmen (2 x 4 mm <sup>2</sup> pro Klemme)		
<b>06/16./26.88 01 00</b>				8															2	
<b>06/16./26.88 02 00</b>	14	12	12	12	10	10	7	7	6										2	
<b>06/16./26.88 03 00</b>	24	19	19	19	16	16	12	12	10	8									2	
<b>06/16./26.88 04 00</b>	37	30	30	30	25	25	19	19	15	12	10	7							2	

PE terminal as required

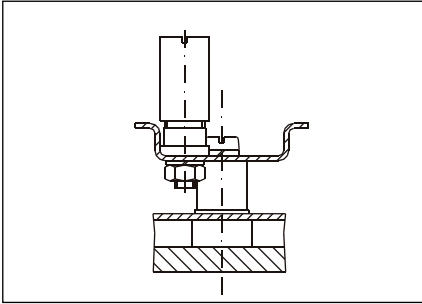
Make	Weidmüller																				
DIN rail TS 15	X	X	X	X																	
DIN rail TS 32							X	X		X		X									
DIN rail TS 35					X	X			X		X		X	X		X	X	X	X	X	
Voltage (V)	275	176	176	275	440	550	550	550	690	550	550	550	550	690	690	550	690	690	880	1100	
Current (A)	14	10	15	21	21	21	21	28	28	36	36	50	50	66	66	109	109	126	167	202	
Nominal cross section (mm <sup>2</sup> )	1,5	1,5	2,5	4	2,5	2,5	2,5	4	4	6	6	10	10	16	16	35	35	50	70	95	
Terminal width (mm)	3,5	5,1	5,1	6,1	5	5	6	6,5	6,1	8	7,9	10	9,9	12	11,9	16	18	18,5	20,5	27	
Terminal Type																					
Enclosure Type	WDU 1,5 / R 3,5/E	AKZ 1,5	AKZ 2,5	AKZ 4	WDU 2,5 N	WDU 2,5	SAK 2,5	SAK 4	WDU 4	SAK 6N	WDU 6	SAK 10	WDU 10	SAK 16	WDU 16	WDU 35	SAK 35	WDU 50N	WDU 70N	WDU 70/95	
<b>06/16./26.88 01 00</b>	12	5	5																		
<b>06/16./26.88 02 00</b>	15	11	11	9	14	12	12	12	9	9	7	7									
<b>06/16./26.88 03 00</b>	26	19	19	16	21	18	18	18	13	13	11	11	9	9							
<b>06/16./26.88 04 00</b>	37	37	30	25	30	30	30	25	25	19	19	15	15	12	12	10	10	7			

PE terminal as required

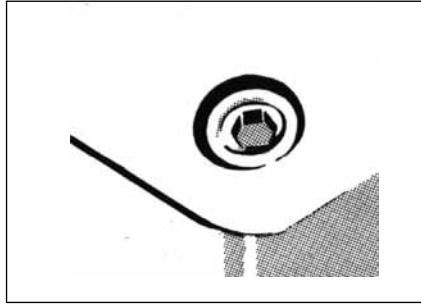
# Ex Polyester Okta Box



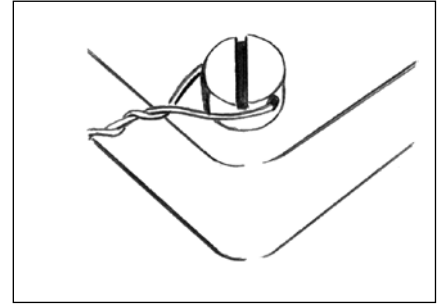
## Accessories



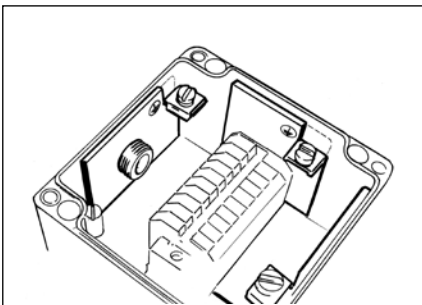
PE connection on DIN rail



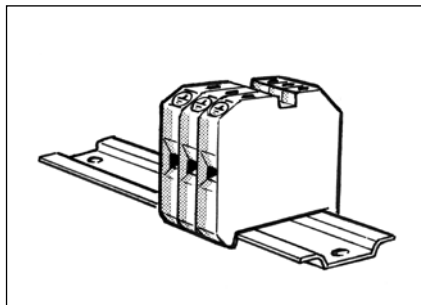
Allen lid screw from stainless steel



Sealable lid screw, corrosion resisted



Continuity plate brass



PE terminal block



Terminal fitting, cable glands

# Ex Polyester Okta Box













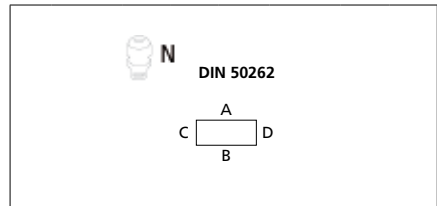
Type: **Ex e 06.88 01 00**    **Ex ia 16.88 01 00**     **26.88 01 00**

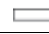



## ATEX



**h x w x d** 81 x 81 x 75 mm

 **333 g**


									
l in mm	in mm	N	N						
TS 15									
68				•	•				•



	1,5	2,5	4	6	10	16	25	35	50	70	95
	**	8	8								
	N	1	1								
	6										
	10	32									
	16	11	21								
	20	4	12								
	25		5								
	35										
	50										
	63										
	80										
	100										
	125										
	160										
	200										
	225										
	250										
	315										
400											
500											

M		Side		PG		Side	
		A/B	C/D			A/B	C/D
12	17,25	3	3	7	17,25	3	3
16	25,30	1	1	9	21,85	2	2
20	27,60	1	1	11	25,30	1	1
25	37,95			13,5	27,60	1	1
32	48,30			16	31,05	1	1
40	60,95			21	37,95		
50	69,00			29	48,30		
63	74,75			36	60,95		
				42	69,00		
				48	74,75		











\*\* Base: Terminal block Phoenix Contact, further see page 153

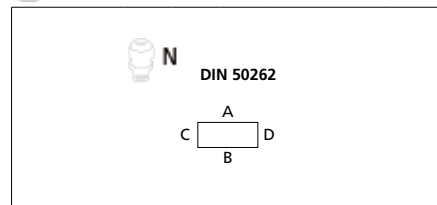
Type: **Ex e 06.88 02 00**    **Ex ia 16.88 02 00**     **26.88 02 00**





## ATEX



**h x w x d** 121 x 121 x 75 mm

 **538 g**

									
l in mm	in mm	N	N						
TS 15/35									
101	72								



	1,5	2,5	4	6	10	16	25	35	50	70	95
	**	14	12	10	7	6					
	N	1	1	1	1	1					
	6										
	10	36									
	16	12	24	93							
	20	5	14	27							
	25		6	15	29						
	35			4	11	28					
	50					9					
	63					3					
	80										
	100										
	125										
	160										
	200										
	225										
	250										
	315										
400											
500											

M		Side		PG		Side	
		A/B	C/D			A/B	C/D
12	17,25	8	8	7	17,25	8	8
16	25,30	3	3	9	21,85	5	5
20	27,60	2	2	11	25,30	3	3
25	37,95	1	1	13,5	27,60	2	2
32	48,30			16	31,05	2	2
40	60,95			21	37,95	1	1
50	69,00			29	48,30		
63	74,75			36	60,95		
				42	69,00		
				48	74,75		

\*\* Base: Terminal block Phoenix Contact, further see page 153

# Ex Polyester Okta Box



Type: **Ex e 06.88 03 00**

**Ex ia 16.88 03 00**



**26.88 03 00**

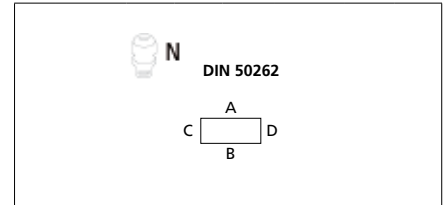
**ATEX**

**h x w x d 161 x 161 x 93 mm**



**980 g**

l in mm	in mm	N	N								
TS 15/35											
141	107,5										



Terminal Block	1,5	2,5	4	6	10	16	25	35	50	70	95
	24	19	16	12	10	8					
	1	1	1	1	1	1					
	6										
	10	47									
	16	16	31	121							
	20	6	18	35							
	25		8	20	38						
	35			5	15	37					
	50				2	12	30				
	63					4	14				
	80						5				
	100										
	125										
	160										
	200										
	225										
	250										
315											
400											
500											

M	Side	Side		PG	Side	Side	
		A/B	C/D			A/B	C/D
12	17,25	15	15	7	17,25	15	15
16	25,30	8	8	9	21,85	9	9
20	27,60	5	5	11	25,30	8	8
25	37,95	2	2	13,5	27,60	5	5
32	48,30	2	2	16	31,05	4	4
40	60,95			21	37,95	2	2
50	69,00			29	48,30	2	2
63	74,75			36	60,95		
				42	69,00		
				48	74,75		

\*\* Base: Terminal block Phoenix Contact, further see page 153

Type: **Ex e 06.88 04 00**

**Ex ia 16.88 04 00**



**26.88 04 00**

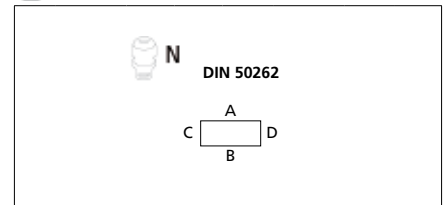
**ATEX**

**h x w x d 201 x 201 x 125 mm**



**2080 g**

l in mm	in mm	N	N								
TS 35											
178	148										



Terminal Block	1,5	2,5	4	6	10	16	25	35	50	70	95
	111	90	75	57	30	24	10	10	7		
	1	1	1	1	1	1	1	1	1		
	6										
	10	64									
	16	22	42	165							
	20	9	25	48							
	25		11	27	52						
	35			8	20	51					
	50				3	16	42				
	63					5	19	69			
	80						7	21	77		
	100							9	20		
	125								8	20	
	160									7	
	200										
	225										
	250										
315											
400											
500											

M	Side	Side		PG	Side	Side	
		A/B	C/D			A/B	C/D
12	17,25	36	36	7	17,25	36	36
16	25,30	16	16	9	21,85	20	20
20	27,60	12	12	11	25,30	16	16
25	37,95	6	6	13,5	27,60	12	12
32	48,30	4	4	16	31,05	10	10
40	60,95	2	2	21	37,95	6	6
50	69,00	2	2	29	48,30	4	4
63	74,75	1	1	36	60,95	2	2
				42	69,00	1	1
				48	74,75	1	1

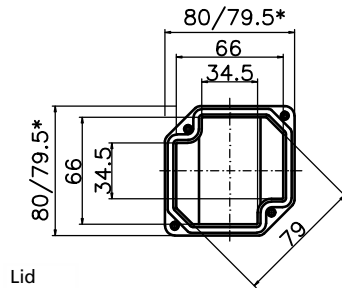
\*\* Base: Terminal block Phoenix Contact, further see page 153

# Ex Polyester Okta Box

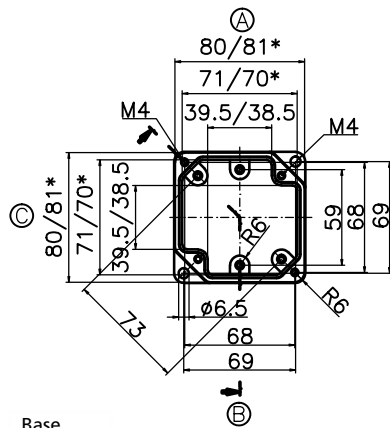


## Dimensions

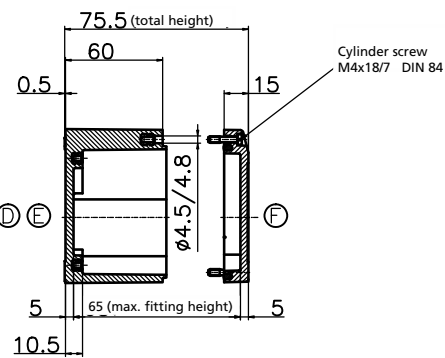
Type: **06/16/26.88 01 00**



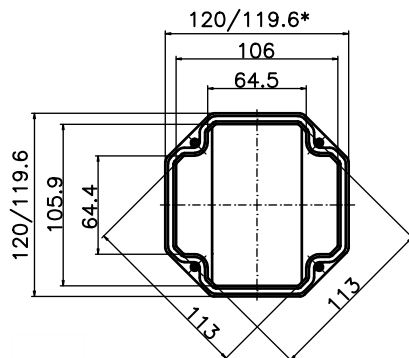
Lid



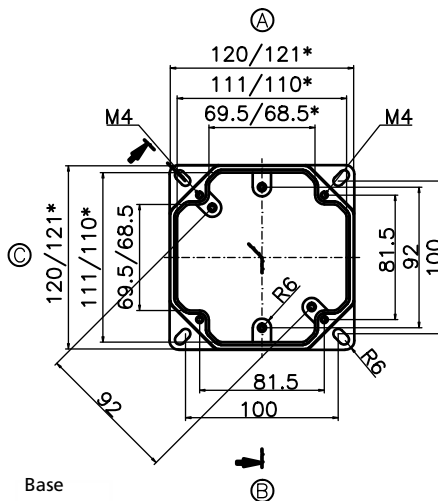
Base



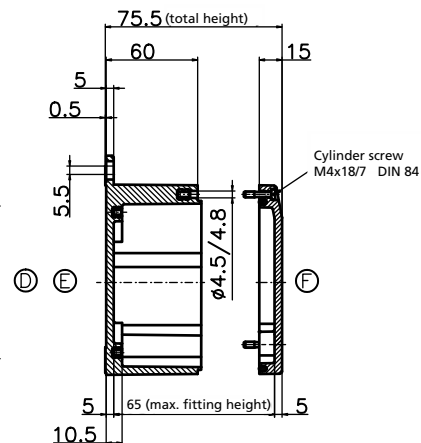
Type: **06/16/26.88 02 00**



Lid



Base



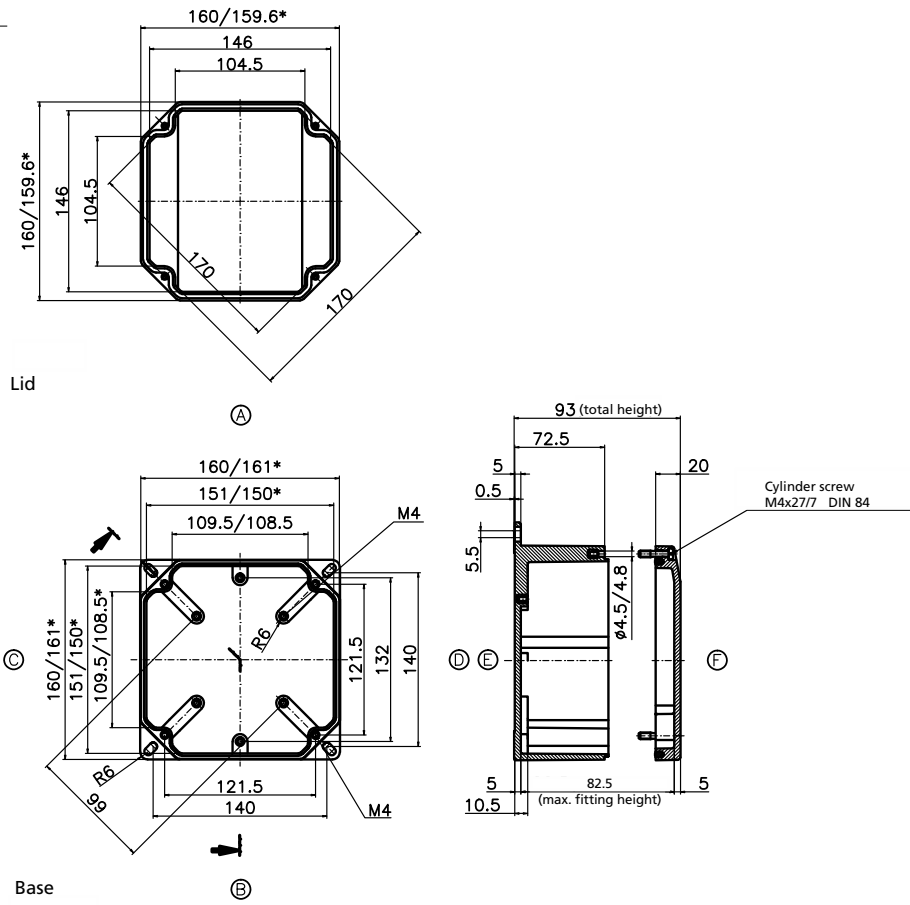


# Ex Polyester Okta Box



## Dimensions

Type: **06/16/26.88 03 00**



Type: **06/16/26.88 04 00**

