

REVISIONS

P	LTR	DESCRIPTION	DATE	DWN	APVD
	A	INITIAL RELEASE	07MAY2015	DL	CW

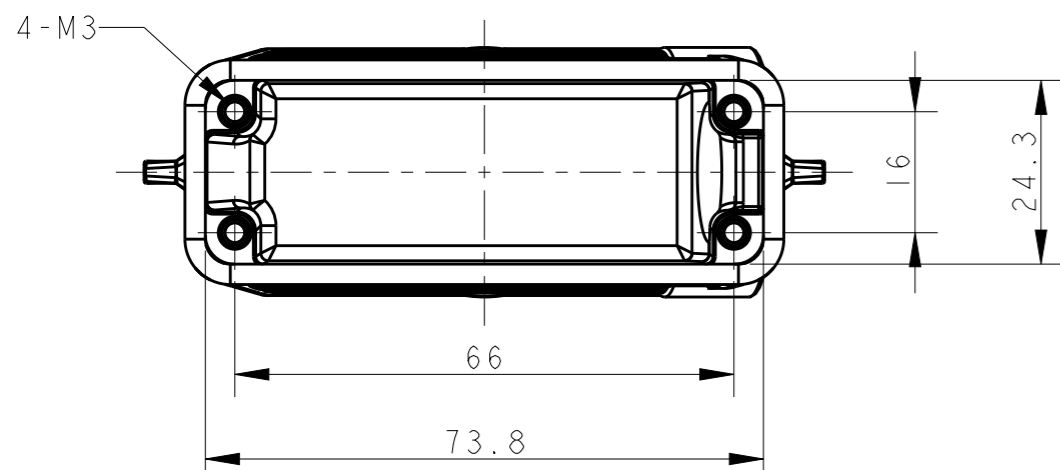
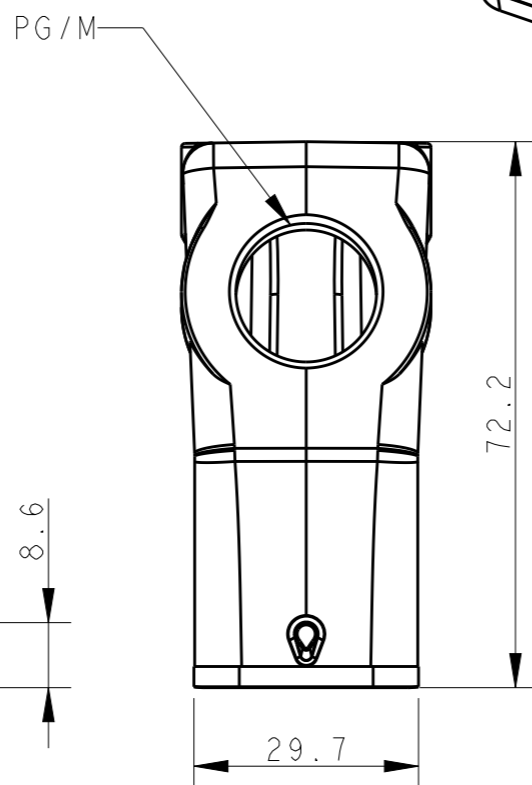
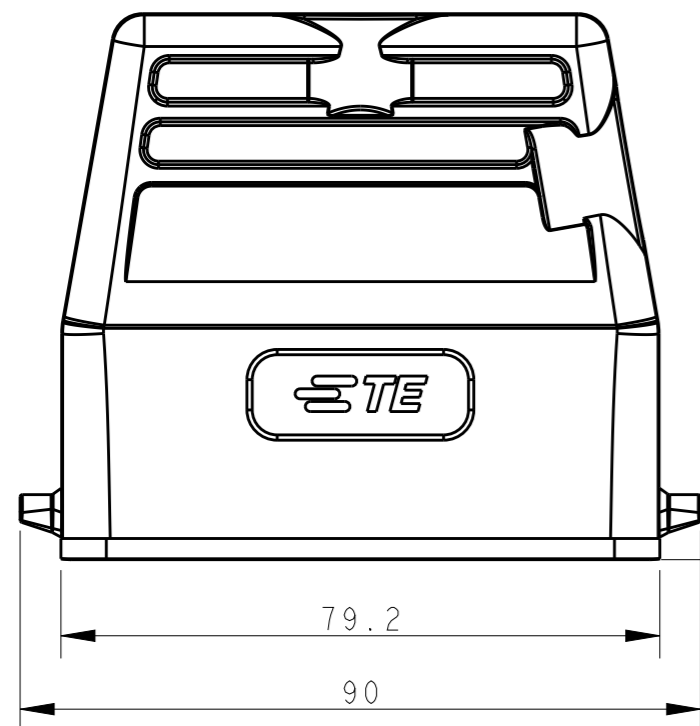
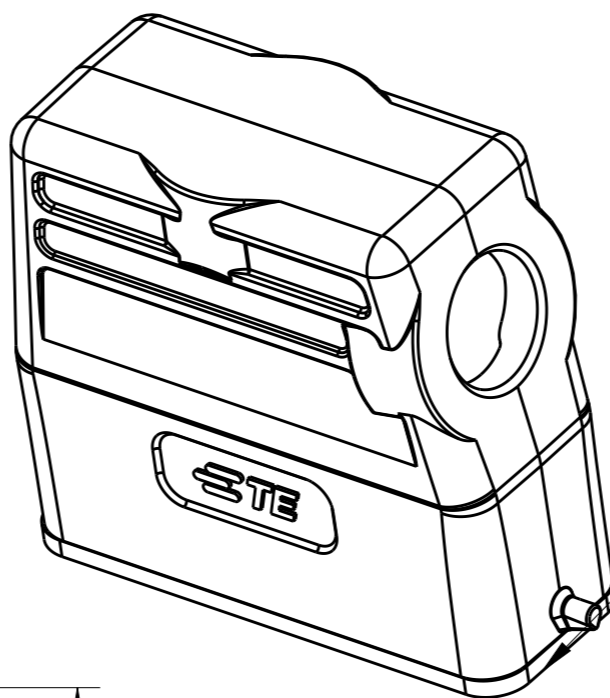
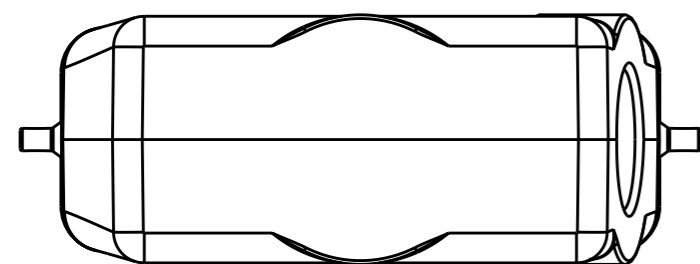
FOR "T1339160116-100"
SEAL FIXED BY GLUE

NOTES:


- 1. TECHNICAL CHARACTERISTICS:
 BODY MATERIAL: DIE CAST ALUMINIUM ALLOY
 SURFACE TREATMENT: POWDER-COATED, GRAY
 OPERATION TEMPERATURE: -40-+125°C
 DEGREE OF PROTECTION: IP65 (MATED)

注释:

- 1. 技术参数:
 主体材料: 铝合金
 表面处理: 粉末喷涂, 灰色
 工作温度: -40-+125°C
 防护等级: IP65(配合)



T1339160111-000	H16A-TSH-PG11	PG11	-
T1339160116-000	H16A-TSH-PG16	PG16	-
T1339160116-100	H16A-TSH-PG16	PG16	SEAL FIXED BY GLUE
T1339160120-000	H16A-TSH-M20	M20	-
T1339160121-000	H16A-TSH-PG21	PG21	-
T1339160125-000	H16A-TSH-M25	M25	-
ASSEMBLY PART NUMBER	ASSEMBLY PART DESCRIPTION	PG/M	REMARK

THIS DRAWING IS A CONTROLLED DOCUMENT.		DWN 07MAY2015 DAVID LI	 TE Connectivity	
DIMENSIONS: mm		CHK 07MAY2015 CHRIS WANG		
TOLERANCES UNLESS OTHERWISE SPECIFIED:		APVD 07MAY2015 XU XIANG	NAME H16A-TSH-PG/M	
0 PLC ±-		PRODUCT SPEC 108-137010	SIZE	
1 PLC ±-		APPLICATION SPEC 114-137010	CAGE CODE	
2 PLC ±-		WEIGHT	DRAWING NO	
3 PLC ±-		CUSTOMER DRAWING	RESTRICTED TO	
4 PLC ±-			SCALE	
ANGLES ±-			SHEET	
FINISH			OF	
			REV	
			A	