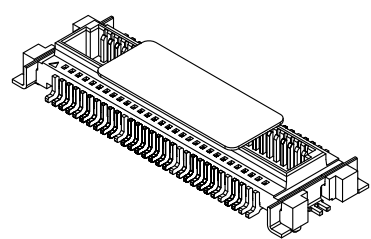
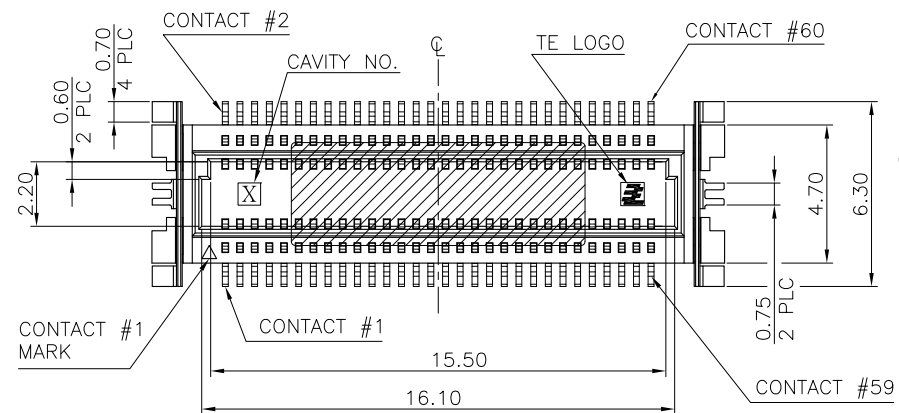


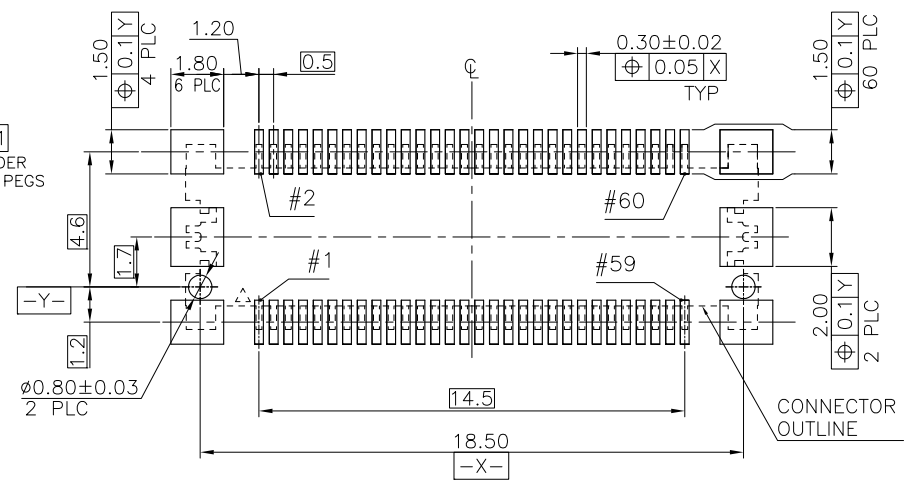
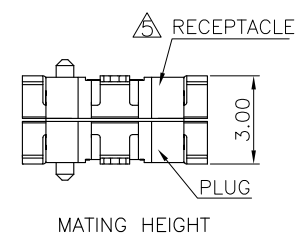
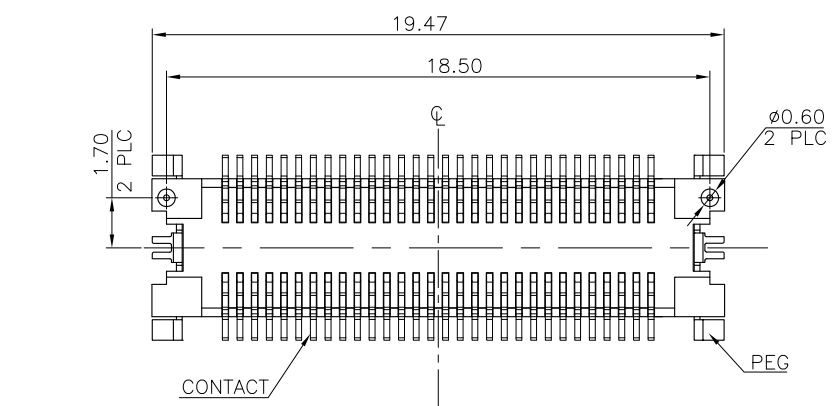
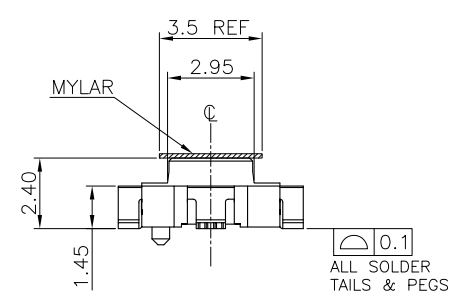
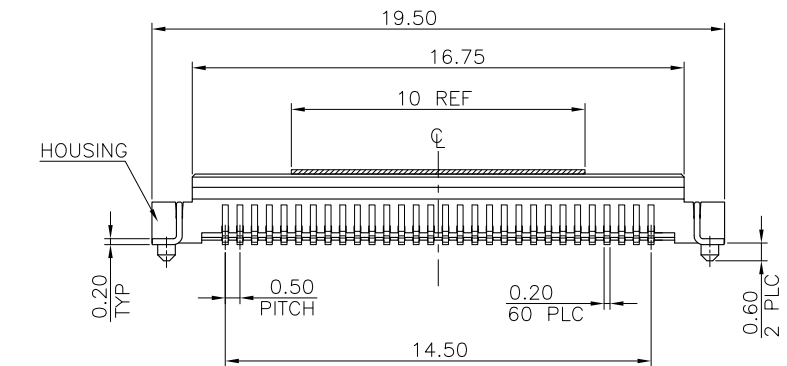
THIS DRAWING IS UNPUBLISHED. RELEASED FOR PUBLICATION
 © COPYRIGHT 2010 BY TYCO ELECTRONICS CORPORATION. ALL RIGHTS RESERVED.

LOC		DIST		REVISIONS					
DW		-		P	LTR	DESCRIPTION	DATE	DWN	APVD
				B		ECR-13-001067	18JAN13	AW	WK



NOTES:

- MATERIAL:
 HOUSING: LCP WITH 35% GF, UL94 V-0, NATURAL COLOR.
 CONTACTS: PHOSPHOR BRONZE.
 PEGS: BRASS.
 MYLAR: POLYSTYRENES, ORANGE COLOR.
 - FINISH:
 CONTACTS: 0.0254µm [1µ"] MIN. GOLD PLATED OVER 1.27µm [50µ"] MIN. NICKEL ON ENTIRE CONTACT.
 PEGS: 3.05µm [120µ"] MIN. MATTE-TIN OVER 1.27µm [50µ"] MIN. NICKEL.
 - REFLOW SOLDER CAPABLE TO 260°C PER TEC-109-201, CONDITION B.
 - SUBSTANCE RESTRICTIONS FOR LOW HALOGEN (BY WEIGHT):
 BROMINE (Br) ≤ 900 PPM (0.09%)
 CHLORINE (Cl) ≤ 900 PPM (0.09%)
 TOTAL CONCENTRATION OF CHLORINE (Cl) + BROMINE (Br) ≤ 1500 PPM (0.15%)
- ⚠ MATING RECEPTACLE PART NUMBER: 2041315-1.



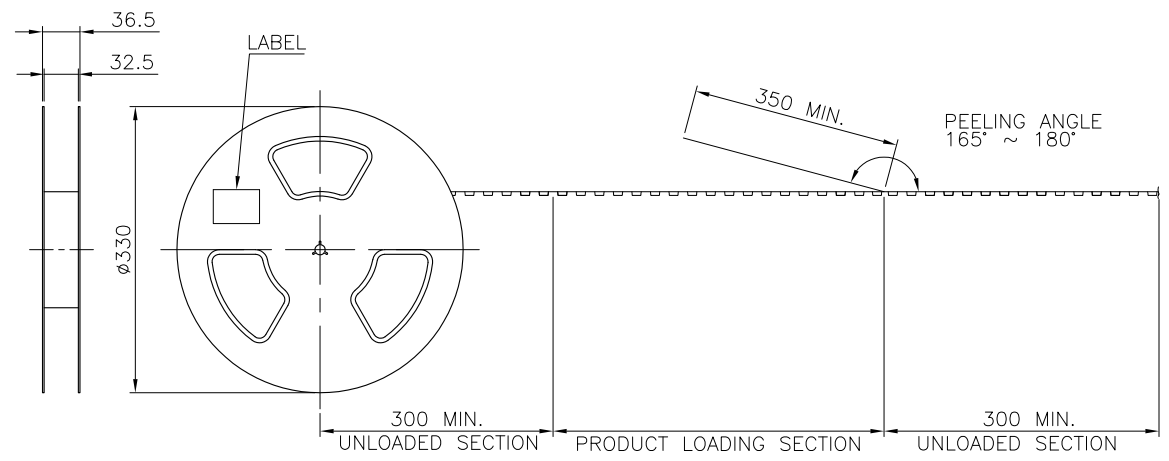
TOLERANCE: ±0.05
 RECOMMENDED PCB LAYOUT
 (TOP VIEW)

2041314-1
 PART NUMBER

THIS DRAWING IS A CONTROLLED DOCUMENT.		DWN	A. WU	02NOV2010	TE Connectivity			
DIMENSIONS: MM		CHK	S. CHIEN	02NOV2010				
TOLERANCES UNLESS OTHERWISE SPECIFIED:		APVD	W. KODAMA	02NOV2010	NAME 0.5 PITCH BOARD-TO-BOARD CONNECTOR, SMT, 60 POSITION, PLUG			
0 PLC ±0.5 1 PLC ±0.3 2 PLC ±0.2 3 PLC ±0.15 4 PLC ±0.1 ANGLES ± 3°		PRODUCT SPEC	108-57849					
MATERIAL SEE NOTE		APPLICATION SPEC	-		SIZE	CAGE CODE	DRAWING NO	RESTRICTED TO
FINISH SEE NOTE		WEIGHT	0.35 GRAMS		A3	00779	C=2041314	-
		CUSTOMER DRAWING			SCALE	SHEET 1 of 2		REV B

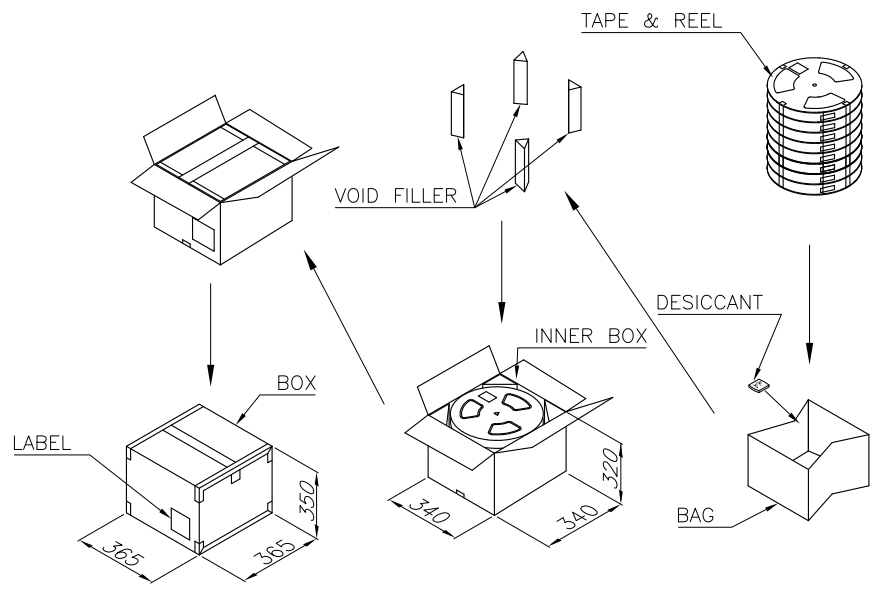
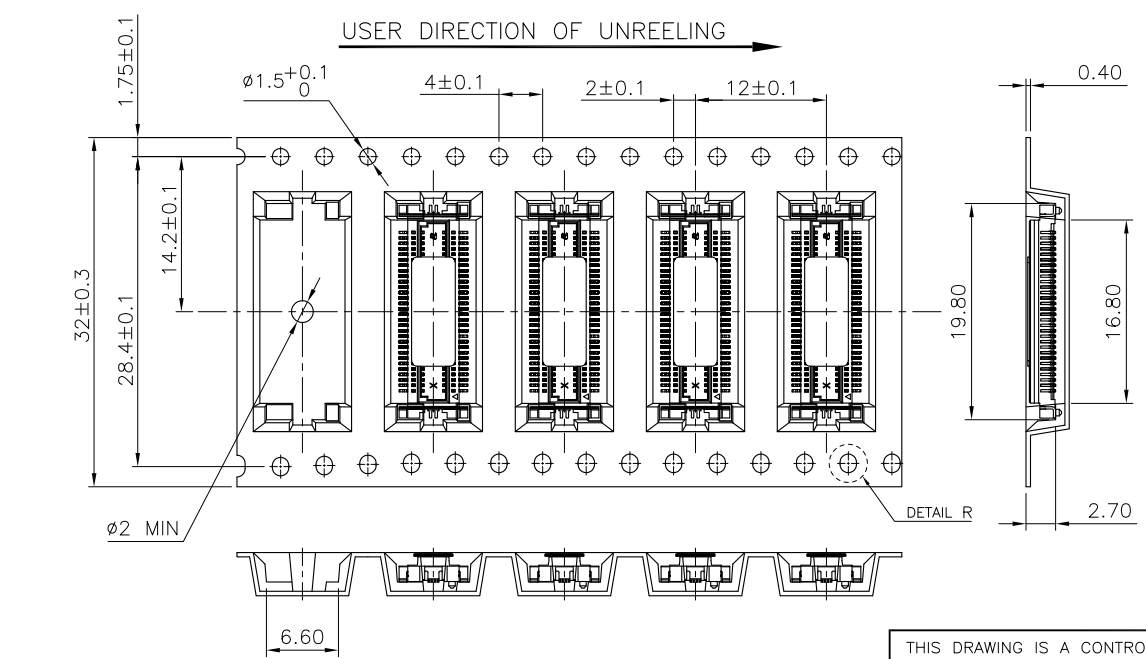
THIS DRAWING IS UNPUBLISHED. RELEASED FOR PUBLICATION
 © COPYRIGHT 2010 BY TYCO ELECTRONICS CORPORATION. ALL RIGHTS RESERVED.

LOC	DIST	REVISIONS					
DW	-	P	LTR	DESCRIPTION	DATE	DWN	APVD
				SEE SHEET 1.			

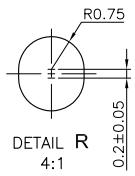


NOTES:

- MATERIAL:
 BOX: FIBREBOARD, CORRUGATED, DOUBLE WALL.
 COVER TAPE: PET, TRANSPARENT COLOR.
 CARRIER TAPE: POLYSTYRENES, TRANSPARENT COLOR.
 REEL: HIPS, BLUE COLOR.
 BAG: POLYETHYLENES, TRANSPARENT COLOR.
- EACH BAG SHALL BE INCLUDED DESICCANT.
- PEELING STRENGTH: 0.1 ~ 1.3 N (10 ~ 130 GRAMS).
- PEELING SPEED: 300 mm/min.



1500	8	12000 PCS	8.80 KG	4.20 KG
PCS/TAPE	REELS/BOX	QUANTITY	GROSS WEIGHT	NET WEIGHT



THIS DRAWING IS A CONTROLLED DOCUMENT.

DIMENSIONS: MM	TOLERANCES UNLESS OTHERWISE SPECIFIED:	DWN A. WU 02NOV2010	TE Connectivity 0.5 PITCH BOARD-TO-BOARD CONNECTOR, SMT, 60 POSITION, PLUG
		CHK S. CHIEN 02NOV2010	
		APVD W. KODAMA 02NOV2010	
		NAME	
		PRODUCT SPEC	
		APPLICATION SPEC	RESTRICTED TO
MATERIAL	FINISH	WEIGHT	SIZE A3
			CAGE CODE 00779
			DRAWING NO C=2041314
CUSTOMER DRAWING			SCALE
			SHEET 2 of 2
			REV B