

# Customer Information Sheet

DRAWING No.: M40-320XX45R

SHEET 3 OF 4

IF IN DOUBT - ASK

(C)

NOT TO SCALE

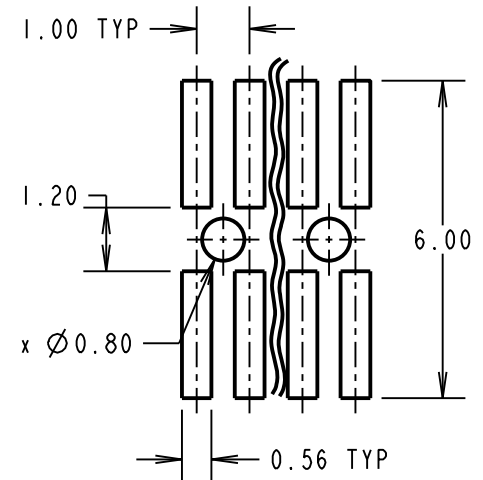
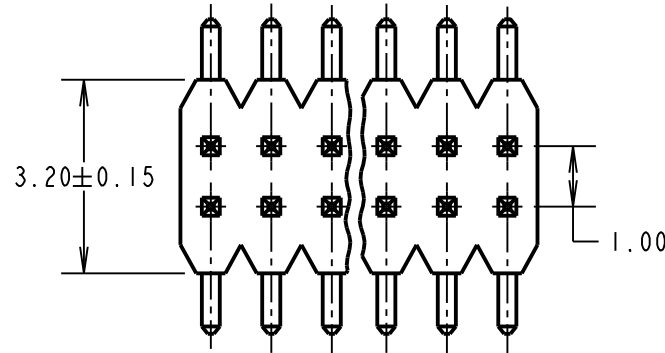
THIRD ANGLE PROJECTION

ALL DIMENSIONS IN mm

**SPECIFICATIONS:**

**MATERIAL:**  
 MOULDING = GLASS FILLED NYLON 6T  
 UL94V-0, BLACK  
 CONTACTS = BRASS  
**FINISH:**  
 45 = GOLD FLASH OVER NICKEL  
**ELECTRICAL:**  
 CURRENT RATING = 1.0A  
 CONTACT RESISTANCE = 30 mΩ MAX  
 INSULATION RESISTANCE = 1000 MΩ MIN  
**MECHANICAL:**  
 DURABILITY = 300 OPERATIONS  
 DIELECTRIC STRENGTH = 500V AC/DC  
**ENVIRONMENTAL:**  
 TEMPERATURE RANGE = -40°C TO +105°C  
 FOR COMPLETE SPECIFICATION, SEE  
 COMPONENT SPECIFICATION C026XX (LATEST ISSUE)

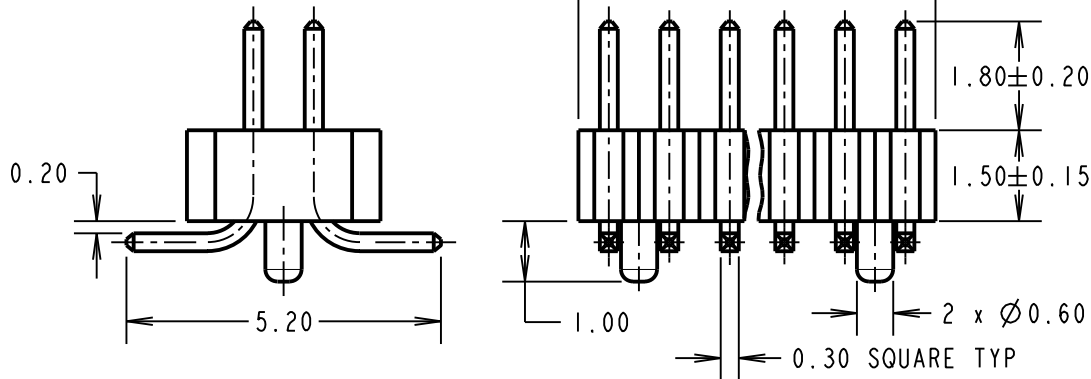
**RECOMMENDED PCB LAYOUT**



No. OF WAYS PER ROW ± 0.30

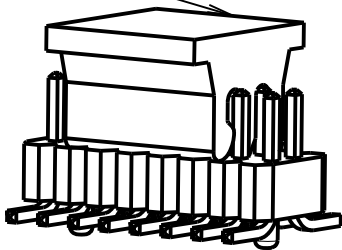
No. OF WAYS PER ROW  
 - 1.00 ± 0.20

1.00 ± 0.10 TYP



**ORDER CODE:**  
**M40-320XX45R**  
 No. OF WAYS PER ROW  
 03, 04, 05, 06, 08, 10, 20  
 25  
 FINISH  
 45 - GOLD

CAP PLACED CENTRALLY  
 SEE NOTE 3



**NOTES:**

- ALL TOLERANCES ARE ±0.25 UNLESS OTHERWISE STATED.
- CAP REMOVED FROM MAIN VIEWS FOR CLARITY, PART COMES FITTED WITH CAP. SEE SHEET 4 FOR CAP DETAILS.

SB	2	02.05.12	11714
NAME	ISS.	DATE	C/NOTE
APPROVED: S.BENNETT			
CHECKED: M.PLESTED			
DRAWN: R.ADDE			
CUSTOMER REF.:			
ASSEMBLY DRG:			

**HARWIN**

www.harwin.com  
 technical@harwin.com

THIS DRAWING AND ANY INFORMATION OR DESCRIPTIVE MATTER SET OUT HEREON ARE CONFIDENTIAL AND COPYRIGHT PROPERTY OF THE HARWIN GROUP AND MUST NOT BE DISCLOSED, LOANED, COPIED OR USED FOR MANUFACTURING, TENDERING OR FOR ANY OTHER PURPOSE WITHOUT THEIR WRITTEN PERMISSION.

**TOLERANCES**  
~~X.X = ± 1mm~~  
~~X.XX = ± 0.25mm~~  
~~X.XXX = ± 0.10mm~~  
~~X.XXXX = ± 0.01mm~~  
 ANGLES = ± 5°  
 UNLESS STATED

**MATERIAL:**

SEE ABOVE

**FINISH:**

SEE ABOVE

**S/AREA:**

mm<sup>2</sup>

**TITLE:** 1.00mm PITCH DIL  
 SMT PIN HEADER ASSEMBLY  
 (TAPE & REEL)

**DRAWING NUMBER:**

**M40-320XX45R**

SHT  
 3  
 OF  
 4

# Customer Information Sheet

DRAWING No.: M40-320XX45R

SHEET 4 OF 4

IF IN DOUBT - ASK

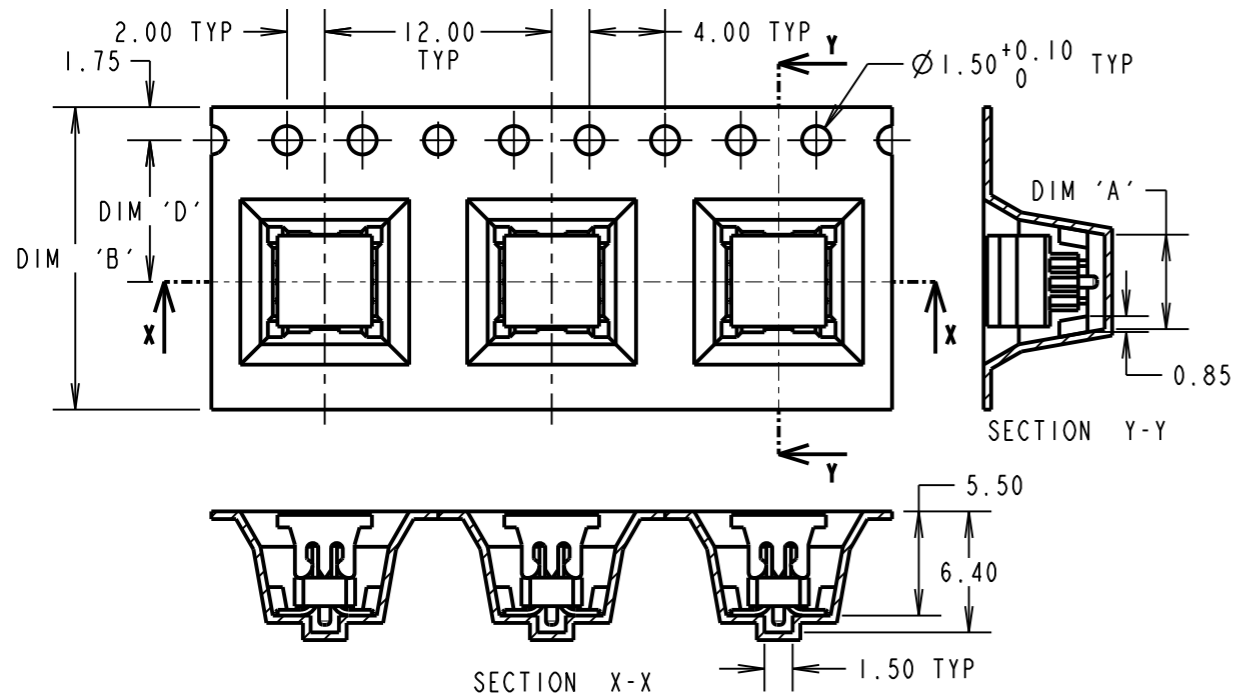
©

NOT TO SCALE

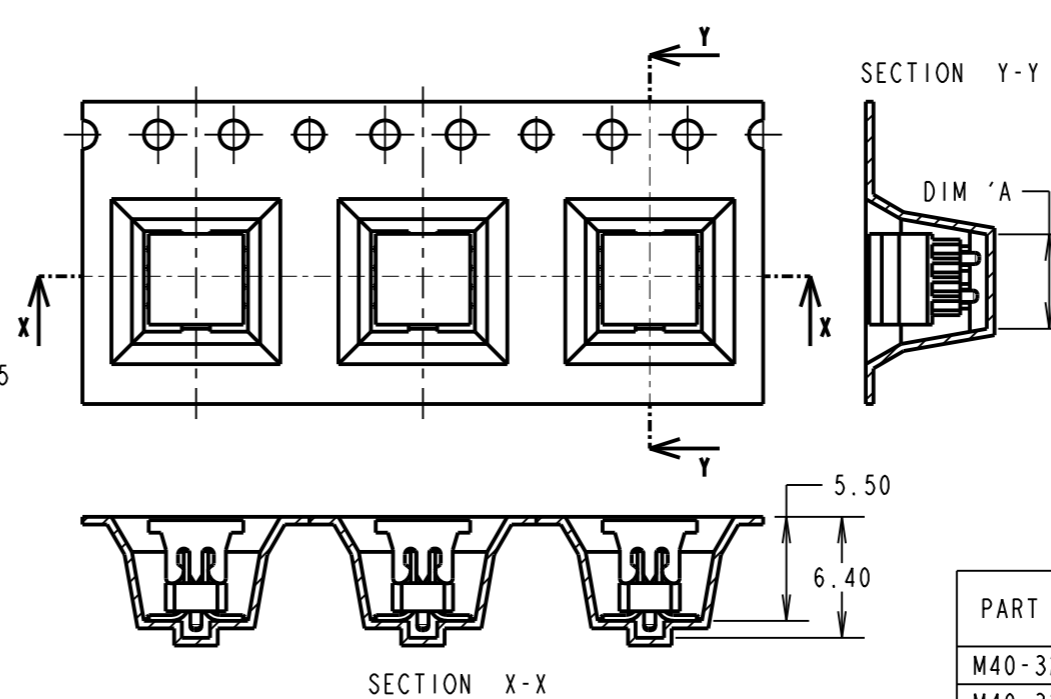
THIRD ANGLE PROJECTION

ALL DIMENSIONS IN mm

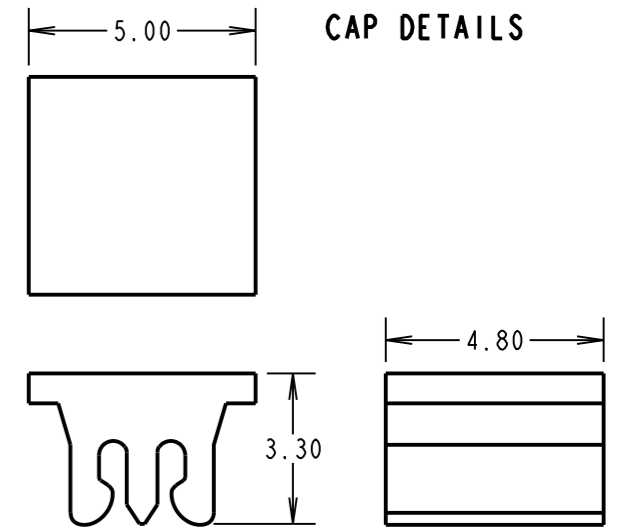
## 3 WAY STYLE



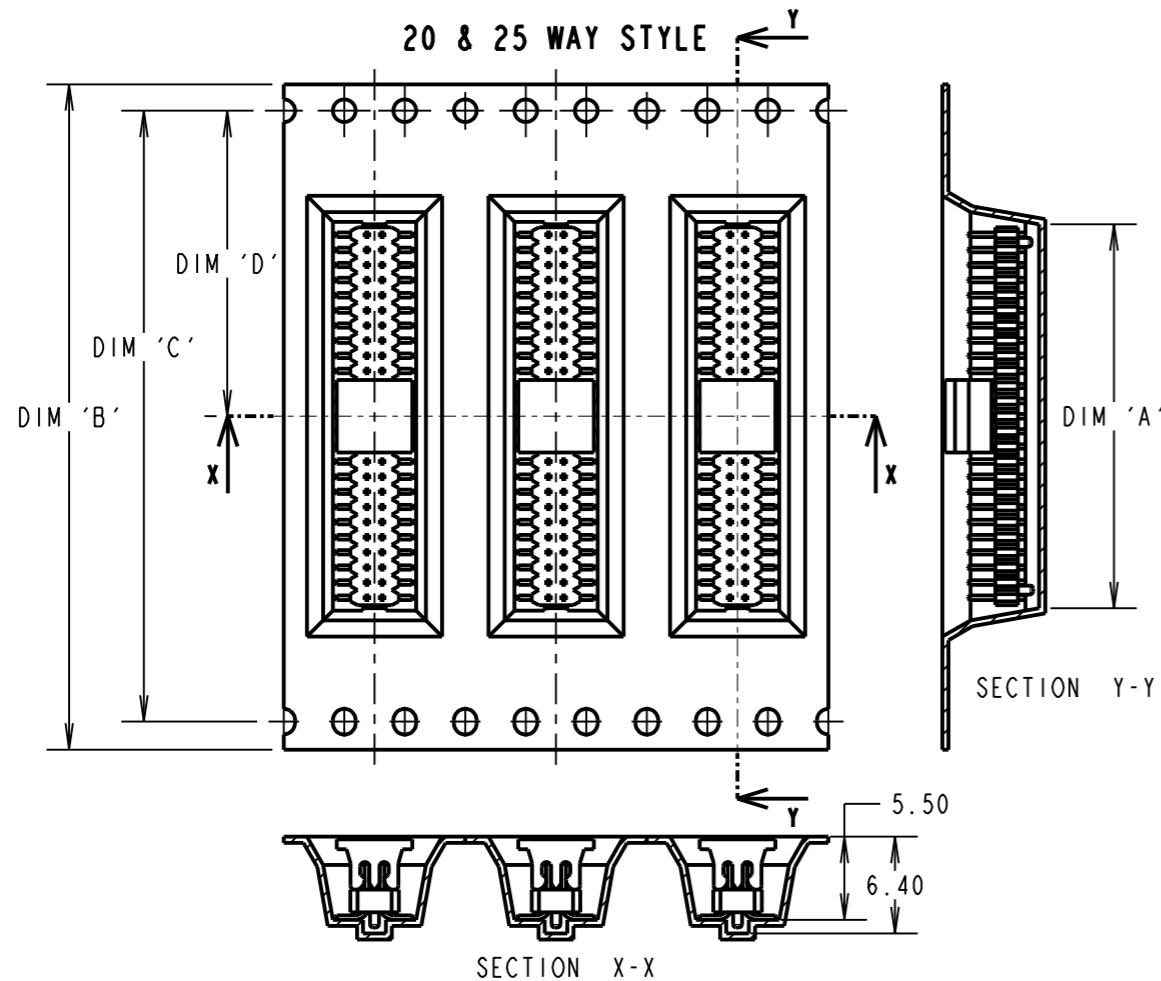
## 4 TO 10 WAY STYLE



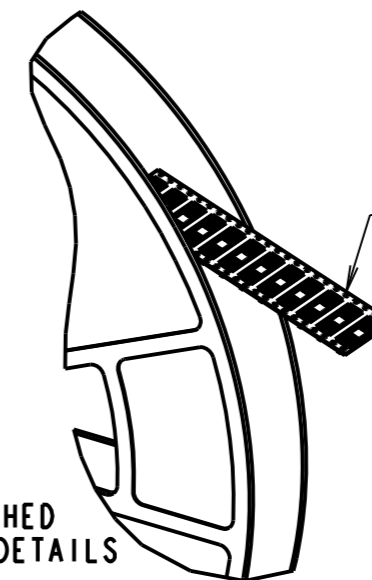
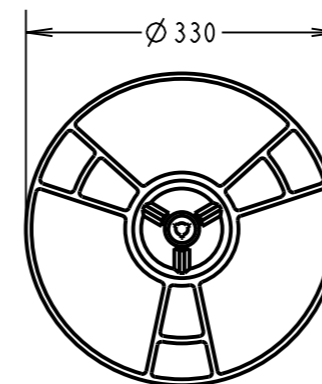
## CAP DETAILS



## 20 & 25 WAY STYLE



## REEL DETAILS



FINISHED REELING DETAILS

PART NUMBER	DIM 'A'	DIM 'B'	DIM 'C'	DIM 'D'
M40-3200345R	5.00	16.00±0.30	X	7.50±0.10
M40-3200445R	5.00			
M40-3200545R	5.40			
M40-3200645R	6.40	24.00±0.30	X	11.50±0.10
M40-3200845R	8.40			
M40-3201045R	10.40	44.00±0.30	40.40	20.20±0.15
M40-3202045R	20.40			
M40-3202545R	25.40			

ORDER CODE:

**M40-320XX45R**

No. OF WAYS PER ROW  
03,04,05,06,08,10,20,25

FINISH:  
45 = GOLD FLASH OVER NICKEL

SB	ISS.	DATE	C/NOTE
2		02.05.12	11714
APPROVED:		S.BENNETT	
CHECKED:		M.PLESTED	
DRAWN:		R.ADE	
CUSTOMER REF.:			
ASSEMBLY DRG:			

### NOTES:

- FOR CONNECTOR DIMENSIONS, SEE SHEET 3
- TAPE & REEL TO BE IN ACCORDANCE WITH EIA-481 (ELECTRONIC INDUSTRIES ASSOCIATION)
- PICK & PLACE CAP IS THE SAME FOR ALL SIZES.
- QUANTITY PER REEL FOR ALL SIZES = 800.
- TAPE THICKNESS FOR ALL WAYS IS  $0.40 \pm 0.10$

**HARWIN**

www.harwin.com  
technical@harwin.com

THIS DRAWING AND ANY INFORMATION OR DESCRIPTIVE MATTER SET OUT HEREON ARE CONFIDENTIAL AND COPYRIGHT PROPERTY OF THE HARWIN GROUP AND MUST NOT BE DISCLOSED, LOANED, COPIED OR USED FOR MANUFACTURING, TENDERING OR FOR ANY OTHER PURPOSE WITHOUT THEIR WRITTEN PERMISSION.

### TOLERANCES

X. = ±1mm  
X.X = ±0.25mm  
X.XX = ±0.10mm  
X.XXX = ±0.01mm  
ANGLES = ±5°  
UNLESS STATED

### MATERIAL:

SEE ABOVE

### FINISH:

SEE ABOVE

### S/AREA:

mm<sup>2</sup>

TITLE: 1.00mm PITCH DIL  
SMT PIN HEADER ASSEMBLY  
(TAPE & REEL)

DRAWING NUMBER:

**M40-320XX45R**

SHT  
4 OF 4